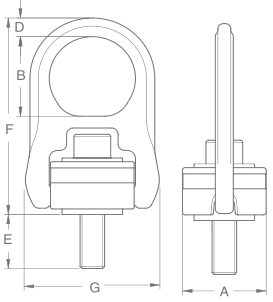


KALIP ELEMENLARI

DÖNER MAPA

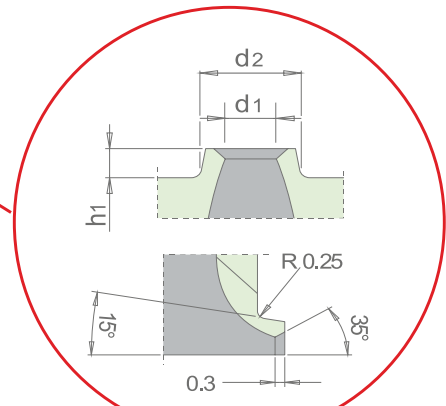
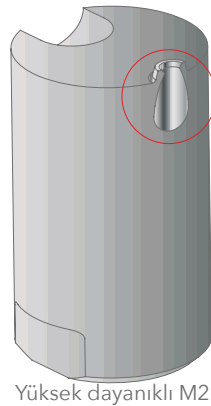


Model	Kaldırma Kapasitesi	Civata Boyutu	Ölçüler(mm)					
			E	A	B	D	F	G
8-203-004	500 Kg	M8x1.25x50	17.0	40	41	9	102	65
8-203-005	550 Kg	M10x1.50x45	11.0	40	41	9	102	65
8-203-005L	550 Kg	M10x1.50x60	26.0	40	41	9	102	65
8-203-010	1300 Kg	M12x1.75x60	15.0	65	64	15	158	105
8-203-010L	1300 Kg	M12x1.75x75	30.0	65	64	15	158	105
8-203-019	2400 Kg	M16x2.00x65	20.0	65	64	15	158	105
8-203-019L	2400 Kg	M16x2.00x80	35.0	65	64	15	158	105
8-203-021	2700 Kg	M20x2.50x70	25.0	65	64	15	158	105
8-203-021L	2700 Kg	M20x2.50x90	45.0	65	64	15	158	105
8-203-030	3750 Kg	M20x2.50x80	25.0	85	79	19	204	134
8-203-030L	3750 Kg	M20x2.50x100	45.0	85	79	19	204	134
8-203-042	5250 Kg	M24x3.00x80	26.0	85	79	19	204	134
8-203-042L	5250 Kg	M24x3.00x110	56.0	85	79	19	204	134
8-203-070	8750 Kg	M30x3.50x140	81.0	100	100	25	241	160
8-203-110	13750 Kg	M36x4.00x160	76.0	120	111	30	286	194
8-203-125	15600 Kg	M42x4.50x180	95.0	120	111	30	286	220
8-203-135	16900 Kg	M48x5.00x190	105.0	120	111	30	286	220
8-203-155	19400 Kg	M56x5.50x180	94.0	138	109	34	308	241
8-203-223	27900 Kg	M64x6.00x190	98.0	138	100	38	312	241
8-203-315	39400 Kg	M72x6.00x240	131.0	166	127	45	377	300

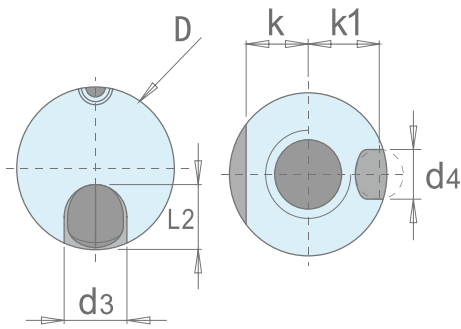
YUVARLAK TİP MUZ YOLLUK SİSTEMİ



• Malzeme : 1.3343



Takkeli Model



Takkeli modelleri belirtir.

Sip. No.	D	k	d1	d2	d3	d4	k1	h1	L1	L2	M
HGR0806S2	8	6	0.6	1.9	3	-	-	0.6	16	3.25	4
HGR0808S2			0.8	2.1							
HGR1008S2	10	8	0.8	2.2	4	3	4.6	0.8	15	4	5
HGR1010S2			1.0	2.3							
HGR1012S2			1.2	2.6							
HGR1014S2			1.4	2.7							
HGR1016S2			1.6	3.0							
HGR1208S2	12	10	0.8	2.1	5	4	5.4	0.8	14	5	5
HGR1210S2			1.0	2.3							
HGR1212S2			1.2	2.6							
HGR1214S2			1.4	2.7							
HGR1216S2			1.6	3.0							
HGR1218S2			1.8	3.1							
HGR1220S2			2.0	3.4							
HGR1412S2	14	12	1.2	2.5	6	4	6.4	0.8	13	6	6
HGR1414S2			1.4	2.7							
HGR1416S2			1.6	3.0							
HGR1418S2			1.8	3.1							
HGR1420S2			2.0	3.4							
HGR1422S2			2.2	3.5							
HGR1424S2			2.4	3.8							
HGR1428S2			2.8	4.2							

