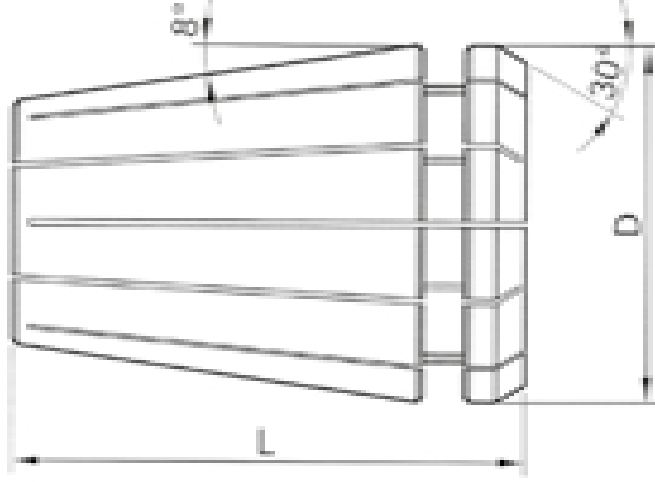


ER 8 PENSLER

DIN 6499 / ISO 15488-B



ER 8 CLASS 2

| Sip. No. | Sıkma çapı mm |
|----------|---------------|
| ER080102 | 1.0-0.5 |
| ER080152 | 1.5-1.0 |
| ER080202 | 2.0-1.5 |
| ER080252 | 2.5-2.0 |
| ER080302 | 3.0-2.5 |
| ER080352 | 3.5-3.0 |
| ER080402 | 4.0-3.5 |
| ER080452 | 4.5-4.0 |
| ER080502 | 5.0-4.5 |