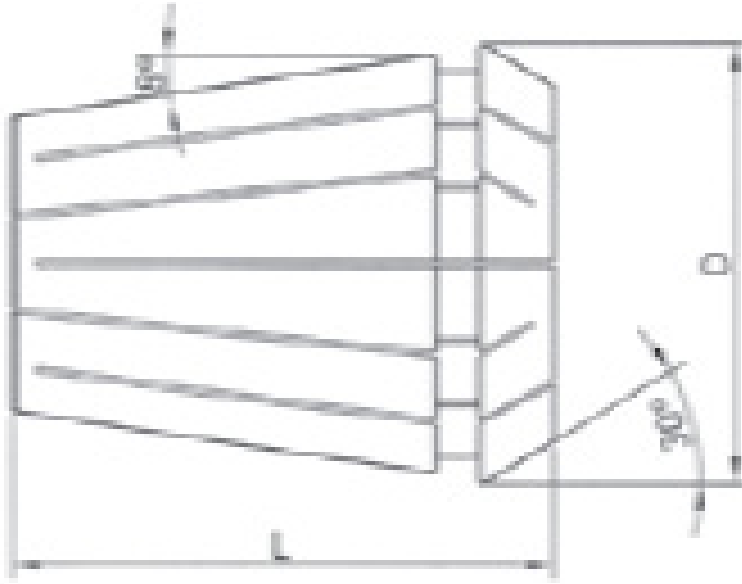


ER 11 PENSLER

DIN 6499 / ISO 15488-B



ER 11 CLASS 1

Sip. No.	Sıkma Çapı Ømm
ER110101	1.0-0.5
ER110151	1.5-1.0
ER110201	2.0-1.5
ER110251	2.5-2.0
ER110301	3.0-2.5
ER110351	3.5-3.0
ER110401	4.0-3.5
ER110451	4.5-4.0
ER110501	5.0-4.5
ER110551	5.5-5.0
ER110601	6.0-5.5
ER110651	6.5-6.0
ER110701	7.0-6.5
ER110751*	7.5-7.3
ER110801*	8.0-7.8