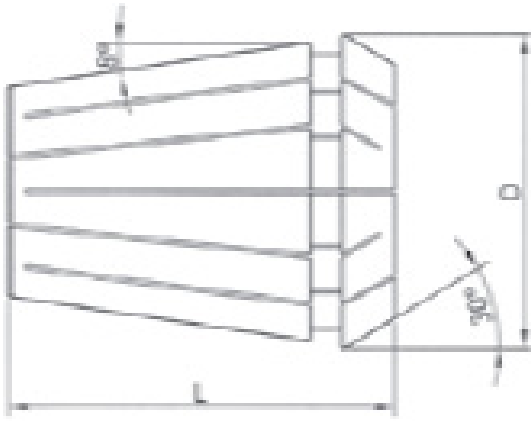


ER 16 PENSLER



ER 16 CLASS 2

Sip. No.	Sıkma çapı Ømm
ER160102	1.0-0.5
ER160152	1.5-1.0
ER160202	2.0-1.5
ER160252	2.5-2.0
ER160302	3.0-2.5
ER160352	3.5-2.5
ER160402	4.0-3.0
ER160452	4.5-3.5
ER160502	5.0-4.0
ER160552	5.5-4.5
ER160602	6.0-5.0
ER160652	6.5-5.5
ER160702	7.0-6.0
ER160752	7.5-6.5
ER160802	8.0-7.0