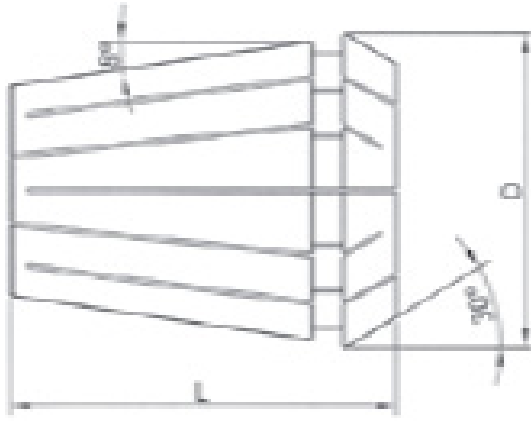


ER 20 PENSLELER



ER 20 CLASS 1

Sip. No.	Sıkma çapı Ømm
ER200101	1.0-0.5
ER200151	1.5-1.0
ER200201	2.0-1.5
ER200251	2.5-2.0
ER200301	3.0-2.5
ER200351	3.5-2.5
ER200401	4.0-3.0
ER200451	4.5-3.5
ER200501	5.0-4.0
ER200551	5.5-4.5
ER200601	6.0-5.0
ER200651	6.5-5.5
ER200701	7.0-6.0
ER200751	7.5-6.5
ER200801	8.0-7.0
ER200851	8.5-7.5
ER200901	9.0-8.0
ER200951	9.5-8.5
ER201001	10.0-9.0
ER201051	10.5-9.5
ER201101	11.0-10.0
ER201151	11.5-10.5
ER201201	12.0-11.0
ER201251	12.5-11.5
ER201301	13.0-12.0
ER201351*	13.5-13.3
ER201401*	14.0-13.8
ER201451*	14.5-14.3
ER201501*	15.0-14.8
ER201551*	15.5-15.3
ER201601*	16.0-15.8