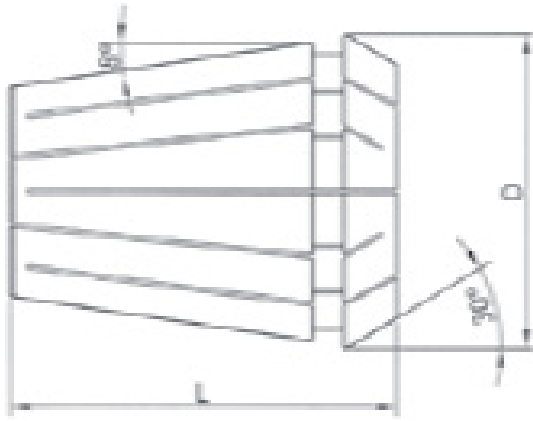


# ER 20 PENSLER



## ER 20 CLASS 2

| Sip. No.  | Sıkma çapı Ømm |
|-----------|----------------|
| ER200102  | 1.0-0.5        |
| ER200152  | 1.5-1.0        |
| ER200202  | 2.0-1.5        |
| ER200252  | 2.5-2.0        |
| ER200302  | 3.0-2.5        |
| ER200352  | 3.5-2.5        |
| ER200402  | 4.0-3.0        |
| ER200452  | 4.5-3.5        |
| ER200502  | 5.0-4.0        |
| ER200552  | 5.5-4.5        |
| ER200602  | 6.0-5.0        |
| ER200652  | 6.5-5.5        |
| ER200702  | 7.0-6.0        |
| ER200752  | 7.5-6.5        |
| ER200802  | 8.0-7.0        |
| ER200852  | 8.5-7.5        |
| ER200902  | 9.0-8.0        |
| ER200952  | 9.5-8.5        |
| ER201002  | 10.0-9.0       |
| ER201052  | 10.5-9.5       |
| ER201102  | 11.0-10.0      |
| ER201152  | 11.5-10.5      |
| ER201202  | 12.0-11.0      |
| ER201252  | 12.5-11.5      |
| ER201302  | 13.0-12.0      |
| ER201352* | 13.5-13.3      |
| ER201402* | 14.0-13.8      |
| ER201452* | 14.5-14.3      |
| ER201502* | 15.0-14.8      |
| ER201552* | 15.5-15.3      |
| ER201602* | 16.0-15.8      |