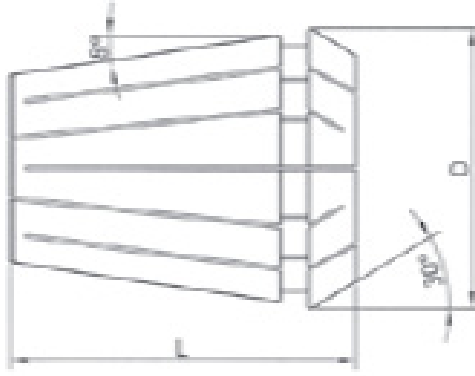


## ER 25 PENSLER



### ER 25 CLASS 1

Sip. No.	Sıkma çapı Ømm
ER250101	1.0-0.5
ER250151	1.5-1.0
ER250201	2.0-1.5
ER250251	2.5-2.0
ER250301	3.0-2.5
ER250351	3.5-2.5
ER250401	4.0-3.0
ER250451	4.5-3.5
ER250501	5.0-4.0
ER250551	5.5-4.5
ER250601	6.0-5.0
ER250651	6.5-5.5
ER250701	7.0-6.0
ER250751	7.5-6.5
ER250801	8.0-7.0
ER250851	8.5-7.5
ER250901	9.0-8.0
ER250951	9.5-8.5
ER251001	10.0-9.0
ER251051	10.5-9.5
ER251101	11.0-10.0
ER251151	11.5-10.5
ER251251	12.0-11.0
ER251251	12.5-11.5
ER251301	13.0-12.0
ER251351	13.5-12.5
ER251401	14.0-13.0
ER251451	14.5-13.5
ER251501	15.0-14.0
ER251551	15.5-14.5
ER251601	16.0-15.0
ER251651*	16.5-16.3
ER251701*	17.0-16.8
ER251751*	17.5-17.3
ER251801*	18.0-17.8
ER251851*	18.5-18.3
ER251901*	19.0-18.8
ER251951*	19.5-19.3
ER252001*	20.0-19.8