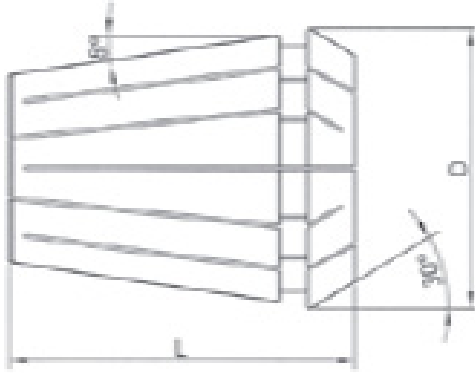


ER 25 PENSLER



ER 25 CLASS 2

Sip. No.	Sıkma çapı Ømm
ER250102	1.0-0.5
ER250152	1.5-1.0
ER250202	2.0-1.5
ER250252	2.5-2.0
ER250302	3.0-2.5
ER250352	3.5-2.5
ER250402	4.0-3.0
ER250452	4.5-3.5
ER250502	5.0-4.0
ER250552	5.5-4.5
ER250602	6.0-5.0
ER250652	6.5-5.5
ER250702	7.0-6.0
ER250752	7.5-6.5
ER250802	8.0-7.0
ER250852	8.5-7.5
ER250902	9.0-8.0
ER250952	9.5-8.5
ER251002	10.0-9.0
ER251052	10.5-9.5
ER251102	11.0-10.0
ER251152	11.5-10.5
ER251252	12.0-11.0
ER251252	12.5-11.5
ER251302	13.0-12.0
ER251352	13.5-12.5
ER251402	14.0-13.0
ER251452	14.5-13.5
ER251502	15.0-14.0
ER251552	15.5-14.5
ER251602	16.0-15.0
ER251652*	16.5-16.3
ER251702*	17.0-16.8
ER251752*	17.5-17.3
ER251802*	18.0-17.8
ER251852*	18.5-18.3
ER251902*	19.0-18.8
ER251952*	19.5-19.3
ER252002*	20.0-19.8