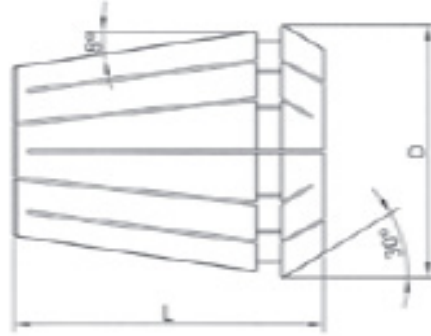


ER 32 PENSLER



ER 32 CLASS 1

Sip. No.	Sıkma çapı Ømm
ER320101	1.0-0.5
ER320151	1.5-1.0
ER320201	2.0-1.5
ER320251	2.5-2.0
ER320301	3.0-2.5
ER320351	3.5-2.5
ER320401	4.0-3.0
ER320451	4.5-3.5
ER320501	5.0-4.0
ER320551	5.5-4.5
ER320601	6.0-5.0
ER320651	6.5-5.5
ER320701	7.0-6.0
ER320751	7.5-6.5
ER320801	8.0-7.0
ER320851	8.5-7.5
ER320901	9.0-8.0
ER320951	9.5-8.5
ER321001	10.0-9.0
ER321051	10.5-9.5
ER321101	11.0-10.0
ER321151	11.5-10.5
ER321251	12.0-11.0
ER321251	12.5-11.5
ER321301	13.0-12.0
ER321351	13.5-12.5
ER321401	14.0-13.0
ER321451	14.5-13.5
ER321501	15.0-14.0
ER321551	15.5-14.5
ER321601	16.0-15.0
ER321651	16.5-15.5
ER321701	17.0-16.0
ER321751	17.5-16.5
ER321801	18.0-17.0
ER321851	18.5-17.5
ER321901	19.0-18.0
ER321951	19.5-18.5
ER322001	20.0-19.0
ER322101*	21.0-20.8
ER322201*	22.0-21.8
ER322301*	23.0-22.8
ER322401*	24.0-23.8
ER322501*	25.0-24.8