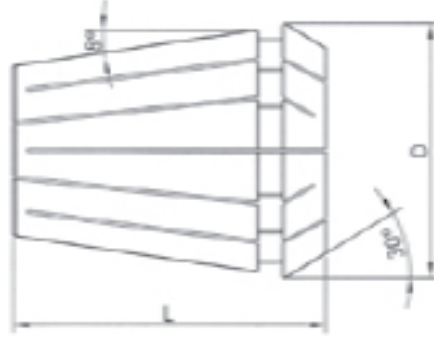


## ER 32 PENSLER



**DIN 6499 / ISO 15488-B**



### ER 32 CLASS 2

Sip. No.	Sıkma çapı Ømm
ER320102	1.0-0.5
ER320152	1.5-1.0
ER320202	2.0-1.5
ER320252	2.5-2.0
ER320302	3.0-2.5
ER320352	3.5-2.5
ER320402	4.0-3.0
ER320452	4.5-3.5
ER320502	5.0-4.0
ER320552	5.5-4.5
ER320602	6.0-5.0
ER320652	6.5-5.5
ER320702	7.0-6.0
ER320752	7.5-6.5
ER320802	8.0-7.0
ER320852	8.5-7.5
ER320902	9.0-8.0
ER320952	9.5-8.5
ER321002	10.0-9.0
ER321052	10.5-9.5
ER321102	11.0-10.0
ER321152	11.5-10.5
ER321252	12.0-11.0
ER321252	12.5-11.5
ER321302	13.0-12.0
ER321352	13.5-12.5
ER321402	14.0-13.0
ER321452	14.5-13.5
ER321502	15.0-14.0
ER321552	15.5-14.5
ER321602	16.0-15.0
ER321652	16.5-15.5
ER321702	17.0-16.0
ER321752	17.5-16.5
ER321802	18.0-17.0
ER321852	18.5-17.5
ER321902	19.0-18.0
ER321952	19.5-18.5
ER322002	20.0-19.0
ER322102*	21.0-20.8
ER322202*	22.0-21.8
ER322302*	23.0-22.8
ER322402*	24.0-23.8
ER322502*	25.0-24.8