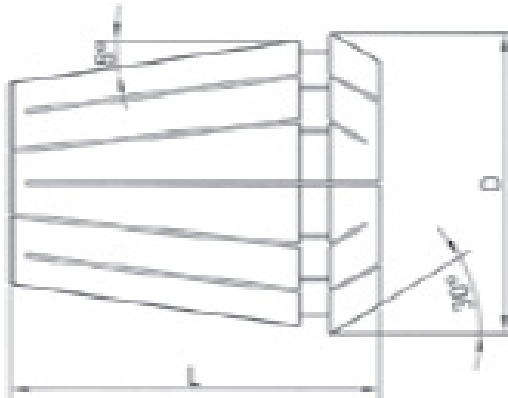
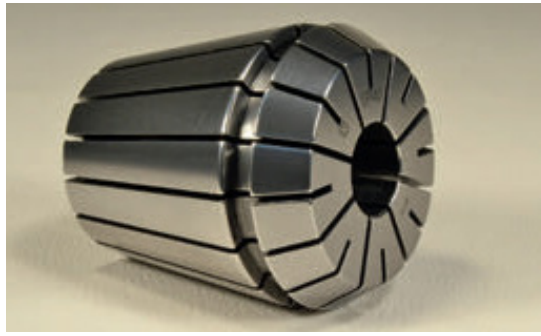


# ER 40 PENSLELER



## ER 40 CLASS 1

Sip. No.	Sıkma çapı Ømm
ER400101	1.0-0.5
ER400151	1.5-1.0
ER400201	2.0-1.5
ER400251	2.5-2.0
ER400301	3.0-2.5
ER400351	3.5-2.5
ER400401	4.0-3.0
ER400451	4.5-3.5
ER400501	5.0-4.0
ER400601	6.0-5.0
ER400701	7.0-6.0
ER400801	8.0-7.0
ER400901	9.0-8.0
ER401001	10.0-9.0
ER401101	11.0-10.0
ER401201	12.0-11.0
ER401301	13.0-12.0
ER401401	14.0-13.0
ER401501	15.0-14.0
ER401601	16.0-15.0
ER401701	17.0-16.0
ER401801	18.0-17.0
ER401901	19.0-18.0
ER402001	20.0-19.0
ER402101	21.0-20.0
ER402201	22.0-21.0
ER402301	23.0-22.0
ER402401	24.0-23.0
ER402501	25.0-24.0
ER402601	26.0-25.0
ER402701*	27.0-26.8
ER402801*	28.0-27.8
ER402901*	29.0-28.8
ER403001*	30.0-29.8
ER403101*	31.0-30.8
ER403201*	32.0-31.8