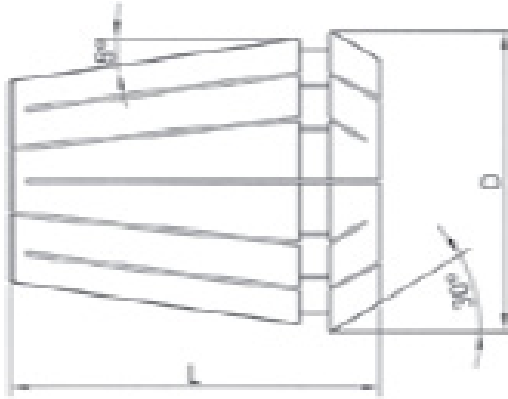
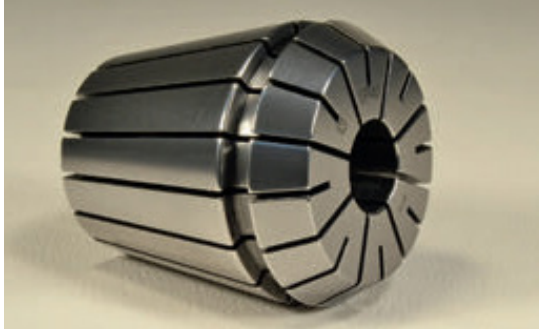


ER 40 PENSLELER



ER 40 CLASS 2

Sip. No.	Sıkma çapı Ømm
ER400102	1.0-0.5
ER400152	1.5-1.0
ER400202	2.0-1.5
ER400252	2.5-2.0
ER400302	3.0-2.5
ER400352	3.5-2.5
ER400402	4.0-3.0
ER400452	4.5-3.5
ER400502	5.0-4.0
ER400602	6.0-5.0
ER400702	7.0-6.0
ER400802	8.0-7.0
ER400902	9.0-8.0
ER401002	10.0-9.0
ER401102	11.0-10.0
ER401202	12.0-11.0
ER401302	13.0-12.0
ER401402	14.0-13.0
ER401502	15.0-14.0
ER401602	16.0-15.0
ER401702	17.0-16.0
ER401802	18.0-17.0
ER401902	19.0-18.0
ER402002	20.0-19.0
ER402102	21.0-20.0
ER402202	22.0-21.0
ER402302	23.0-22.0
ER402402	24.0-23.0
ER402502	25.0-24.0
ER402602	26.0-25.0
ER402702*	27.0-26.8
ER402802*	28.0-27.8
ER402902*	29.0-28.8
ER403002*	30.0-29.8
ER403102*	31.0-30.8
ER403202*	32.0-31.8