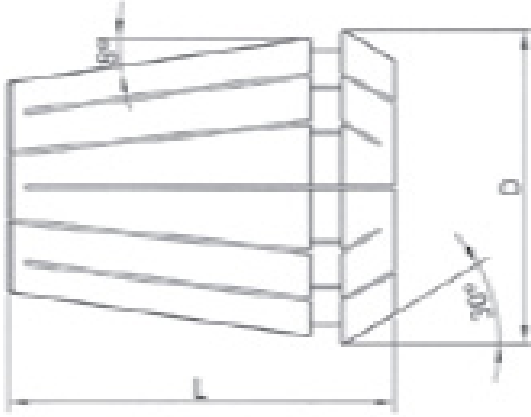


# ER 50 PENSLELER



## ER 32 CLASS 2

Sip. No.	Sıkma çapı Ømm
ER500602	6.0-5.0
ER500802	8.0-7.0
ER501002	10.0-9.0
ER501202	12.0-11.0
ER501402	14.0-12.0
ER501602	16.0-14.0
ER501802	18.0-16.0
ER502002	20.0-18.0
ER502202	22.0-20.0
ER502402	24.0-22.0
ER502502	25.0-23.0
ER502602	26.0-24.0
ER502802	28.0-26.0
ER503002	30.0-28.0
ER503202	32.0-30.0
ER503402	34.0-32.0
ER503602*	36.0-35.8
ER503802*	38.0-37.8
ER504002*	40.0-39.8