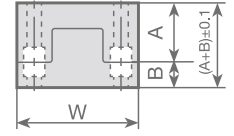
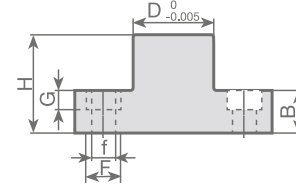
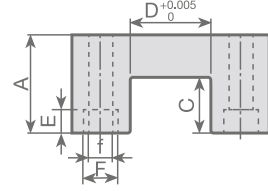
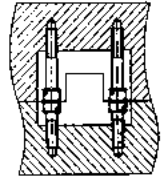
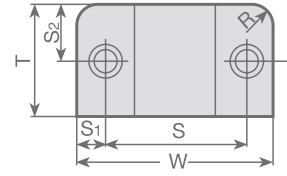
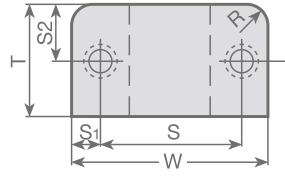


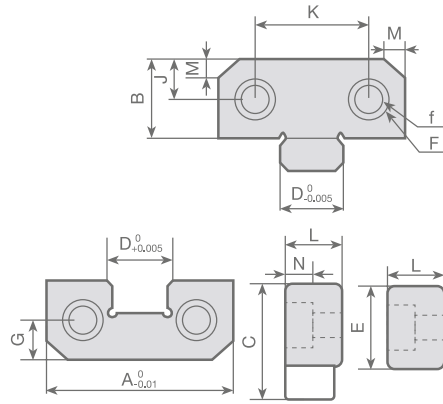
## MERKEZLEME BLOKLARI VE KALIP TAKVİMLERİ

## KÜP BLOK KİTLEME



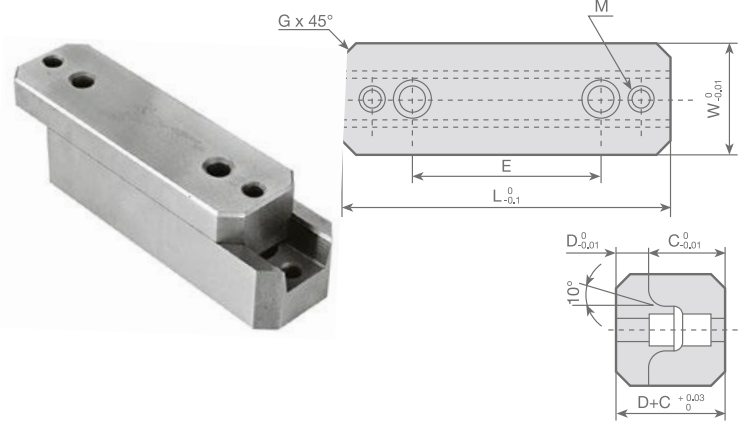
Sip. No.	W	T	A	B	C	D	E	M	F	f	G	H	R	S	S1	S2
LK 15	38.1	25.4	22.17	9.47	13.13	12.70	7	M5	10.5	6	7	22.1	7.0	25.4	6.35	12.7
LK 25	63.5	38.1	34.87	15.82	19.48	25.40	8	M6	12.0	7.2	8	34.8	8.5	44.45	9.53	19.05
LK 35	88.9	50.8	44.4	19.0	25.70	36.58	11	M8	15.5	10.5	11	44.2	9.5	63.5	12.7	25.4

## KARE BLOK KİTLEME



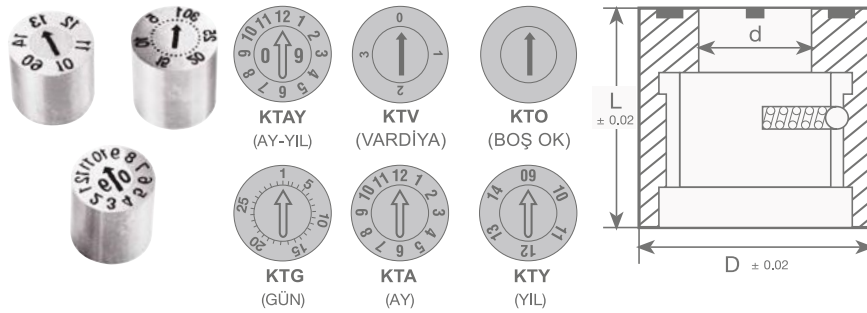
Sip. No.	A	B	C	D	E	F	f	G	J	K	L	M	N
PL 38	38	22	30	12	17	10.5	6.5	7	11	22	13	5	8
PL 50	50	21.5	30	17	21.5	10.5	6.5	11	11	34	16	5	8
PL 75	75	36	50	25	36	16.5	10.5	18	18	50	19	8	12
PL 100	100	45	65	35	45	16.5	10.5	22	22	70	19	10	12
PL 125	125	45	65	45	45	16.5	10.5	22	22	84	25	10	12

## UZUN KARE KİTLEME



Sip. No.	L	w	C	D	E	G	M
KYSO	50	25	17.5	8	36	5	M5
KY100	100	30	22	10	60	5	M6
KY150	150	40	25	13	100	5	M6

## KALIP TAKVİMLERİ



## YIL KALIP TAKVİMİ

Sip. No.	D(mm)	L	d	Sip. No.	D(mm)	L	d
KTY4	4	6	2.2	KTY10	10	10	4.7
KTY5	5	6	2.5	KTY12	12	10	6
KTY6	6	8	3	KTY16	16	12	7
KTY8	8	8	4	KTY20	20	14	10

## VARDİYA KALIP TAKVİMİ

Sip. No.	D(mm)	L	d
KTV4	4	6	2.2
KTV5	5	6	2.5
KTV6	6	8	3
KTV8	8	8	4

Sip. No.	D(mm)	L	d
KTV10	10	10	4.7
KTV12	12	10	6
KTV16	16	12	7
KTV20	20	14	10

## AY YIL KALIP TAKVİMİ

Sip. No.	D(mm)	L	d
KTAY4	4	6	2.2
KTAY5	5	6	2.5
KTAY6	6	8	3
KTAY8	8	8	4

Sip. No.	D(mm)	L	d
KTAY10	10	10	4.7
KTAY12	12	10	6
KTAY16	16	12	7
KTAY20	20	14	10

## GÜN KALIP TAKVİMİ

Sip. No.	D(mm)	L	d
KTG4	4	6	2.2
KTG5	5	6	2.5
KTG6	6	8	3
KTG8	8	8	4

Sip. No.	D(mm)	L	d
KTG10	10	10	4.7
KTG12	12	10	6
KTG16	16	12	7
KTG20	20	14	10

## AY KALIP TAKVİMİ

Sip. No.	D(mm)	L	d
KTA4	4	6	2.2
KTA5	5	6	2.5
KTA6	6	8	3
KTA8	8	8	4

Sip. No.	D(mm)	L	d
KTA10	10	10	4.7
KTA12	12	10	6
KTA16	16	12	7
KTA20	20	14	10