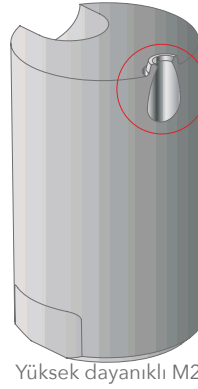


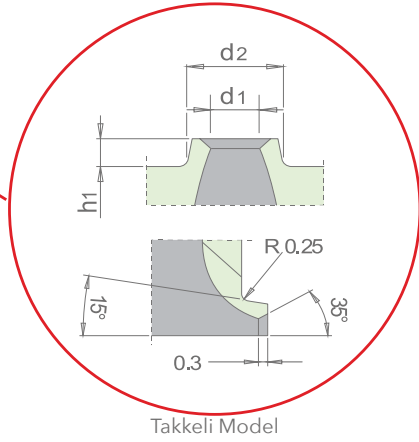
YUVARLAK TİP MUZ YOLLUK SİSTEMİ



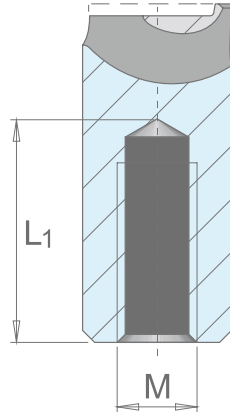
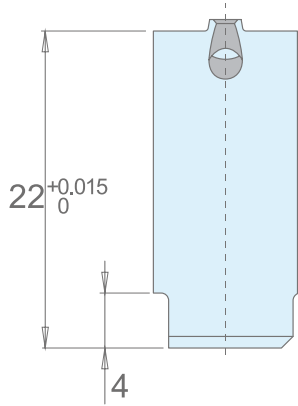
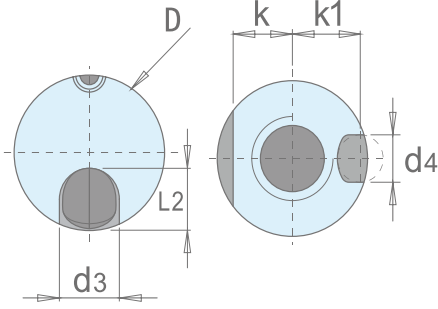
• Malzeme : 1.3343



Yüksek dayanıklı M2



Takkeli Model



Takkeli modelleri belirtir.

Sip. No.	D	k	d1	d2	d3	d4	k1	h1	L1	L2	M
HGR0806S2	8	6	0.6	1.9	3	-	-	0.6	16	3.25	4
HGR0808S2			0.8	2.1							
HGR1008S2	10	8	0.8	2.2	4	3	4.6	0.8	15	4	5
HGR1010S2			1.0	2.3							
HGR1012S2			1.2	2.6							
HGR1014S2			1.4	2.7							
HGR1016S2			1.6	3.0							
HGR1208S2	12	10	0.8	2.1	5	4	5.4	0.8	14	5	5
HGR1210S2			1.0	2.3							
HGR1212S2			1.2	2.6							
HGR1214S2			1.4	2.7							
HGR1216S2			1.6	3.0							
HGR1218S2			1.8	3.1							
HGR1220S2			2.0	3.4							
HGR1412S2	14	12	1.2	2.5	6	4	6.4	0.8	13	6	6
HGR1414S2			1.4	2.7							
HGR1416S2			1.6	3.0							
HGR1418S2			1.8	3.1							
HGR1420S2			2.0	3.4							
HGR1422S2			2.2	3.5							
HGR1424S2			2.4	3.8							
HGR1428S2			2.8	4.2							