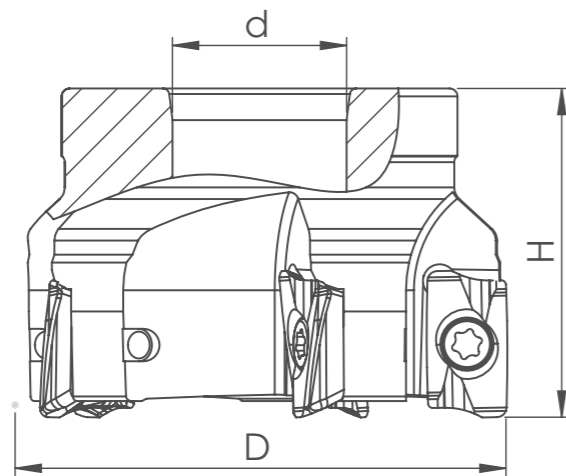




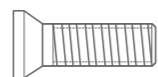
35

INGRSL

INGRSL AOMT 1605	Stock	Inter Coolant	D	Z	H	d	Insert	Screw	Torx Key
1159300	•	○	50	4	40	22	AOMT 1605	M4X11	T15
1159400	•	○	63	5	40	22			
1159500	•	○	80	6	50	27			
1159600	•	○	100	8	50	32			



INSERT



SCREW



TORX KEY