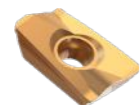
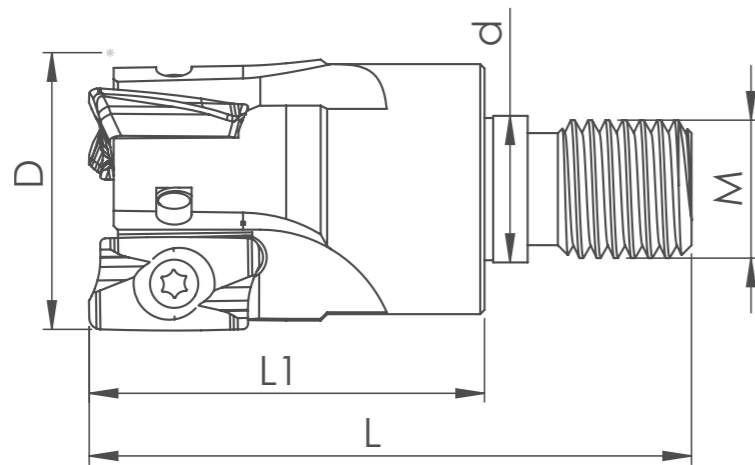




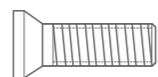
10

INGRSL

INGRSL AOMT 160508	Stock	Inter Coolant	D	Z	L1	L	d	M	Insert	Screw	Torx Key
1194800	•	•	25	2	43	68	12.5	M12	AOMT 1605	M4X10	T15
1194900	•	•	32	3	43	68	17	M16			
1195000	•	•	40	4	43	68	17	M16			



INSERT



SCREW



TORX KEY