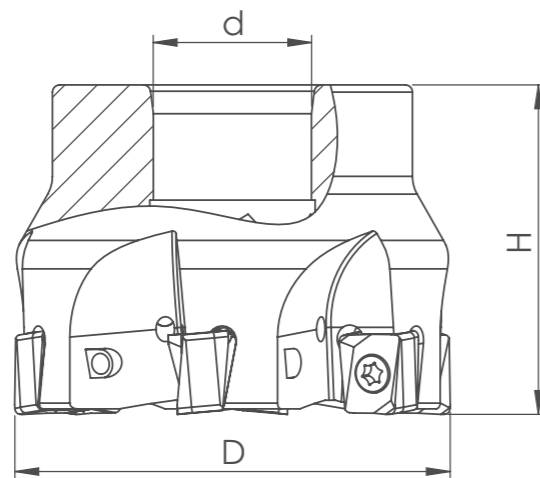




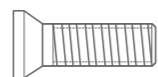
40

TNGLY

TNGLY LQMU 1107	Stock	Inter Coolant	D	Z	H	d	Insert	Screw	Torx Key
1161200	•	•	50	5	40	22	LQMU 1107	M3,5X9	T15
1161300	•	•	63	6	45	22			
1161400	•	•	80	8	52	27			



INSERT



SCREW



TORX KEY