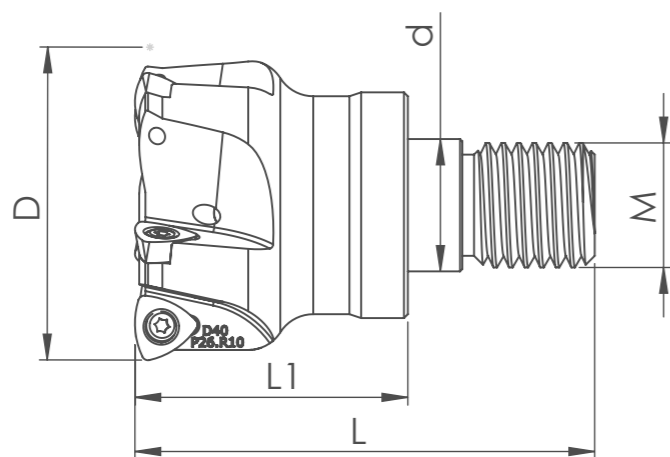




33

WLTR

WLTR P26335 R10/R14	Stock	Inter Coolant	D	Z	L1	L	d	M	Insert	Screw	Torx Key
1206500	•	•	40	5	36	60	17	M16	P26..R-10	M2,5X7	T8
1206600	•	•	32	3	36	60	17	M16	P26..R-14	M4X11	T15



INSERT



SCREW



TORX KEY