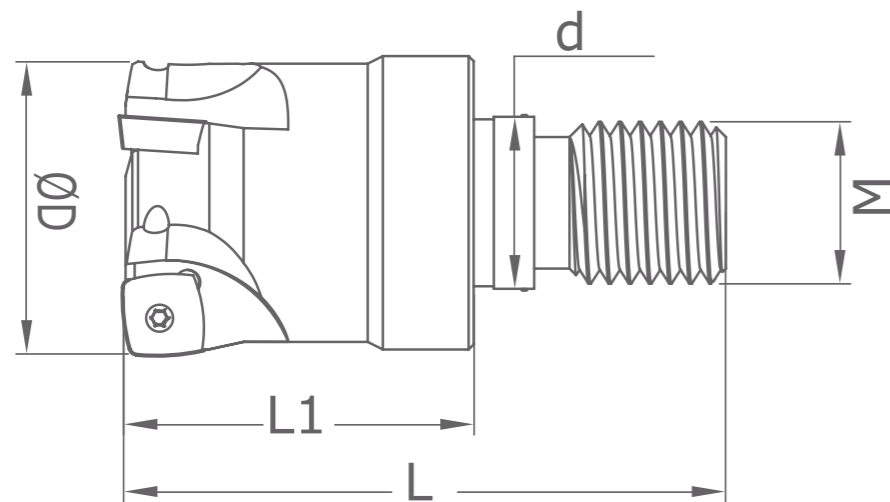




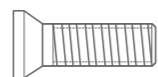
23

PLBT

PLBT SP.. 08T3	Stock	Inter Coolant	D	Z	L1	L	d	M	Insert	Screw	Torx Key
1201800	•	•	25	3	28	50	12.5	M12	SP..08T3	M3X10	T10
1201900	•	•	32	3	35	60	17	M16			
1202000	•	•	42	5	35	60	17	M16			



INSERT



SCREW



TORX KEY