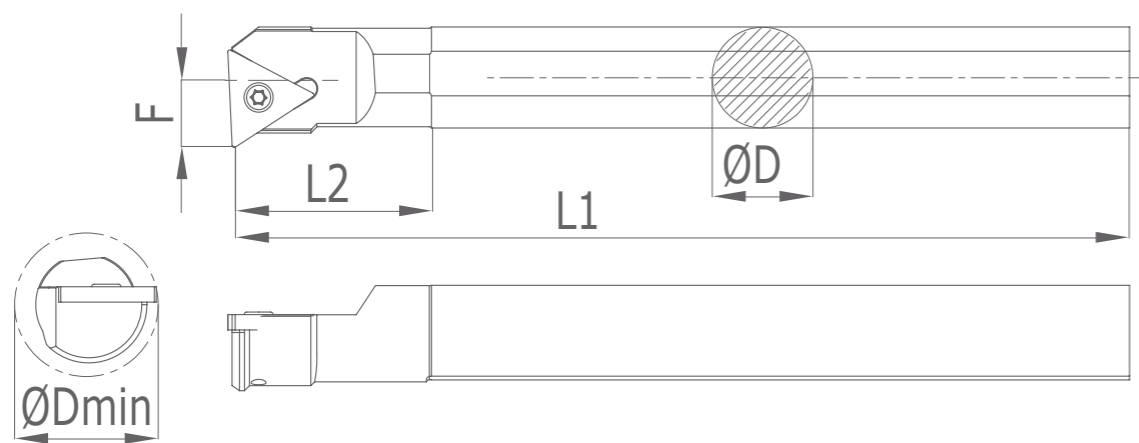


10
ISO

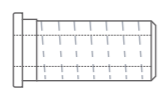
ISO	R	L	D	D _{min}	F	L1	L2	λF	YP	Insert	Shim	Screw	Screw	Torx Key
1057800	•	•	16	20	11	180	35	-9	0	TC.T 16T3..	-	-	M3.5X8	T15
1057900	•	•	20	25	13	200	40	-8	0		TC..016	M5X-0.5XM3.5	M3.5X10	
1058000	•	•	25	32	17,5	250	50	-8	0					
1058100	•	•	32	40	23	300	60	-8	0					



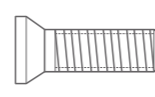
INSERT



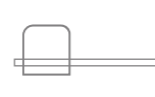
SHIM



INS.TIGHT
SCREW



SCREW



TORX KEY