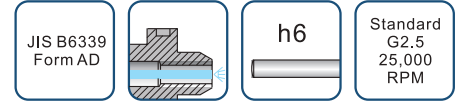
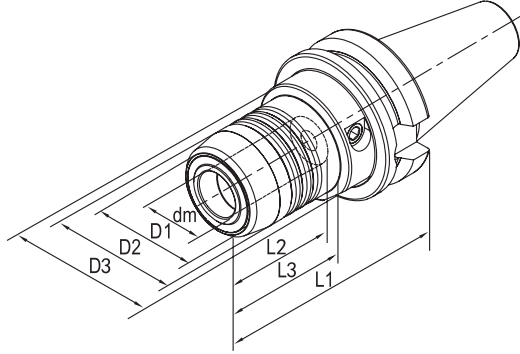


JIS B6339 (MAS 403 BT)

HİDROLİK TUTUCU

- GÜÇLÜ VE GÜVENLİ BAĞLAMA İLE TORKU SÜPER AKTARIR
- RADYAL SALGI DEĞERİ 3 μ ALTINDADIR
- h6 TOLERANSLI SİLİNDİRİK ŞAFTLI TAKIMLARI BAĞLAR
- FARKLI ÇAPLARDA PENSLE İÇİN AYARLANABİLİR SIKMA ARALIĞI
- MAX 10mm OLMAK ÜZERE EKSEN UZUNLUĞU AYARI
- ÇOK YÜKSEK SIKMA KUVVETİ VE YÜKSEK STABİLİTE İLE YÜZEY KALİTESİ İYİLEŞTİRİLMİŞ, ÇALIŞMA ÖMRÜ ARTTIRILMIŞTIR



SİP. NO.	MODEL	ŞAFT	ÖLÇÜ (mm)							VİDA	ANAHTAR	PENS	FİYAT EUR
			dm	D1	D2	D3	L1	L2	L3				
122-01-301	BT30-HCM06-50.8	BT30-AD	6	23	26	26	50.8	37	18	HCS005014C	TS5	-	
122-01-302	BT30-HCM08-50.8	BT30-AD	8	25	28	28	50.8	37	18.5	HCS006014C	TS5	-	
122-01-303	BT30-HCM10-50.8	BT30-AD	10	27	30	30	50.8	41	19	HCS008014C	TS5	-	
122-01-304	BT30-HCM12-50.8	BT30-AD	12	29	32	32	50.8	46	19.5	HCS008014C	TS5	HC12	
122-01-305	BT30-HCM16-50.8	BT30-AD	16	35	38	38	90	49	50	HCS008014C	TS5	-	
122-01-306	BT30-HCM20-50.8	BT30-AD	20	37.5	42	42	90	51	50	HCS008014C	TS5	HC20	
122-01-401	BT40-HCM06-90	BT40-AD	6	22	26	26	90	37	43	HCS005014C	TS5	-	
122-01-402	BT40-HCM08-90	BT40-AD	8	24	28	28	90	37	44.5	HCS006014C	TS5	-	
122-01-403	BT40-HCM10-90	BT40-AD	10	26	30	30	90	41	44.5	HCS008014C	TS5	-	
122-01-404	BT40-HCM12-90	BT40-AD	12	28	32	32	90	46	44.5	HCS008014C	TS5	HC12	
122-01-405	BT40-HCM16-90	BT40-AD	16	34	38	38	90	49	47.5	HCS008014C	TS5	-	
122-01-406	BT40-HCM20-90	BT40-AD	20	38	42	42	90	51	47.5	HCS008014C	TS5	HC20	
122-01-407	BT40-HCM25-83	BT40-AD	25	42	57	57	83	57	25.5	HCS012014C	TS6	-	
122-01-408	BT40-HCM32-83	BT40-AD	32	57	63	63	83	61	25.5	HCS012014C	TS6	HC32	
122-01-409	BT40-HCM14-90	BT40-AD	14	63	34	34	90	46	44.5	HCS008014C	TS5	-	
122-01-410	BT40-HCM18-90	BT40-AD	18	34	40	40	90	49	47.5	HCS008014C	TS5	-	
122-01-411	BT40-HCM06-150	BT40-AD	6	40	26	26	150	37	103	HCS005014C	TS5	-	
122-01-412	BT40-HCM08-150	BT40-AD	8	26	28	28	150	37	104	HCS006014C	TS5	-	
122-01-413	BT40-HCM10-150	BT40-AD	10	28	30	30	150	41	104	HCS008014C	TS5	-	
122-01-414	BT40-HCM12-150	BT40-AD	12	30	32	32	150	46	105	HCS008014C	TS5	HC12	
122-01-415	BT40-HCM14-150	BT40-AD	14	32	34	34	150	46	105	HCS008014C	TS5	-	
122-01-416	BT40-HCM16-150	BT40-AD	16	34	38	38	150	49	106	HCS008014C	TS5	-	
122-01-417	BT40-HCM18-150	BT40-AD	18	36	40	40	150	49	107	HCS008014C	TS5	-	
122-01-418	BT40-HCM20-150	BT40-AD	20	38	42	42	150	51	107	HCS008014C	TS5	HC20	
122-01-419	BT40-HCM06-200	BT40-AD	6	22	26	26	200	37	153	HCS005014C	TS5	-	
122-01-420	BT40-HCM08-200	BT40-AD	8	24	28	28	200	37	154	HCS006014C	TS5	-	
122-01-421	BT40-HCM10-200	BT40-AD	10	26	30	30	200	41	154	HCS008014C	TS5	-	
122-01-422	BT40-HCM12-200	BT40-AD	12	28	32	32	200	46	155	HCS008014C	TS5	HC12	
122-01-423	BT40-HCM14-200	BT40-AD	14	30	34	34	200	46	155	HCS008014C	TS5	-	
122-01-424	BT40-HCM16-200	BT40-AD	16	34	38	38	200	49	156	HCS008014C	TS5	-	
122-01-425	BT40-HCM18-200	BT40-AD	18	36	40	40	200	49	157	HCS008014C	TS5	-	
122-01-426	BT40-HCM20-200	BT40-AD	20	38	42	42	200	51	157	HCS008014C	TS5	HC20	
122-01-501	BT50-HCM06-90	BT50-AD	6	22	26	26	90	37	29.5	HCS005014C	TS5	-	
122-01-502	BT50-HCM08-90	BT50-AD	8	24	28	28	90	37	30	HCS006014C	TS5	-	
122-01-503	BT50-HCM10-90	BT50-AD	10	26	30	30	90	41	31	HCS008014C	TS5	-	
122-01-504	BT50-HCM12-90	BT50-AD	12	28	32	32	90	46	34	HCS008014C	TS5	HC12	
122-01-505	BT50-HCM16-90	BT50-AD	16	34	38	38	90	49	34	HCS008014C	TS5	-	
122-01-506	BT50-HCM20-90	BT50-AD	20	38	40	40	90	51	34	HCS008014C	TS5	HC20	
122-01-507	BT50-HCM25-90	BT50-AD	25	53	57	57	90	57	34	HCS012014C	TS6	-	
122-01-508	BT50-HCM32-90	BT50-AD	32	60	64	64	90	61	34	HCS012014C	TS6	HC32	
122-01-509	BT50-HCM12-150	BT50-AD	12	28	32	32	150	46	95	HCS008014C	TS5	HC12	
122-01-510	BT50-HCM20-150	BT50-AD	20	38	42	42	150	51	95	HCS008014C	TS5	HC20	