



[heikenei.com](http://heikenei.com)



**HEIKENEI**<sup>®</sup>  
wir produzieren industrielle lösungen



We Produce Indexable Tool Holders,  
Holding Systems & Carbide Inserts.

Your Industrial Solutions Partner.



CARBIDE INSERTS  
2023 V04.23

Since 1983



**40**  
YEARS OF  
EXPERIENCE  
SINCE 1983

Made in  
**TÜRKIYE**





**40**  
YEARS OF  
EXPERIENCE  
SINCE 1983

Made in  
**TÜRKİYE**

[heikenei.com](http://heikenei.com)  
[info@heikenei.com](mailto:info@heikenei.com)



**HEIKENEI®**

wir produzieren industrielle lösungen



Industrial Machining Tools

**2023 SEASON**

**HEIKENEI TOOLS**

# HEIKENEI<sup>®</sup>

wir produzieren industrielle lösungen

# VISION





# Vision

Our vision is to be the world leader in machine tool products, providing our customers with high-quality and creative solutions that will allow their companies' to prosper while contributing to the local economy.

We will work closely with our customers in order to provide optimal products to meet their company goals and needs.

We feel our passion for our products is shared by our customers because of the innovation, quality and design found in each one.

**HEIKENEI TOOLS &  
INDUSTRIAL SOLUTIONS**





# HEIKENEI®

wir produzieren industrielle lösungen



# MISSION





# Mission Statement

Heikenei Engineering Solutions Company's mission is to provide first-class quality and innovative machine tools and services in response to our customers' needs. As well to continuously improve in order to meet the ever-changing needs of our customers.

Heikenei also values the commitment, skills, attitude and effort of its employees which is essential for the success of the company.

The organization believes that by maintaining a healthy business relationship with its customers, suppliers, and employees it will result in further growth, success and future prosperity of the organization..

**HEIKENEI TOOLS &  
INDUSTRIAL SOLUTIONS**





## Istanbul / TURKEY

Augusta, Antonina, Nova Roma, Byzantion, Byzantium, Constantinople and finally Istanbul...

These exciting names remind the mysterious and enchanting past of the city. Istanbul can be considered as the combination of the old and modern city, as well as Islamic and Mediterranean mixture of cultures in a captivating atmosphere. There are only few cities in the world that can be so delightful to experience and enjoy as Istanbul.

A quick look at Istanbul's features more than 8,500 years of history, capital of 3 glorious empires, the Roman, Byzantine and Ottoman Empires, a magical composition of two continents, two Worlds, the East and the West, Islamic and Mediterranean mixture of cultures in a captivating atmosphere, population of more than 15 million, one of world's main air traffic hubs with 2 international airports, 5th most visited city in the world, 2010 European Capital of Culture, 2012 European Capital of Sport, one of world's leading congress destination, connecting 2 continents; Europe and Asia, more than 75 museums, more than 100 lively shopping malls, and 4 historic bazaars, 5 imperial palaces, and many summer palaces, pavilions and mansions, huge transportation network of metro, subway, tram, buses, ferries, sea-buses, etc, 4 seasons throughout the year.

Istanbul is a magical composition of two continents. And especially the Bosphorus, Istanbul Strait will cheer up your hearts. Aside from being the largest and most popular city of Turkey, Istanbul is also the biggest cultural and financial center of Turkey.

Istanbul is considered to be the bridge that links Asia with Europe from a cultural and geographical standpoint.





Istanbul is located partly in Asia and the other part in Europe. Its geographical position as well as its rich history are responsible for a fascinating melting pot of cultures. Tourists are flocking to experience this magical city full of contrasts for themselves, making it the 5th most popular tourist destination in the world.

Istanbul offers an unforgettable experience for its travelers, with its colorful daily city life and dynamic nightlife. The beautiful silhouette of the city combines historical sites and monuments such as Roman aqueducts, Byzantine churches, Venetian towers, Ottoman palaces from the Byzantine, Ottoman and Turkish periods.

And the skyline covers monumental minarets with skyscrapers and plazas. And especially the Historical Peninsula and the Bosphorus will make you deeply fall in love with the city.

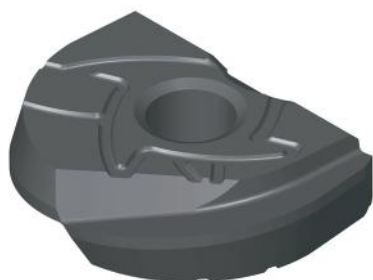
Istanbul is also one of the most lively metropolises in the world (having more than 15 million residents) that offers variety of intercontinental events, international film, music and theater festivals, international biennials, and more than 80 museums and many art galleries showcase all the culture, arts and history; including painting, sculpture, photography and more.

As for eating out and gastronomy, it means that you are one step away from tasting the delicious meals of the Turkish cuisine, from spicy and hot Anatolian and Aegean dishes freshly cooked with olive oil. Istanbul offers wide range of Turkish cuisine at the variety of well established, good and luxury Istanbul restaurants.

**HEIKENEI TOOLS &  
INDUSTRIAL SOLUTIONS**







**WENDESCHNEIDPLATTEN  
INDEXABLE INSERTS**

**2**

WENDESCHNEIDPLATTEN ..... 4-30



**PLANFRÄSEN 45°  
FACE MILLING 45°**

**30**

ISO CHAMFER ..... 32 - 35  
 ISO 45P ..... 36 - 39  
 45P ..... 40 - 46  
 45ON ..... 47 - 50  
 MEGACUT ..... 51 - 55  
 CUTTING DATA RECOMMENDATIONS FOR MILLING 45° ..... 56



**FRÄSEN 90°  
MILLING 90°**

**58**

ISO 90P ..... 60 - 69  
 90P FEED ..... 70 - 95  
 90N ..... 96 - 99  
 90N SIDECUT ..... 100 - 101  
 90N LARCUT ..... 102 - 105  
 88N FACECUT ..... 106 - 107  
 CUTTING DATA RECOMMENDATIONS FOR 90° ..... 108



**3D FRÄSEN  
3D MILLING**

**110**

BALLCUT / FLATCUT ..... 112 - 126  
 FINISHCUT 95P ..... 127 - 128  
 WENDESCHNEIDPLATTEN / INSERTS ..... 128  
 ISO ALUNGE 90P ..... 129 - 131  
 ISO ROUND CUT ..... 132 - 146  
 ORBCUT ..... 147 - 150  
 CUTTING DATA RECOMMENDATIONS FOR 3D MILLING ..... 152





# GRADES OF INDEXABLE MILLING CARBIDE INSERTS



Sorte Grade	ISO	Anwendungsbereich Application range						Werkstoffgruppe Material group						Bearbeitungsverfahren Application							
		05		15		25		35		45		P	M	K	N	S	H	T	M	D	S
		01	10	20	30	40	50	Stahl Steel	Roßfrei Stainless	Grauguss Grey cast iron	NE-Metalle Non-ferrous metals	Hochwarmfest High temperature materials	Harte Werkstoffe Hard materials	Drehen Turning	Fräsen Milling	Bohren Drilling	Gewinde- bearbeitung Threading				
HAN10M	N10																				
	S20																				
	M20																				
HXN10M	N10																				
HAS35M	S35																				
	M35																				
HAS40M	S40																				
HAH03M	H03																				
HAH05M	H05																				
	P05																				
	K05																				
HAH10M	H10																				
	P10																				
	K10																				
HAH13M	H13																				
HAH23M	H23																				
HAH30M	H30																				
	P20																				
	K20																				
Anwendungsschwerpunkt Application peak		01	10	20	30	40	50														
		05	15	25	35	45															
Gesamtbereich nach ISO 513 Full range to ISO 513								■ Hauptanwendung Main application						● Standardsorte Standard grade							
								□ Weitere Anwendungen Further applications													



### HXN10M (N10)

This uncoated grade is designed specifically for machining non-ferrous materials, including aluminum and aluminum alloys with silicon content less than 6%, and is manufactured to meet the highest quality standards. The positive insert geometry ensures an exceptionally smooth cutting behavior, and the use of premium grades with high wear resistance, along with precise production technologies for sharpness and cutting edge design, helps prevent buildup edge formation and ensures optimized chip behavior.

### HAS35M (S35)

HAS35M grade has a good balance between hardness and toughness. Its high-temperature hardness is improved due to the specific composition and processing of the binder phase. These features make HAS35M an ideal choice for machining heat-resistant materials. The wear-resistant coating is also highly beneficial as it reduces the chemical affinity with titanium, which in turn minimizes material transfer from the work-piece to the cutting edge.

### HAS40M (S40)

A medium-hardness grade with high toughness and fracture resistance. Its special binder composition helps to reduce chemical wear, making it an ideal choice for milling Ni-based compounds. Moreover, the grade has a hard PVD coating that enhances its wear resistance and reduces mechanical wear during milling operations.

### HAH03M (H03)

The PVD-coated grade with submicron grains is designed for high cutting speeds when finishing steel materials with a maximum hardness of 65 HRC. To ensure optimal performance, the machining environment must be kept stable. The extremely dense and microcrystalline PVD coating provides exceptional wear resistance and temperature stability.

### HAH05M (H05/P05/K05)

This grade is suitable for facing and contouring steel materials using HF and R inserts, and it has a CVD coating. It's a submicron grade with high wear resistance that can be used in a variety of stable conditions. The new CVD coating has a high red hardness and is extremely wear-resistant, thanks to its nanostructured composition.

### HAH10M (H10/P10/K10)

This grade is suitable for cutting steel materials with a maximum hardness of 58 HRC, and it is coated with PVD. It has a standard submicron grade, which comes with a wear-resistant and microcrystalline PVD coating.

### HAH13M (H13)

Suitable for semi-finishing and finishing of materials with a maximum hardness of 62 HRC under stable or slightly unstable conditions. This ultrafine carbide grade has high wear resistance and an excellent balance between hardness and toughness. Additionally, it meets the highest performance requirements for process reliability due to its extremely dense, microcrystalline, and wear-resistant PVD coating technology.

### HAH23M (H23)

Suitable for finishing and semi-finishing of materials with a maximum hardness of 60 HRC. This ultrafine carbide grade is tough, providing excellent wear resistance, as well as good cutting edge and breakage stability. The PVD coating on this grade is both wear and temperature resistant.

### HAH30M (H30/P20/K20)

A versatile grade suitable for machining a wide range of materials. This submicron carbide grade is highly durable, with excellent resistance to breakage and cracking, as well as wear resistance. The microcrystalline PVD coating has been optimized for minimal stress during operation.

### HTAK30D (P25/M25/K25)

A more rigid option than the HAP25M grade, featuring a HR-CVD coating that provides high resistance against abrasive wear. Ideal for the face milling of steel materials in high-speed cutting operations, with stable conditions and dry machining, making it an economical choice.

### HTAK10D (P30/K30)

Coated grade with high wear resistance and cutting edge stability suitable for fine machining of high-strength materials, alloyed and unalloyed tool steels, non-ferrous metals and cast iron at high cutting speeds.

## GRADE DESCRIPTION MILLING

### HAP20M (P20)

The HAP25M grade can be substituted with a tougher alternative, featuring a CVD coating which provides exceptional resistance against abrasive wear. This grade is particularly ideal for steel material face milling operations, where higher cutting speeds and stable conditions are maintained during dry machining, resulting in more economical outcomes.

### HAP25M (P25/M25)

A versatile grade designed for milling operations on unalloyed, low alloyed, high alloyed, and stainless steel materials. This PVD coated grade is specifically tailored for high speed cutting, with the added benefit of being suitable for both dry and wet machining processes under stable conditions.

### HAP30M (P30)

An all-purpose steel milling grade, designed specifically for face milling operations. The tough carbide substrate of this grade ensures high machining security, making it suitable for a wide range of steel materials. A contemporary CVD coating further enhances its capabilities, allowing for economical dry machining at high cutting speeds.

### HAP35M (P35/M35)

A universal steel milling grade that features a 90° approach angle, designed to be used in conjunction with a PVD layer and a tough carbide grade. This combination makes it well-suited for milling the most common steel types. This grade is particularly useful for dry milling operations conducted at low to medium cutting speeds, even under challenging conditions.

### HAP40M (P40/M45)

This grade features a PVD coating and a robust carbide grade, specifically designed for roughing operations on tool, heat-treated, and case-hardened steels, as well as austenitic and stainless materials.

### HAM35M (M35/S35)

Wear-resistant PVD coating, fine-grain grade for machining stainless and austenitic stainless materials; suitable for wet and dry machining.

### HAM40M (M40)

This grade boasts an incredibly durable, fine-grained carbide substrate, complemented by a thin and smooth PVD coating. It is perfectly suited for milling austenitic stainless steels and materials from the Duplex group, particularly when conducted at low to medium cutting speeds. While it can also be used for wet machining, it is advisable to provide a minimum coolant supply for optimal results.

### HAK15M (K15)

Carefully chosen raw materials are used to produce an optimized K15 carbide substrate that is paired with a highly durable and wear-resistant CVD multilayer coating. This grade is especially ideal for dry machining operations on grey cast iron, spheroidal graphite cast iron, tempered cast iron, and alloyed cast iron materials.

### HAK20M (K20/P10)

This grade boasts a durable K20 substrate, complemented by a thick PVD coating, which makes it particularly suitable for machining cast materials. It can also be used as a finishing grade for steel cutting and machining cold work steels with a hardness level of up to 54 HRC.

### HAN10M / (N10/S20/M20)

This grade is perfectly suited for machining aluminum materials with a silicon content greater than 6% and other non-ferrous materials. It is produced according to the principle of uncoated grades, paired with a thin PVD TiAlN layer, which also makes it an excellent choice for finishing steels, stainless steels, and cast iron materials.



## DURCH DIE ANWENDUNG FORTGESCHRITTENER METHODEN UND TECHNIKEN ERZIELTE VORTEILE.

heikenei.com

### BENEFITS GAINED THROUGH THE APPLICATION OF ADVANCED METHODS AND TECHNIQUES.

<p>Wir können durch die Verwendung einer breiten Palette von Schneidstoffsorten, die für eine vielfältige Materialpalette entwickelt wurden, die besten Schneidbedingungen aufrechterhalten.</p> <p>We are able to maintain the best cutting conditions by utilizing a wide variety of cutting grades designed for a diverse range of materials.</p>	<p>Achieving wirtschaftliche Effizienz and ensuring Sicherheit when machining a broad spectrum of materials.</p> <p>Achieving economic efficiency and ensuring safety when machining a broad spectrum of materials.</p>
<p>AlTiN Schicht, mittels CVD-Technologie abgeschieden.</p> <p>AlTiN layer, deposited by means of CVD technology</p>	<p>Erstmals ist es möglich, dank der innovativen Nanostruktur und dem hohen Aluminiumgehalt der AlTiN-Beschichtung, widerstehende Eigenschaften wie Zähigkeit, herausragende Schichthärte und Verschleißfestigkeit zu kombinieren.</p> <p>For the first time, it is possible to combine opposing properties such as toughness, exceptional layer hardness, and wear resistance, thanks to the innovative nanostructure and high aluminum content of the AlTiN coating.</p>
<p>Die PVD AlTiN-Beschichtung ist dick und bietet aufgrund ihres hohen Aluminiumgehalts eine hohe Verschleißfestigkeit bei erhöhten Temperaturen. Darüber hinaus weist die Beschichtung eine besonders glatte Oberfläche auf und verfügt über eine TiN-Deckschicht, die die Erkennung von Verschleiß erleichtert.</p> <p>The PVD AlTiN coating is thick and provides high wear resistance at elevated temperatures due to its high aluminum content. Additionally, the coating has a specially smooth surface and features a TiN top layer that facilitates wear detection.</p>	<p>Verschiedene Stahlsorten können bearbeitet werden, wodurch sich die Lebensdauer von Werkzeugen verlängert, und gleichzeitig ist eine einfache Erkennung von Verschleiß möglich.</p> <p>Extended durability of tools when machining different types of steel and easy identification of wear.</p>
<p>Im Vergleich zu anderen PVD-Beschichtungen bietet "Hochleistungs-Impuls-Magnetron-Sputtern" eine überlegene Bruchfestigkeit bei gleicher Härte sowie eine gleichmäßigere Schichtverteilung entlang der Schneidkante.</p> <p>When compared to other PVD coatings, " High-power impulse magnetron sputtering" offers superior fracture resistance at the same level of hardness, as well as a more uniform layer distribution along the cutting edge.</p>	<p>Spitzenleistung und Betriebssicherheit werden durch außergewöhnlich dicke Schichten aus mikrokristallinen und verschleißfesten Materialien gewährleistet.</p> <p>Top-level performance and operational reliability are ensured by exceptionally thick layers of microcrystalline and wear-resistant materials.</p>

**Symbolerklärung für Fräsoperationen**  
Symbols for milling operations

Planfräsen  
Face milling



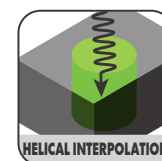
Tauchfräsen  
Plunge milling



Gassenfräsen  
Pocket milling



Zirkularfräsen  
Helical interpolation



Eckfräsen  
Shoulder milling



Taschenfräsen  
Pocketing



Nutfräsen  
Slot milling



Rampe eintauchen  
Linear ramping



Besäumen  
Trimming



Kopierfräsen  
Copy milling



Trochodiales Fräsen  
Trochodial milling



Fasen  
Chamfering





# ISO WENDESCHNEIDPLATTENBEZEICHNUNGEN

## ISO INDEXABLE INSERT DESIGNATION

heikenei.com

# 1

**T**  
Grundform  
Insert shape

A		85°
B		82°
C		80°
D		55°
E		75°
H		120°
K		55°
L		90°
M		86°
O		135°
P		108°
R		-
S		90°
T		60°
V		35°
W		80°

In grundlegenden Formen, die nicht gleichwinklig sind, ist der kleinere Winkel immer der Eckwinkel.

In basic shapes that are not equiangular, the smaller angle is always the corner angle.

# 2

**N**  
Freiwinkel  
Clearance angle

A	3°
B	5°
C	7°
D	15°
E	20°
F	25°
G	30°
N	0°
P	11°
O	

Standardfreiwinkel, die eine spezifische Erklärung erfordern.

Standard clearance angles that necessitate a specific explanation.

# 3

**H**  
Toleranzen  
Tolerances

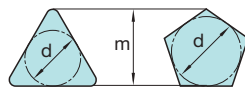
	m	s	d
A	±0,005	±0,025	±0,025
C	±0,013	±0,025	±0,025
E	±0,025	±0,025	±0,025
F	±0,005	±0,025	±0,013
G	±0,025	±0,13	±0,025
H	±0,013	±0,025	±0,013
J	±0,005	±0,025	siehe see Tab. 4
K	±0,013	±0,025	siehe see Tab. 4
L	±0,025	±0,025	siehe see Tab. 4
M	siehe see Tab. 5	±0,13	siehe see Tab. 4
N	siehe see Tab. 5	±0,025	siehe see Tab. 4
U	siehe see Tab. 5	±0,13	siehe see Tab. 4

**Tab. 4**

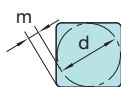
d	J, K, L, M	U
über over	bis up to	
3,9	10,0	±0,05
10,0	15,0	±0,08
15,0	20,0	±0,10
20,0	26,0	±0,13
26,0	32,0	±0,15

**Tab. 5**

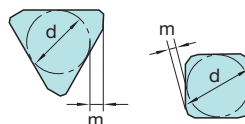
d	M, N	m
über over	bis up to	U
3,9	10,0	±0,08
10,0	15,0	±0,13
15,0	20,0	±0,15
20,0	26,0	±0,18
26,0	32,0	±0,20



Formen mit ungerader Anzahl von Seiten werden durch eine Abrundung an den Ecken ergänzt.  
Adding a rounding to the corners of shapes with an odd number of sides.



Rundung der Ecken für Formen mit einer geraden Anzahl an Seiten.  
Rounding of corners for shapes with an even number of sides.



Fasenplatten  
Chamfered inserts

# 4

**F**  
Spanformer, Befestigung  
Chip breaker, fixation

A		(70° - 90°)
B		(70° - 90°)
C		(70° - 90°)
F		
G		(70° - 90°)
H		(70° - 90°)
J		(70° - 90°)
M		
N		(40° - 60°)
Q		(40° - 60°)
R		(40° - 60°)
T		(40° - 60°)
U		(40° - 60°)
W		(40° - 60°)

X mit Besonderheit nach Zeichnung  
with special feature according to drawing

( ) Kegelwinkel für Schraube  
( ) Cone angle for screw

# 5

**12**  
Schneidenlänge  
Cutting edge length

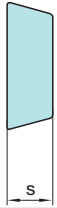
	l
06	6,350
07	7,938
09	9,525
11	11,000
<b>12</b>	12,700
15	15,875
16	16,500
19	19,050
22	22,000
25	25,400
31	31,750
38	38,100



# ISO WENDESCHNEIDPLATTENBEZEICHNUNGEN ISO INDEXABLE INSERT DESIGNATION

6

**04**  
Schneidkanten Höhe  
Cutting edges height



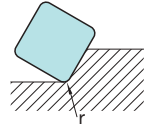
	s
02	2,38
03	3,18
T3	3,97
<b>04</b>	4,76
05	5,56
06	6,35
07	7,94
08	8,00
09	9,52

Abmessungen in mm  
Dimensions in mm

7

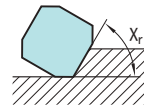
**AN**  
Schneidenecke  
Cutting edge corner

Für Radiusplatten  
For radius inserts



	Eckradius-r Corner radius-r
00	scharfkantig sharp-edged
02	0,2
04	0,4
08	0,8
12	1,2
16	1,6
20	2,0
	usw. etc.

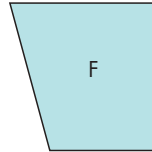
Für Fasenplatten  
Planschneiden  
For chamfered  
inserts face milling



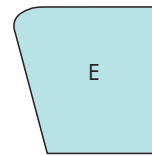
	Anstellwinkel Approach angle
	Xr
<b>A</b>	45°
D	60°
E	75°
F	85°
P	90°
Z	Sonder Special
	Freiwinkel der Planschneide Clearance angle of face milling edge $\alpha_n$
A	3°
B	5°
C	7°
D	15°
E	20°
F	25°
G	30°
<b>N</b>	0°
P	11°
Z	Sonder Special
MO	Rundwende- platte metrisch Round insert metric
OO	Rundwende- platte Zoll Round insert Inch

8

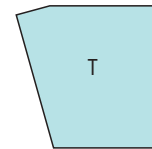
**S**  
Schneiden- ausführung 1)  
Cutting edge type 1)



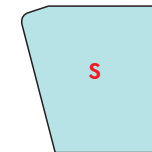
scharfkantig  
sharp-edged



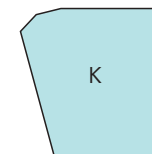
gerundet  
rounded



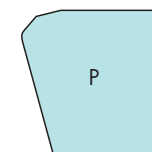
gefasst  
chamfered



gefasst und  
gerundet\*  
chamfered\* and  
rounded\*



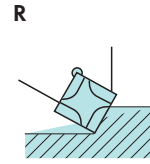
doppelgefasst  
double chamfered



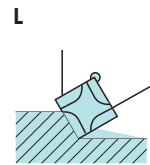
doppelgefasst und  
gerundet  
double chamfered  
and rounded

9

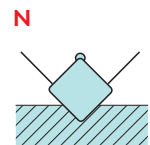
**N**  
Schneidrichtung 1)  
Direction of cut 1)



nur rechtsschneidend  
right hand cut only



nur linksschneidend  
left hand cut only



rechts- und links-  
schneidend  
right and left hand cut

1) Die Anwendung dieser  
Kennbuch- staben ist  
freigestellt.  
The use of these  
reference letters is  
optional.

10

**- HK**  
Heikenei-Norm  
Heikenei-Standard

Geometrie Bezeichnung  
Geometry code

Example:

T N H F 12 04 AN SN-HK  
# 1 2 3 4 5 6 7 8 9 10

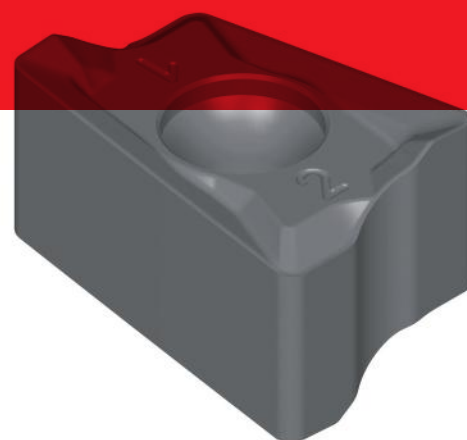
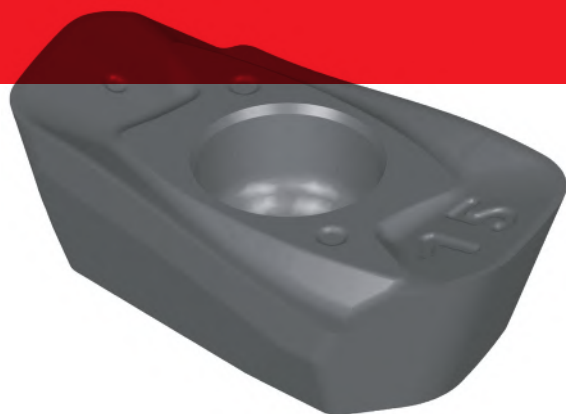
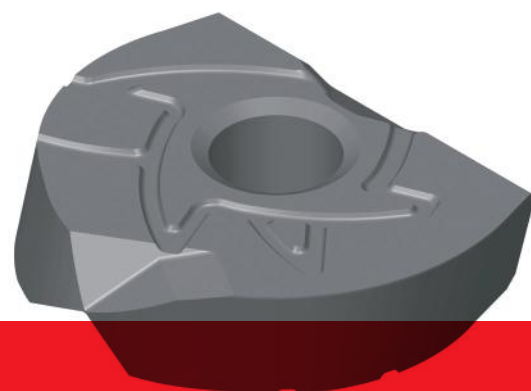
1	Grundform	Dreieck
2	Freiwinkel	0°
3	Toleranzen	m ± 0,013 s ± 0,025 d ± 0,13
4	Befestigung Spanfläche	mit Besonderheit nach Zeichnung
5	Schneidenlänge	12,7
6	Dicke	4,76
7	Schneidenecke	45° Fase/Freiwinkel
8	Schneidkante	gerundet*
9	Schneidrichtung	rechts- und linksschneidend
10	Interne Bezeichnung	BK = Geometrie

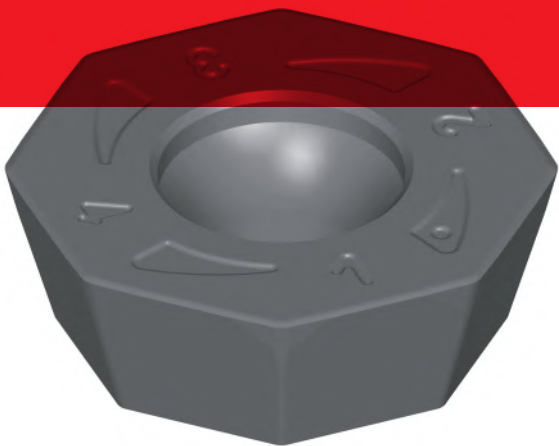
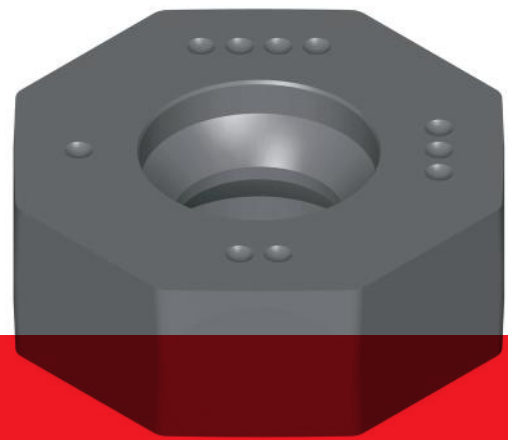
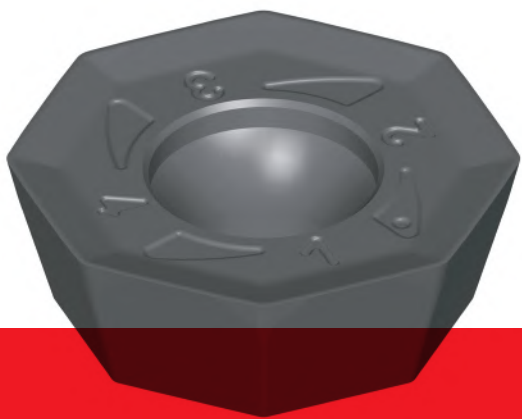
Example:

1	Basic form	Triangle
2	Clearance angle	0°
3	Tolerances	m ± 0.013 s ± 0.025 d ± 0.13
4	Fixing cutting face	with special feature according to drawing
5	Length of cutting edge	12.7
6	Thickness	4,76
7	Cutting edge corner	45° chamfer/clea- rance angle
8	Cutting edge	rounded*
9	Direction of cut	right- and lefthand
10	Internal designation	MP = Geometry



# WENDESCHNEIDPLATTEN INDEXABLE INSERTS





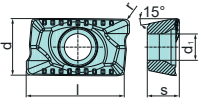
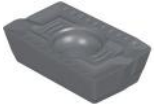
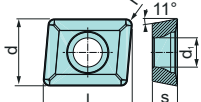

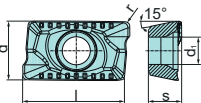

**PG. 4 - 29**



# WENDESCHNEIDPLATTEN

## INDEXABLE INSERTS

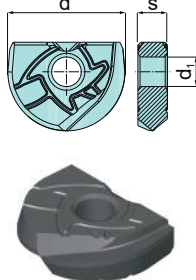
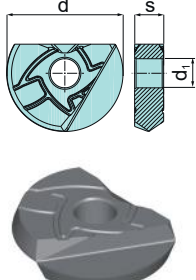
heikenei.com

Bild & Zeichnung Image & Drawings	Artikelbezeichnung Item Code	Schneidstoffsorte Cutting materials	Bestell-Nr. Order No	Verfüg. Availability	Abmessungen [mm] Dimensions [mm]				
					l	d	s	d <sub>1</sub>	r
  N = 2	■ ADKX 110308 TR-TR	HAP35M	2131800	•	11,9	7,9	3,47	3,4	0,8
  N = 2	■ APET 150412 TM-NR	HAP35M	2131900	•	15	9,73	5,26	4,5	1,2
  N = 2	■ APKT 1003 PDSR-HP	HAP25M	2132600	•	10	6,7	3,5	2,8	0,5
	■ APKT 1003 PDSR-HP	HAP30M	2132700	•	10	6,7	3,5	2,8	0,5
	■ APKT 1003 PDSR-HP	HAP35M	2132800	•	10	6,7	3,5	2,8	0,5
	■ APKT 1003 PDSR-HN	HAM40M	2132300	•	10	6,7	3,5	2,8	0,5
	■ APKT 1003 PDSR-HP	HAK15M	2132400	•	10	6,7	3,5	2,8	0,5
	■ APKT 1003 PDSR-HP	HAK20M	2132500	•	10	6,7	3,5	2,8	0,5
	■ APHT 100304 GR-NP	HANI10M	2200500	•	10	6,70	3,50	2,8	0,4
	■ APHT 100304 GR-NP	HXN10M	2200600	•	10	6,70	3,50	2,8	0,4
	■ APKT 1604 PDSR-HP	HAP25M	2134100	•	16	9,52	5,26	4,5	0,8
	■ APKT 1604 PDSR-HP	HAP30M	2134200	•	16	9,52	5,26	4,5	0,8
	■ APKT 1604 PDSR-HP	HAP35M	2134300	•	16	9,52	5,26	4,5	0,8
	■ APKT 1604 PDSR-HN	HAM40M	2133900	•	16	9,52	5,26	4,5	0,8
	■ APKT 1604 PDSR-HP	HAK15M	2134000	•	16	9,52	5,26	4,5	0,8
	■ APHT 160408 GR-NP	HANI10M	2200900	•	16	9,52	5,26	4,5	0,8
	■ APHT 160408 GR-NP	HXN10M	2201000	•	16	9,52	5,26	4,5	0,8
	■ APKT 160416 TR-HP	HAP30M	2135200	•	16	9,55	5,26	4,5	1,6
	■ APKT 160416 TR-HP	HAP35M	2135300	•	16	9,55	5,26	4,5	1,6
	■ APKT 160424 TR-HP	HAP30M	2135400	•	16	9,55	5,26	4,5	2,4
	■ APKT 160424 TR-HP	HAP35M	2135500	•	16	9,55	5,26	4,5	2,4
	■ APKT 160432 TR-HP	HAP30M	2135600	•	16	9,55	5,26	4,5	3,2
■ APKT 160432 TR-HP	HAP35M	2135700	•	16	9,55	5,26	4,5	3,2	

# WENDESCHNEIDPLATTEN INDEXABLE INSERTS



Bild & Zeichnung Image & Drawings	Artikelbezeichnung Item Code	Schneidstoffsorte Cutting materials	Bestell-Nr. Order No	Verfüg. Availability	Abmessungen [mm] Dimensions [mm]				
					l	d	s	d <sub>1</sub>	r
	■ APKT 15T3 PDTR-HP	HAP30M	2133700	•	15	9,73	4,36	4,5	0,8
	■ APKT 15T3 PDTR-HP	HAP35M	2133800	•	15	9,73	4,36	4,5	0,8
	■ APKT 100304 TR-NR2	HAP25M	2133000	•	10	6,7	3,5	2,8	0,4
	■ APKT 100304 TR-NR2	HAP35M	2133100	•	10	6,7	3,5	2,8	0,4
	■ APKT 100304 TR-NN2	HAM40M	2132900	•	10	6,7	3,5	2,8	0,4
	■ APHT 100304 GR-NP2	HAN10M	2200700	•	10	6,7	3,5	2,8	0,4
	■ APHT 100304 GR-NP2	HXN10M	2200800	•	10	6,7	3,5	2,8	0,4
	■ APKT 100304 TR-DP2	HAP30M	2133400	•	10	6,7	3,5	2,8	0,4
	■ APKT 100304 TR-DP2	HAP35M	2133500	•	10	6,7	3,5	2,8	0,4
	■ APKT 100304 TR-DP2	HAP40M	2133600	•	10	6,7	3,5	2,8	0,4
	■ APKT 100304 TR-DK2	HAK15M	2133200	•	10	6,7	3,5	2,8	0,4
	■ APKT 100304 TR-DK2	HAK20M	2133300	•	10	6,7	3,5	2,8	0,4
	■ APKT 160408 TR-NR2	HAP25M	2134500	•	16	9,6	5,26	4,5	0,8
	■ APKT 160408 TR-NR2	HAP35M	2134600	•	16	9,6	5,26	4,5	0,8
	■ APKT 160408 TR-NN2	HAM40M	2134400	•	16	9,6	5,26	4,5	0,8
	■ APHT 160408 GR-NP2	HAN10M	2201100	•	16	9,52	5,26	4,5	0,8
	■ APHT 160408 GR-NP2	HXN10M	2201200	•	16	9,52	5,26	4,5	0,8
■ APKT 160408 TR-DP2	HAP30M	2134900	•	16	9,6	5,26	4,5	0,8	
■ APKT 160408 TR-DP2	HAP35M	2135000	•	16	9,6	5,26	4,5	0,8	
■ APKT 160408 TR-DP2	HAP40M	2135100	•	16	9,6	5,26	4,5	0,8	
■ APKT 160408 TR-DK2	HAK15M	2134700	•	16	9,6	5,26	4,5	0,8	
■ APKT 160408 TR-DK2	HAK20M	2134800	•	16	9,6	5,26	4,5	0,8	

Bild & Zeichnung Image & Drawings	Artikelbezeichnung Item Code	Schneidstoffsorte Cutting materials	Bestell-Nr. Order No	Verfüg. Availability	Abmessungen [mm] Dimensions [mm]			
					d	s	d <sub>1</sub>	
	■ HME12 FHF	HAH03M	2165500	•	12	2,99	3,5	
	■ HME12 SHF	HAH10M	2166400	•	12	2,99	3,5	
	■ HME12 SHF	HAH23M	2166500	•	12	2,99	3,5	
	■ HME12 MHF	HAH30M	2165800	•	12	2,99	3,5	
	■ HME16 FHF	HAH03M	2166800	•	16	3,99	4	
	■ HME16 SHF	HAH10M	2167700	•	16	3,99	4	
	■ HME16 SHF	HAH23M	2167800	•	16	3,99	4	
	■ HME16 MHF	HAH30M	2167100	•	16	3,99	4	
	■ HME20 FHF	HAH03M	2168100	•	20	4,99	5	
	■ HME20 SHF	HAH10M	2169000	•	20	4,99	5	
	■ HME20 SHF	HAH23M	2169100	•	20	4,99	5	
	■ HME20 MHF	HAH30M	2168400	•	20	4,99	5	
	■ HME25 SHF	HAH10M	2170100	•	25	5,99	6	
	■ HME25 SHF	HAH23M	2170200	•	25	5,99	6	
	■ HME25 MHF	HAH30M	2169500	•	25	5,99	6	
	■ HME32 SHF	HAH10M	2171100	•	32	6,99	8	
	■ HME32 SHF	HAH23M	2171200	•	32	6,99	8	
	■ HME32 MHF	HAH30M	2170500	•	32	6,99	8	
	N = 2							
		■ HME08 MHN	HAH10M	2163000	•	8	2,39	2,5
■ HME08 MHN		HAH23M	2163100	•	8	2,39	2,5	
■ HME08 MHN		HAH30M	2163200	•	8	2,39	2,5	
■ HME10 MHN		HAH10M	2164300	•	10	2,59	3	
■ HME10 MHN		HAH23M	2164400	•	10	2,59	3	
■ HME10 MHN		HAH30M	2164500	•	10	2,59	3	
■ HME12 SHN		HAH03M	2166600	•	12	2,99	3,5	
■ HME12 MHN		HAH10M	2165900	•	12	2,99	3,5	
■ HME12 MHN		HAH23M	2166000	•	12	2,99	3,5	
■ HME12 MHN		HAH30M	2166100	•	12	2,99	3,5	
■ HME16 SHN		HAH03M	2167900	•	16	3,99	4	
■ HME16 MHN		HAH10M	2167200	•	16	3,99	4	
■ HME16 MHN		HAH23M	2167300	•	16	3,99	4	
■ HME16 MHN		HAH30M	2167400	•	16	3,99	4	
■ HME20 SHN		HAH03M	2169200	•	20	4,99	5	
■ HME20 MHN		HAH10M	2168500	•	20	4,99	5	
■ HME20 MHN		HAH23M	2168600	•	20	4,99	5	
■ HME20 MHN		HAH30M	2168700	•	20	4,99	5	
■ HME25 MHN		HAH10M	2169600	•	25	5,99	6	
■ HME25 MHN		HAH23M	2169700	•	25	5,99	6	
■ HME25 MHN	HAH30M	2169800	•	25	5,99	6		
■ HME32 MHN	HAH10M	2170600	•	32	6,99	8		
■ HME32 MHN	HAH23M	2170700	•	32	6,99	8		
■ HME32 MHN	HAH30M	2170800	•	32	6,99	8		
N = 2								



# WENDESCHNEIDPLATTEN INDEXABLE INSERTS



Bild & Zeichnung Image & Drawings	Artikelbezeichnung Item Code	Schneidstoffsorte Cutting materials	Bestell-Nr. Order No	Verfüg. Availability	Abmessungen [mm] Dimensions [mm]		
					d	s	d <sub>1</sub>
	■ HME08 FHF2	HAH13M	2162900	•	8	2,39	2,5
	■ HME10 FHF2	HAH13M	2164200	•	10	2,59	3
	■ HME12 FHF2	HAH13M	2165600	•	12	2,99	3,5
	■ HME16 FHF2	HAH13M	2166900	•	16	3,99	4
	■ HME20 FHF2	HAH13M	2168200	•	20	4,99	5
	■ HME25 FHF2	HAH13M	2169400	•	25	5,99	6
	■ HME32 FHF2	HAH13M	2170400	•	32	6,99	8
N = 2							
	■ HME08 MHN2	HAH10M	2163300	•	8	2,39	2,5
	■ HME08 SHN2	HAH23M	2163500	•	8	2,39	2,5
	■ HME08 MHN2	HAH30M	2163400	•	8	2,39	2,5
	■ HME10 MHN2	HAH10M	2164600	•	10	2,59	3
	■ HME10 SHN2	HAH23M	2164800	•	10	2,59	3
	■ HME10 MHN2	HAH30M	2164700	•	10	2,59	3
	■ HME12 FHN2	HAH03M	2165700	•	12	2,99	3,5
	■ HME12 MHN2	HAH10M	2166200	•	12	2,99	3,5
	■ HME12 SHN2	HAH23M	2166700	•	12	2,99	3,5
	■ HME12 MHN2	HAH30M	2166300	•	12	2,99	3,5
	■ HME16 FHN2	HAH03M	2167000	•	16	3,99	4
	■ HME16 MHN2	HAH10M	2167500	•	16	3,99	4
	■ HME16 SHN2	HAH23M	2168000	•	16	3,99	4
	■ HME16 MHN2	HAH30M	2167600	•	16	3,99	4
	■ HME20 FHN2	HAH03M	2168300	•	20	4,99	5
	■ HME20 MHN2	HAH10M	2168800	•	20	4,99	5
	■ HME20 SHN2	HAH23M	2169300	•	20	4,99	5
	■ HME20 MHN2	HAH30M	2168900	•	20	4,99	5
	■ HME25 MHN2	HAH10M	2169900	•	25	5,99	6
	■ HME25 SHN2	HAH23M	2170300	•	25	5,99	6
	■ HME25 MHN2	HAH30M	2170000	•	25	5,99	6
■ HME32 MHN2	HAH10M	2170900	•	32	6,99	8	
■ HME32 SHN2	HAH23M	2171300	•	32	6,99	8	
■ HME32 MHN2	HAH30M	2171000	•	32	6,99	8	
N = 2							



# WENDESCHNEIDPLATTEN INCH

## INDEXABLE INSERTS INCH



Bild & Zeichnung Image & Drawings	Artikelbezeichnung Item Code	Schneidstoffsorte Cutting materials	Bestell-Nr. Order No	Verfüg. Availability	Abmessungen [INCH] Dimensions [INCH]		
					d	s	d <sub>1</sub>
	■ HME0312 MHN2	HAH10M	2159000	○	0.312	0.094	0.098
	■ HME0312 SHN2	HAH23M	2159400	○	0.312	0.094	0.098
	■ HME0312 MHN2	HAH30M	2159100	○	0.312	0.094	0.098
	■ HME0375 MHN2	HAH10M	2159700	●	0.375	0.10	0.118
	■ HME0375 SHN2	HAH23M	2160100	●	0.375	0.10	0.118
	■ HME0375 MHN2	HAH30M	2159800	○	0.375	0.10	0.118
	■ HME0500 FHN2	HAH03M	2160400	○	0.500	0.118	0.138
	■ HME0500 MHN2	HAH10M	2160600	●	0.500	0.118	0.138
	■ HME0500 SHN2	HAH23M	2161000	●	0.500	0.118	0.138
	■ HME0500 MHN2	HAH30M	2160700	○	0.500	0.118	0.138
	■ HME0625 FHN2	HAH03M	2161300	○	0.625	0.157	0.157
	■ HME0625 MHN2	HAH10M	2161500	○	0.625	0.157	0.157
	■ HME0625 SHN2	HAH23M	2161900	○	0.625	0.157	0.157
	■ HME0625 MHN2	HAH30M	2161600	○	0.625	0.157	0.157
	■ HME0750 FHN2	HAH03M	2162200	○	0.750	0.196	0.196
	■ HME0750 MHN2	HAH10M	2162400	●	0.750	0.196	0.196
	■ HME0750 SHN2	HAH23M	2162800	●	0.750	0.196	0.196
	■ HME0750 MHN2	HAH30M	2162500	○	0.750	0.196	0.196
	■ HME1000 MHN2	HAH10M	2163700	●	1.000	0.236	0.236
	■ HME1000 SHN2	HAH23M	2164100	●	1.000	0.236	0.236
■ HME1000 MHN2	HAH30M	2163800	○	1.000	0.236	0.236	
■ HME1250 MHN2	HAH10M	2165000	○	1.250	0.275	0.315	
■ HME1250 SHN2	HAH23M	2165400	○	1.250	0.275	0.315	
■ HME1250 MHN2	HAH30M	2165100	○	1.250	0.275	0.315	

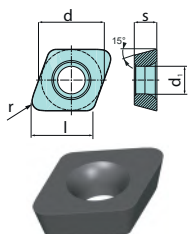
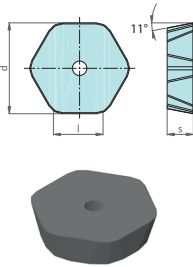
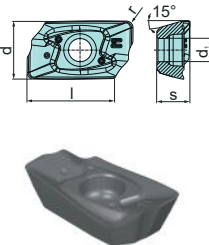
N = 2



# WENDESCHNEIDPLATTEN

## INDEXABLE INSERTS

heikenei.com

Bild & Zeichnung Image & Drawings	Artikelbezeichnung Item Code	Schneidstoffsorte Cutting materials	Bestell-Nr. Order No	Verfüg. Availability	Abmessungen [mm] Dimensions [mm]					
					l	d	s	d <sub>1</sub>	r	
 <p>N = 2</p>	■ CDGX 060210 TR-SH	HAH03M	2171400	•	5,8	6,5	2,38	2,9	1	
	■ CDGX 060210 TR-SH	HAH10M	2171500	•	5,8	6,5	2,38	2,9	1	
	■ CDGX 060210 TR-SH	HAH23M	2171600	•	5,8	6,5	2,38	2,9	1	
	■ CDGX 060210 TR-SH	HAH30M	2171700	•	5,8	6,5	2,38	2,9	1	
	■ CDGX 060210 TR-SW	HAH03M	2171800	•	1,72	6,5	2,38	2,9	1	
	■ CDGX 060210 TR-SW	HAH10M	2171900	•	1,72	6,5	2,38	2,9	1	
 <p>N = 6</p>	■ HPKW1206-ADSN	HAP30M	2329500	○	12,7	22	6,35	-	-	
	■ HPKW1206-ADSN	HAP35M	2329600	•	12,7	22	6,35	-	-	
	■ HPKW1206-ADSN	HAP40M	2329700	•	12,7	22	6,35	-	-	
	■ HPKW1206-ADSN	HAM40M	2329800	•	12,7	22	6,35	-	-	
 <p>N = 2</p>	90° Insert									
	■ XDMX 100404 TR-NR	HAP25M	2172200	•	10	6,6	4,76	2,8	0,4	
	■ XDMX 100404 TR-NR	HAP35M	2172300	•	10	6,6	4,76	2,8	0,4	
	■ XDMX 100404 TR-NN	HAM35M	2172000	•	10	6,6	4,76	2,8	0,4	
	■ XDMX 100404 TR-NN	HAM40M	2172100	•	10	6,6	4,76	2,8	0,4	
	■ XDHX 100404 GR-NP	HAN10M	2201500	•	10	6,6	4,76	2,8	0,4	
	■ XDHX 100404 GR-NP	HXN10M	2201600	•	10	6,6	4,76	2,8	0,4	
	■ XDMX 100408 TR-NR	HAP25M	2172700	•	10	6,6	4,76	2,8	0,8	
	■ XDMX 100408 TR-NR	HAP35M	2172800	•	10	6,6	4,76	2,8	0,8	
	■ XDMX 100408 TR-NR	HAP40M	2172900	•	10	6,6	4,76	2,8	0,8	
	■ XDMX 100408 TR-NN	HAM35M	2172500	•	10	6,6	4,76	2,8	0,8	
	■ XDMX 100408 TR-NN	HAM40M	2172600	•	10	6,6	4,76	2,8	0,8	
	■ XDMX 100408 TR-NK	HAK20M	2172400	•	10	6,6	4,76	2,8	0,8	
	■ XDHX 100408 GR-NP	HAN10M	2201700	•	10	6,6	4,76	2,8	0,8	
	■ XDHX 100408 GR-NP	HXN10M	2201800	•	10	6,6	4,76	2,8	0,8	
	■ XDMX 100408 TR-NU	HAS35M	2173000	•	10	6,6	4,76	2,8	0,8	
	■ XDMX 100408 TR-NU	HAS40M	2173100	○	10	6,6	4,76	2,8	0,8	
	■ XDMX 100420 TR-NR	HAP25M	2174200	•	10	6,6	4,76	2,8	2	
	■ XDMX 100420 TR-NR	HAP35M	2174300	•	10	6,6	4,76	2,8	2	
	■ XDMX 100430 TR-NR	HAP25M	2174400	•	10	6,6	4,76	2,8	3	
■ XDMX 100430 TR-NR	HAP35M	2174500	•	10	6,6	4,76	2,8	3		

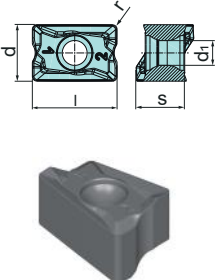
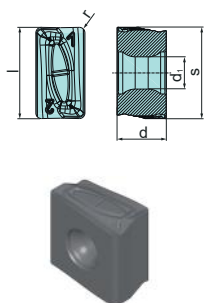
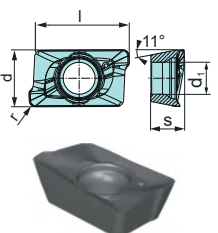
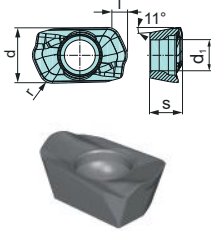
# WENDESCHNEIDPLATTEN INDEXABLE INSERTS



Bild & Zeichnung Image & Drawings	Artikelbezeichnung Item Code	Schneidstoffsorte Cutting materials	Bestell-Nr. Order No	Verfüg. Availability	Abmessungen [mm] Dimensions [mm]				
					l	d	s	d <sub>1</sub>	r
<p>N = 2</p>	HF Platten/HF insert								
	■ XDMX 100415 TR-NRH	HAP20M	2173800	•	1,5	6,6	4,76	2,8	1,5
	■ XDMX 100415 TR-NRH	HAP25M	2173900	•	1,5	6,6	4,76	2,8	1,5
	■ XDMX 100415 TR-NRH	HAP30M	2174000	•	1,5	6,6	4,76	2,8	1,5
	■ XDMX 100415 TR-NRH	HAP35M	2174100	•	1,5	6,6	4,76	2,8	1,5
	■ XDMX 100415 TR-NNH	HAM35M	2173600	•	1,5	6,6	4,76	2,8	1,5
	■ XDMX 100415 TR-NNH	HAM40M	2173700	•	1,5	6,6	4,76	2,8	1,5
	■ XDMX 100415 TR-NKH	HAK15M	2173400	•	1,5	6,6	4,76	2,8	1,5
	■ XDMX 100415 TR-NKH	HAK20M	2173500	•	1,5	6,6	4,76	2,8	1,5
	■ XDMX 100415 TR-OHH	HAH05M	2173200	•	1,5	6,6	4,76	2,8	1,5
	■ XDMX 100415 TR-OHH	HAH10M	2173300	•	1,5	6,6	4,76	2,8	1,5
	<p>N = 2</p>	90° Insert							
■ XDMX 180508 TR-NR		HAP25M	2174900	•	18	9,65	5	4,15	0,8
■ XDMX 180508 TR-NR		HAP35M	2175000	•	18	9,65	5	4,15	0,8
■ XDMX 180508 TR-NR		HAP40M	2175100	•	18	9,65	5	4,15	0,8
■ XDMX 180508 TR-NN		HAM35M	2174700	•	18	9,65	5	4,15	0,8
■ XDMX 180508 TR-NN		HAM40M	2174800	•	18	9,65	5	4,15	0,8
■ XDMX 180508 TR-NK		HAK20M	2174600	•	18	9,65	5	4,15	0,8
■ XDGX 180508 GR-NP		HAN10M	2201300	•	18	9,65	5	4,15	0,8
■ XDGX 180508 GR-NP		HXN10M	2201400	•	18	9,65	5	4,15	0,8
■ XDMX 180512 TR-DP		HAP25M	2175500	•	18	9,65	5	4,15	1,2
■ XDMX 180512 TR-DP		HAP35M	2175600	•	18	9,65	5	4,15	1,2
■ XDMX 180512 TR-DP		HAP40M	2175700	•	18	9,65	5	4,15	1,2
■ XDMX 180512 TR-NN		HAM35M	2175200	•	18	9,65	5	4,15	1,2
■ XDMX 180512 TR-NN		HAM40M	2175300	•	18	9,65	5	4,15	1,2
■ XDMX 180512 TR-DK		HAK20M	2175400	•	18	9,65	5	4,15	1,2
■ XDMX 180516 TR-DP		HAP25M	2176000	•	18	9,65	5	4,15	1,6
■ XDMX 180516 TR-DP		HAP35M	2176100	•	18	9,65	5	4,15	1,6
■ XDMX 180516 TR-NN		HAM35M	2175800	•	18	9,65	5	4,15	1,6
■ XDMX 180516 TR-NN		HAM40M	2175900	•	18	9,65	5	4,15	1,6

# WENDESCHNEIDPLATTEN INDEXABLE INSERTS

heikenei.com

Bild & Zeichnung Image & Drawings	Artikelbezeichnung Item Code	Schneidstoffsorte Cutting materials	Bestell-Nr. Order No	Verfüg. Availability	Abmessungen [mm] Dimensions [mm]					
					l	d	s	d <sub>1</sub>	r	
	■ LNMX 100605 TR-DP	HAP25M	2136100	•	10	6,6	6,35	2,8	0,5	
	■ LNMX 100605 TR-DP	HAP35M	2136200	•	10	6,6	6,35	2,8	0,5	
	■ LNMX 100605 TR-DP	HAP40M	2136300	•	10	6,6	6,35	2,8	0,5	
	■ LNMX 100605 TR-DN	HAM40M	2136000	•	10	6,6	6,35	2,8	0,5	
	■ LNMX 100605 TR-DK	HAK15M	2135800	•	10	6,6	6,35	2,8	0,5	
	■ LNMX 100605 TR-DK	HAK20M	2135900	•	10	6,6	6,35	2,8	0,5	
	■ LNMX 151008 TR-DP	HAP25M	2136700	•	15	9,52	10,0	4,5	0,8	
	■ LNMX 151008 TR-DP	HAP35M	2136800	•	15	9,52	10,0	4,5	0,8	
	■ LNMX 151008 TR-DP	HAP40M	2136900	•	15	9,52	10,0	4,5	0,8	
	■ LNMX 151008 TR-DN	HAM40M	2136600	•	15	9,52	10,0	4,5	0,8	
	■ LNMX 151008 TR-DK	HAK15M	2136400	•	15	9,52	10,0	4,5	0,8	
	■ LNMX 151008 TR-DK	HAK20M	2136500	•	15	9,52	10,0	4,5	0,8	
	N = 4									
	■ LNMX 131308 TR-NR	HAP25M	2176500	•	13	7	13	4,6	0,8	
	■ LNMX 131308 TR-NR	HAP35M	2176600	•	13	7	13	4,6	0,8	
	■ LNMX 131308 TR-NN	HAM40M	2176400	•	13	7	13	4,6	0,8	
	■ LNMX 131308 TR-DP	HAP30M	2176900	•	13	7	13	4,6	0,8	
	■ LNMX 131308 TR-DP	HAP35M	2177000	•	13	7	13	4,6	0,8	
	■ LNMX 131308 TR-DP	HAP40M	2177100	•	13	7	13	4,6	0,8	
	■ LNMX 131308 TR-DK	HAK15M	2176700	•	13	7	13	4,6	0,8	
	■ LNMX 131308 TR-DK	HAK20M	2176800	•	13	7	13	4,6	0,8	
N = 4										
	90° Insert									
	■ XPMX 060204 NR	HAP25M	2177300	•	6	3,64	2,15	2,05	0,4	
	■ XPMX 060204 NR	HAP35M	2177400	•	6	3,64	2,15	2,05	0,4	
	■ XPMX 060204-NN	HAM35M	2177200	•	6	3,64	2,15	2,05	0,4	
	■ XPMX 060220 NH	HAH10M	2178000	•	6	3,64	2,15	2,05	2,0	
	■ XPMX 060220 NH	HAH30M	2178100	•	6	3,64	2,15	2,05	2,0	
N = 2										
	HF Platten/HF insert									
	■ XPMX 060210 NRH	HAP20M	2177800	•	0,7	3,64	2,15	2,05	1	
	■ XPMX 060210 NRH	HAP25M	2177900	•	0,7	3,64	2,15	2,05	1	
	■ XPMX 060210 NNH	HAM35M	2177700	•	0,7	3,64	2,15	2,05	1	
	■ XPMX 060210 NHH	HAH05M	2177500	•	0,7	3,64	2,15	2,05	1	
	■ XPMX 060210 NHH	HAH10M	2177600	•	0,7	3,64	2,15	2,05	1	
N = 2										



# WENDESCHNEIDPLATTEN INDEXABLE INSERTS



Bild & Zeichnung Image & Drawings	Artikelbezeichnung Item Code	Schneidstoffsorte Cutting materials	Bestell-Nr. Order No	Verfüg. Availability	Abmessungen [mm] Dimensions [mm]				
					l	d	s	d <sub>1</sub>	r
<p>N = 8</p>	■ ODMT 060508 TM-NR	HAP20M	2137400	•	6,5	15,88	5,56	5,5	0,8
	■ ODMT 060508 TM-NR	HAP25M	2137500	•	6,5	15,88	5,56	5,5	0,8
	■ ODMT 060508 TM-NR	HAP30M	2137600	•	6,5	15,88	5,56	5,5	0,8
	■ ODMT 060508 TM-NR	HAP35M	2137700	•	6,5	15,88	5,56	5,5	0,8
	■ ODMT 060508 TM-NN	HAM35M	2137200	•	6,5	15,88	5,56	5,5	0,8
	■ ODMT 060508 TM-NN	HAM40M	2137300	•	6,5	15,88	5,56	5,5	0,8
	■ ODMT 060508 TM-OH	HAH05M	2137000	•	6,5	15,88	5,56	5,5	0,8
	■ ODMT 060508 TM-OH	HAH10M	2137100	•	6,5	15,88	5,56	5,5	0,8
<p>N = 8</p>	■ ODMW 060508 TM-DP	HAP30M	2138000	•	6,5	15,88	5,56	5,5	0,8
	■ ODMW 060508 TM-DP	HAP35M	2138100	•	6,5	15,88	5,56	5,5	0,8
	■ ODMW 060508 TM-DP	HAP40M	2138200	•	6,5	15,88	5,56	5,5	0,8
	■ ODMW 060508 TM-DK	HAK15M	2137800	•	6,5	15,88	5,56	5,5	0,8
	■ ODMW 060508 TM-DK	HAK20M	2137900	•	6,5	15,88	5,56	5,5	0,8
<p>N = 8</p>	■ OFER 070405 TM-HP	HAP25M	2138300	•	7	18,1	4,76	-	0,5
<p>N = 8</p>	■ OFEX 05T305 TM-HP	HAP25M	2138400	•	5	12,7	3,97	4,6	0,5
	■ OFEX 05T305 TM-HP	HAP30M	2138500	•	5	12,7	3,97	4,6	0,5
	■ OFEX 05T305 TM-HP	HAP35M	2138600	•	5	12,7	3,97	4,6	0,5
<p>N = 8</p>	■ ONMQ 0506 SW	HAH10M	2178200	•	5	12,7	5,8	5,45	0,8
	■ ONMQ 0806 SW	HAM35M	2178500	•	8	19,1	6,95	6,75	0,8
	■ ONMQ 0806 SW	HAH03M	2178300	•	8	19,1	6,95	6,75	0,8
	■ ONMQ 0806 SW	HAH10M	2178400	•	8	19,1	6,95	6,75	0,8



# WENDESCHNEIDPLATTEN INDEXABLE INSERTS



Bild & Zeichnung Image & Drawings	Artikelbezeichnung Item Code	Schneidstoffsorte Cutting materials	Bestell-Nr. Order No	Verfüg. Availability	Abmessungen [mm] Dimensions [mm]			
					d	s	d <sub>1</sub>	
	■ RDKW 0501 MOS-NR	HAP20M	2142900	•	5	1,5	2,2	
	■ RDKW 0501 MOS-NR	HAP25M	2143000	•	5	1,5	2,2	
	■ RDKW 0501 MOS-NN	HAM35M	2142700	•	5	1,5	2,2	
	■ RDKW 0501 MOS-NN	HAM40M	2142800	•	5	1,5	2,2	
	■ RDKW 0501 MOS-NK	HAK15M	2142500	•	5	1,5	2,2	
	■ RDKW 0501 MOS-NK	HAK20M	2142600	•	5	1,5	2,2	
	■ RDHW 0501 MOS-SH	HAH03M	2139400	•	5	1,5	2,2	
	■ RDKW 0501 MOS-OH	HAH05M	2142300	•	5	1,5	2,2	
	■ RDKW 0501 MOS-OH	HAH10M	2142400	•	5	1,5	2,2	
	■ RDKW 0501 MOS-DH	HAH30M	2143100	•	5	1,5	2,2	
	■ RDKW 0702 MOS-NR	HAP20M	2143800	•	7	2,38	2,7	
	■ RDKW 0702 MOS-NR	HAP25M	2143900	•	7	2,38	2,7	
	■ RDKW 0702 MOS-NR	HAP30M	2144000	•	7	2,38	2,7	
	■ RDKW 0702 MOS-NR	HAP35M	2144100	•	7	2,38	2,7	
	■ RDKW 0702 MOS-NN	HAM35M	2143600	•	7	2,38	2,7	
	■ RDKW 0702 MOS-NN	HAM40M	2143700	•	7	2,38	2,7	
	■ RDKW 0702 MOS-NK	HAK15M	2143400	•	7	2,38	2,7	
	■ RDKW 0702 MOS-NK	HAK20M	2143500	•	7	2,38	2,7	
■ RDHW 0702 MOS-SH	HAH03M	2139500	•	7	2,38	2,7		
■ RDHW 0702 MOS-OH	HAH05M	2139600	•	7	2,38	2,7		
■ RDHW 0702 MOS-OH	HAH10M	2139700	•	7	2,38	2,7		
■ RDHW 0702 MOS-DH	HAH30M	2139800	•	7	2,38	2,7		
■ RDKW 0702 MOS-OH	HAH05M	2143200	•	7	2,38	2,7		
■ RDKW 0702 MOS-OH	HAH10M	2143300	•	7	2,38	2,7		
■ RDKW 0702 MOS-DH	HAH30M	2144200	•	7	2,38	2,7		
	■ RDKW 1003 MOS-NR	HAP20M	2144900	•	10	3,18	3,9	
	■ RDKW 1003 MOS-NR	HAP25M	2145000	•	10	3,18	3,9	
	■ RDKW 1003 MOS-NR	HAP30M	2145100	•	10	3,18	3,9	
	■ RDKW 1003 MOS-NR	HAP35M	2145200	•	10	3,18	3,9	
	■ RDKW 1003 MOS-NN	HAM35M	2144700	•	10	3,18	3,9	
	■ RDKW 1003 MOS-NN	HAM40M	2144800	•	10	3,18	3,9	
	■ RDKW 1003 MOS-NK	HAK15M	2144500	•	10	3,18	3,9	
	■ RDKW 1003 MOS-NK	HAK20M	2144600	•	10	3,18	3,9	
	■ RDHW 1003 MOS-SH	HAH03M	2139900	•	10	3,18	3,9	
	■ RDHW 1003 MOS-OH	HAH05M	2140000	•	10	3,18	3,9	
	■ RDHW 1003 MOS-OH	HAH10M	2140100	•	10	3,18	3,9	
	■ RDHW 1003 MOS-DH	HAH30M	2140200	•	10	3,18	3,9	
	■ RDKW 1003 MOS-OH	HAH05M	2144300	•	10	3,18	3,9	
	■ RDKW 1003 MOS-OH	HAH10M	2144400	•	10	3,18	3,9	
	■ RDKW 1003 MOS-DH	HAH30M	2145300	•	10	3,18	3,9	
		■ RDKW 12T3 MOS-NR	HAP20M	2145800	•	12	3,97	3,9
		■ RDKW 12T3 MOS-NR	HAP25M	2145900	•	12	3,97	3,9
		■ RDKW 12T3 MOS-NR	HAP30M	2146000	•	12	3,97	3,9
■ RDKW 12T3 MOS-NR		HAP35M	2146100	•	12	3,97	3,9	
■ RDKW 12T3 MOS-NK		HAK15M	2145600	•	12	3,97	3,9	
■ RDKW 12T3 MOS-NK		HAK20M	2145700	•	12	3,97	3,9	
■ RDHW 12T3 MOS-SH		HAH03M	2140300	•	12	3,97	3,9	
■ RDHW 12T3 MOS-OH		HAH05M	2140400	•	12	3,97	3,9	
■ RDHW 12T3 MOS-OH		HAH10M	2140500	•	12	3,97	3,9	
■ RDHW 12T3 MOS-DH		HAH30M	2140600	•	12	3,97	3,9	
■ RDKW 12T3 MOS-OH		HAH05M	2145400	•	12	3,97	3,9	
■ RDKW 12T3 MOS-OH		HAH10M	2145500	•	12	3,97	3,9	
■ RDKW 12T3 MOS-DH		HAH30M	2146200	•	12	3,97	3,9	



# WENDESCHNEIDPLATTEN

## INDEXABLE INSERTS

heikenei.com

Bild & Zeichnung Image & Drawings	Artikelbezeichnung Item Code	Schneidstoffsorte Cutting materials	Bestell-Nr. Order No	Verfüg. Availability	Abmessungen [mm] Dimensions [mm]		
					d	s	d <sub>1</sub>
	■ RDKW 1604 MOS-NR	HAP20M	2146700	•	16	4,76	5,2
	■ RDKW 1604 MOS-NR	HAP25M	2146800	•	16	4,76	5,2
	■ RDKW 1604 MOS-NR	HAP30M	2146900	•	16	4,76	5,2
	■ RDKW 1604 MOS-NR	HAP35M	2147000	•	16	4,76	5,2
	■ RDKW 1604 MOS-NK	HAK15M	2146500	•	16	4,76	5,2
	■ RDKW 1604 MOS-NK	HAK20M	2146600	•	16	4,76	5,2
	■ RDHW 1604 MOS-SH	HAH03M	2140700	•	16	4,76	5,2
	■ RDHW 1604 MOS-OH	HAH05M	2140800	•	16	4,76	5,2
	■ RDHW 1604 MOS-OH	HAH10M	2140900	•	16	4,76	5,2
	■ RDHW 1604 MOS-DH	HAH30M	2141000	•	16	4,76	5,2
	■ RDKW 1604 MOS-OH	HAH05M	2146300	•	16	4,76	5,2
	■ RDKW 1604 MOS-OH	HAH10M	2146400	•	16	4,76	5,2
	■ RDKW 1604 MOS-DH	HAH30M	2147100	•	16	4,76	5,2
	■ REMW 1304 MO-NR	HAP20M	2180800	•	13,2	4,76	4,6
	■ REMW 1304 MO-NR	HAP25M	2180900	•	13,2	4,76	4,6
	■ REMW 1304 MO-NR	HAP30M	2181000	•	13,2	4,76	4,6
	■ REMW 1304 MO-NR	HAP35M	2181100	•	13,2	4,76	4,6
	■ REMW 1304 MO-NN	HAM40M	2180700	•	13,2	4,76	4,6
	■ REMW 1304 MO-NK	HAK15M	2180500	•	13,2	4,76	4,6
	■ REMW 1304 MO-NK	HAK20M	2180600	•	13,2	4,76	4,6
	■ REMW 1304 MO-OH	HAH05M	2180200	•	13,2	4,76	4,6
	■ REMW 1304 MO-OH	HAH10M	2180300	•	13,2	4,76	4,6
	■ REMW 1304 MO-OH	HAH30M	2180400	•	13,2	4,76	4,6
N = 7							
	■ RPMX 10T3M0 NU	HAS35M	2181300	•	10	3,97	3,9
	■ RPMX 10T3M0 NU	HAS40M	2181200	•	10	3,97	3,9
N = 8							
	■ RPMX 1204M0 NU	HAS35M	2181500	•	12	4,76	3,9
	■ RPMX 1204M0 NU	HAS40M	2181400	•	12	4,76	3,9
N = 6							

# WENDESCHNEIDPLATTEN INDEXABLE INSERTS



Bild & Zeichnung Image & Drawings	Artikelbezeichnung Item Code	Schneidstoffsorte Cutting materials	Bestell-Nr. Order No	Verfüg. Availability	Abmessungen [mm] Dimensions [mm]				
					l	d	s	d <sub>1</sub>	r
	■ SCMX 120512	HAP30M	2147200	•	12,70	12,70	5,56	5,5	1,2
<p>N = 4</p>	■ SDHT 1204 AESN	HAP25M	2147500	•	12,70	12,70	4,76	5,5	-
	■ SDHT 1204 AESN	HAP30M	2147600	•	12,70	12,70	4,76	5,5	-
	■ SDHT 1204 AESN	HAP35M	2147700	•	12,70	12,70	4,76	5,5	-
	■ SDHT 1204 AESN-HN	HAM40M	2147800	•	12,70	12,70	4,76	5,5	-
	■ SDHT 1204 AESN	HAK15M	2147400	•	12,70	12,70	4,76	5,5	-
	■ SDHT 1204 AEFN-ALA	HAN10M	2202300	•	12,70	12,70	4,76	5,5	-
	■ SDHT 1204 AEFN-ALA	HXN10M	2202400	•	12,70	12,70	4,76	5,5	-
	■ SDHT 1504 AESN	HAP30M	2147900	•	15,88	15,88	4,76	5,5	-
■ SDHT 1504 AEFN-ALA	HXN10M	2202900	•	15,88	15,88	4,76	5,5	-	
<p>N = 4</p>	■ SDMT 090308	HAP25M	2148100	•	9,52	9,52	3,18	4	0,8
	■ SDMT 120408 TM	HAP30M	2148200	•	12,70	12,70	4,76	5,5	0,8
	■ SDMT 1205 PDSR-HP	HAP30M	2148500	•	12,70	12,70	5,56	5,5	0,8
	■ SDMT 1205 PDSR-HP	HAP35M	2148600	•	12,70	12,70	5,56	5,5	0,8
	■ SDMT 1205 PDSR-HP	HAK20M	2148400	○	12,70	12,70	5,56	5,5	0,8
<p>N = 4</p>									

# WENDESCHNEIDPLATTEN

## INDEXABLE INSERTS

heikenei.com

Bild & Zeichnung Image & Drawings	Artikelbezeichnung Item Code	Schneidstoffsorte Cutting materials	Bestell-Nr. Order No	Verfüg. Availability	Abmessungen [mm] Dimensions [mm]					
					l	d	s	d <sub>1</sub>	r	
	HF Platten/HF insert									
	■ SDMT 060212 NRH	HAP25M	2182000	•	1,0	6,75	2,5	2,5	1,2	
	■ SDMT 060212 NNH	HAM35M	2181900	•	1,0	6,75	2,5	2,5	1,2	
	■ SDMT 060212 NFH	HAS35M	2182100	○	1,0	6,75	2,5	2,5	1,2	
	■ SDMT 060212 NHH	HAH10M	2181700	•	1,0	6,75	2,5	2,5	1,2	
	■ SDMT 060212 NHH	HAH30M	2181800	•	1,0	6,75	2,5	2,5	1,2	
N = 4										
	90° Insert									
	■ SDHT 100404 GR-NP	HAN10M	2201900	•	10,4	10,4	4,86	3,5	0,4	
	■ SDHT 100404 GR-NP	HXN10M	2202000	•	10,4	10,4	4,86	3,5	0,4	
	■ SDMT 100408 TR-NR	HAP25M	2182500	•	10,4	10,4	4,86	3,5	0,8	
	■ SDMT 100408 TR-NR	HAP35M	2182600	•	10,4	10,4	4,86	3,5	0,8	
	■ SDMT 100408 TR-NR	HAP40M	2182700	•	10,4	10,4	4,86	3,5	0,8	
	■ SDMT 100408 ER-NN	HAM35M	2182200	•	10,4	10,4	4,86	3,5	0,8	
	■ SDMT 100408 ER-NN	HAM40M	2182300	•	10,4	10,4	4,86	3,5	0,8	
	■ SDMT 100408 TR-NK	HAK20M	2182400	•	10,4	10,4	4,86	3,5	0,8	
	■ SDHT 100408 GR-NP	HAN10M	2202100	•	10,4	10,4	4,86	3,5	0,8	
	■ SDHT 100408 GR-NP	HXN10M	2202200	•	10,4	10,4	4,86	3,5	0,8	
	N = 4									
	HF Platten/HF inserts									
	■ SDMT 100415 TR-NRH	HAP20M	2183300	•	1,1	10,2	4,86	3,5	1,5	
	■ SDMT 100415 TR-NRH	HAP25M	2183400	•	1,1	10,2	4,86	3,5	1,5	
	■ SDMT 100415 TR-NRH	HAP30M	2183500	•	1,1	10,2	4,86	3,5	1,5	
	■ SDMT 100415 TR-NRH	HAP35M	2183600	•	1,1	10,2	4,86	3,5	1,5	
	■ SDMT 100415 ER-NNH	HAM35M	2182900	•	1,1	10,2	4,86	3,5	1,5	
	■ SDMT 100415 ER-NNH	HAM40M	2183000	•	1,1	10,2	4,86	3,5	1,5	
	■ SDGT 100415 TR-NTH	HAS35M	2181600	•	1,1	10,2	4,86	3,5	1,5	
	■ SDMT 100415 TR-NFH	HAS35M	2183700	•	1,1	10,2	4,86	3,5	1,5	
	■ SDMT 100415 TR-NFH	HAS40M	2183800	○	1,1	10,2	4,86	3,5	1,5	
	■ SDMT 100415 TR-OHH	HAH10M	2183100	•	1,1	10,2	4,86	3,5	1,5	
	■ SDMT 100415 TR-OHH	HAH30M	2183200	•	1,1	10,2	4,86	3,5	1,5	
N = 4										
	HF Platten/HF inserts									
	■ SDMW 100415 TR-DPH	HAP20M	2186500	•	1,1	10,2	4,86	3,5	1,5	
	■ SDMW 100415 TR-DPH	HAP25M	2186600	•	1,1	10,2	4,86	3,5	1,5	
	■ SDMW 100415 TR-DPH	HAP30M	2186700	•	1,1	10,2	4,86	3,5	1,5	
	■ SDMW 100415 TR-DPH	HAP35M	2186800	•	1,1	10,2	4,86	3,5	1,5	
	■ SDMW 100415 TR-DKH	HAK15M	2186300	•	1,1	10,2	4,86	3,5	1,5	
	■ SDMW 100415 TR-DKH	HAK20M	2186400	•	1,1	10,2	4,86	3,5	1,5	
	■ SDMW 100415 TR-DHH	HAH05M	2186000	•	1,1	10,2	4,86	3,5	1,5	
	■ SDMW 100415 TR-DHH	HAH10M	2186100	•	1,1	10,2	4,86	3,5	1,5	
	■ SDMW 100415 TR-DHH	HAH30M	2186200	•	1,1	10,2	4,86	3,5	1,5	
N = 4										

# WENDESCHNEIDPLATTEN INDEXABLE INSERTS



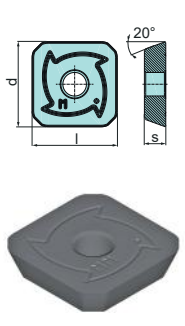
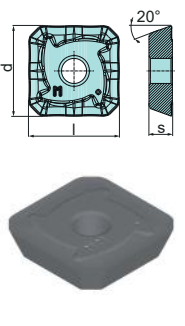
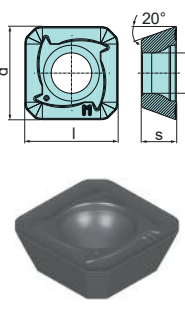
Bild & Zeichnung Image & Drawings	Artikelbezeichnung Item Code	Schneidstoffsorte Cutting materials	Bestell-Nr. Order No	Verfüg. Availability	Abmessungen [mm] Dimensions [mm]				
					l	d	s	d <sub>1</sub>	r
	90° Insert								
	■ SDHT 140508 GR-NP	HAN10M	2202500	•	14,8	14,8	5,2	5,5	0,8
	■ SDHT 140508 GR-NP	HXN10M	2202600	•	14,8	14,8	5,2	5,5	0,8
	■ SDMT 140512 TR-NR	HAP25M	2184200	•	14,8	14,8	5,2	5,5	1,2
	■ SDMT 140512 TR-NR	HAP35M	2184300	•	14,8	14,8	5,2	5,5	1,2
	■ SDMT 140512 TR-NR	HAP40M	2184400	•	14,8	14,8	5,2	5,5	1,2
	■ SDMT 140512 ER-NN	HAM35M	2183900	•	14,8	14,8	5,2	5,5	1,2
	■ SDMT 140512 ER-NN	HAM40M	2184000	•	14,8	14,8	5,2	5,5	1,2
	■ SDMT 140512 TR-NK	HAK20M	2184100	•	14,8	14,8	5,2	5,5	1,2
	■ SDHT 140512 GR-NP	HAN10M	2202700	•	14,8	14,8	5,2	5,5	1,2
	■ SDHT 140512 GR-NP	HXN10M	2202800	•	14,8	14,8	5,2	5,5	1,2
	N=4								
	HF Platten/HF inserts								
	■ SDMT 140520 TR-NRH	HAP20M	2184800	•	2,2	14,7	5	5,5	2
	■ SDMT 140520 TR-NRH	HAP25M	2184900	•	2,2	14,7	5	5,5	2
	■ SDMT 140520 TR-NRH	HAP30M	2185000	•	2,2	14,7	5	5,5	2
	■ SDMT 140520 TR-NRH	HAP35M	2185100	•	2,2	14,7	5	5,5	2
	■ SDMT 140520 ER-NNH	HAM35M	2184500	•	2,2	14,7	5	5,5	2
	■ SDMT 140520 ER-NNH	HAM40M	2184600	•	2,2	14,7	5	5,5	2
	■ SDMT 140520 TR-NFH	HAS35M	2185200	•	2,2	14,7	5	5,5	2
	■ SDMT 140520 TR-NFH	HAS40M	2185300	○	2,2	14,7	5	5,5	2
	■ SDMT 140520 TR-OHH	HAH10M	2184700	•	2,2	14,7	5	5,5	2
	■ SDMW 140520 TR-DPH	HAP20M	2187400	•	2,2	14,7	5	5,5	2
	■ SDMW 140520 TR-DPH	HAP25M	2187500	•	2,2	14,7	5	5,5	2
	■ SDMW 140520 TR-DPH	HAP30M	2187600	•	2,2	14,7	5	5,5	2
	■ SDMW 140520 TR-DPH	HAP35M	2187700	•	2,2	14,7	5	5,5	2
	■ SDMW 140520 TR-DKH	HAK15M	2187200	•	2,2	14,7	5	5,5	2
	■ SDMW 140520 TR-DKH	HAK20M	2187300	•	2,2	14,7	5	5,5	2
	■ SDMW 140520 TR-DHH	HAH05M	2186900	•	2,2	14,7	5	5,5	2
	■ SDMW 140520 TR-DHH	HAH10M	2187000	•	2,2	14,7	5	5,5	2
	■ SDMW 140520 TR-DHH	HAH30M	2187100	•	2,2	14,7	5	5,5	2
	N=4								
	HF Platten/HF inserts								
	■ SDMT 180630 TR-NRH	HAP25M	2185700	•	3,0	18,7	6	6,5	3
	■ SDMT 180630 TR-NRH	HAP35M	2185800	•	3,0	18,7	6	6,5	3
	■ SDMT 180630 TR-NNH	HAM35M	2185500	•	3,0	18,7	6	6,5	3
	■ SDMT 180630 TR-NNH	HAM40M	2185600	•	3,0	18,7	6	6,5	3
	■ SDMT 180630 TR-NFH	HAS35M	2185900	○	3,0	18,7	6	6,5	3
	■ SDMT 180630 TR-OHH	HAH30M	2185400	○	3,0	18,7	6	6,5	3
	■ SDMW 180630 TR-DPH	HAP35M	2188100	•	3,0	18,7	6	6,5	3
	■ SDMW 180630 TR-DPH	HAP40M	2188200	•	3,0	18,7	6	6,5	3
	■ SDMW 180630 TR-DKH	HAK15M	2187900	•	3,0	18,7	6	6,5	3
	■ SDMW 180630 TR-DKH	HAK20M	2188000	•	3,0	18,7	6	6,5	3
	■ SDMW 180630 TR-DHH	HAH30M	2187800	•	3,0	18,7	6	6,5	3
N=4									



# WENDESCHNEIDPLATTEN

## INDEXABLE INSERTS

heikenei.com

Bild & Zeichnung Image & Drawings	Artikelbezeichnung Item Code	Schneidstoffsorte Cutting materials	Bestell-Nr. Order No	Verfüg. Availability	Abmessungen [mm] Dimensions [mm]				
					l	d	s	d <sub>1</sub>	r
 <p>N = 4</p>	SEKN 1203 AFSN-NR	HAP25M	2149000	•	12,70	12,70	3,18	-	-
	SEKN 1203 AFSN-NR	HAP30M	2149100	•	12,70	12,70	3,18	-	-
	SEKN 1203 AFSN-NR	HAP35M	2149200	•	12,70	12,70	3,18	-	-
	SEKN 1203 AFEN-NN	HAM40M	2148700	•	12,70	12,70	3,18	-	-
	SEKN 1203 AFSN-NK	HAK15M	2148800	•	12,70	12,70	3,18	-	-
	SEKN 1203 AFSN-NK	HAK20M	2148900	•	12,70	12,70	3,18	-	-
	SEKN 1504 AFSN-NR	HAP20M	2149600	•	15,88	15,88	4,76	-	-
	SEKN 1504 AFSN-NR	HAP25M	2149700	•	15,88	15,88	4,76	-	-
	SEKN 1504 AFSN-NR	HAP30M	2149800	•	15,88	15,88	4,76	-	-
	SEKN 1504 AFSN-NR	HAP35M	2149900	•	15,88	15,88	4,76	-	-
	SEKN 1504 AFSN-NR	HAP40M	2150000	•	15,88	15,88	4,76	-	-
	SEKN 1504 AFEN-NN	HAM35M	2149300	•	15,88	15,88	4,76	-	-
	SEKN 1504 AFEN-NN	HAM40M	2149400	•	15,88	15,88	4,76	-	-
	SEKN 1504 AFSN-NK	HAK15M	2149500	•	15,88	15,88	4,76	-	-
 <p>N = 4</p>	SEKR 1203 AFSN-NR	HAP25M	2150200	•	12,70	12,70	3,18	-	-
	SEKR 1203 AFSN-NR	HAP30M	2150300	•	12,70	12,70	3,18	-	-
	SEKR 1203 AFSN-NR	HAP35M	2150400	•	12,70	12,70	3,18	-	-
	SEKR 1203 AFSN-NR	HAP35M	2150400	•	12,70	12,70	3,18	-	-
	SEKR 1203 AFEN-NN	HAM40M	2150100	•	12,70	12,70	3,18	-	-
 <p>N = 4</p>	SEKT 1204 AFSN-NR	HAP20M	2150700	•	12,70	12,70	4,76	5,5	-
	SEKT 1204 AFSN-NR	HAP25M	2150800	•	12,70	12,70	4,76	5,5	-
	SEKT 1204 AFSN-NR	HAP30M	2150900	•	12,70	12,70	4,76	5,5	-
	SEKT 1204 AFSN-NR	HAP35M	2151000	•	12,70	12,70	4,76	5,5	-
	SEKT 1204 AFEN-NN	HAM35M	2150500	•	12,70	12,70	4,76	5,5	-
	SEKT 1204 AFEN-NN	HAM40M	2150600	•	12,70	12,70	4,76	5,5	-
	SEHT 1204 AFFN-ALA	HAN10M	2203000	•	12,70	12,70	4,76	5,5	-
	SEHT 1204 AFFN-ALA	HXN10M	2203100	•	12,70	12,70	4,76	5,5	-
	SEKT 13T3 AFSN-NR	HAP20M	2151300	•	13,4	13,4	3,97	4,2	-
	SEKT 13T3 AFSN-NR	HAP25M	2151400	•	13,4	13,4	3,97	4,2	-
	SEKT 13T3 AFSN-NR	HAP30M	2151500	•	13,4	13,4	3,97	4,2	-
	SEKT 13T3 AFSN-NR	HAP35M	2151600	•	13,4	13,4	3,97	4,2	-
	SEKT 13T3 AFEN-NN	HAM35M	2151100	•	13,4	13,4	3,97	4,2	-
	SEKT 13T3 AFEN-NN	HAM40M	2151200	•	13,4	13,4	3,97	4,2	-
	SEHT 13T3 AZFN-NP	HAN10M	2203200	•	13,4	13,4	3,97	4,2	-
SEHT 13T3 AZFN-NP	HXN10M	2203300	•	13,4	13,4	3,97	4,2	-	

# WENDESCHNEIDPLATTEN INDEXABLE INSERTS

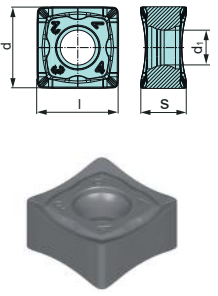
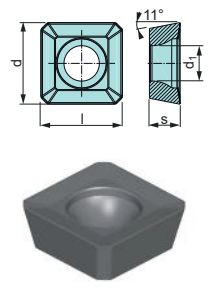
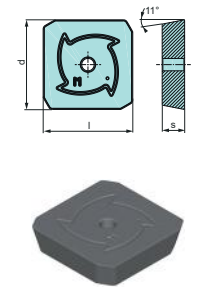


Bild & Zeichnung Image & Drawings	Artikelbezeichnung Item Code	Schneidstoffsorte Cutting materials	Bestell-Nr. Order No	Verfüg. Availability	Abmessungen [mm] Dimensions [mm]				
					l	d	s	d <sub>1</sub>	r
<p>N = 4</p>	■ SEKW 1204 AFSN-NR	HAP25M	2152000	●	12,70	12,70	4,76	5,5	-
	■ SEKW 1204 AFSN-NR	HAP30M	2152100	●	12,70	12,70	4,76	5,5	-
	■ SEKW 1204 AFSN-NR	HAP35M	2152200	●	12,70	12,70	4,76	5,5	-
	■ SEKW 1204 AFSN-NR	HAP40M	2152300	●	12,70	12,70	4,76	5,5	-
	■ SEKW 1204 AFEN-NN	HAM40M	2151700	●	12,70	12,70	4,76	5,5	-
	■ SEKW 1204 AFSN-NK	HAK15M	2151800	●	12,70	12,70	4,76	5,5	-
	■ SEKW 1204 AFSN-NK	HAK20M	2151900	●	12,70	12,70	4,76	5,5	-
	■ SEKW 13T3 AFSN-NR	HAP25M	2152700	●	13,4	13,4	3,97	4,2	-
	■ SEKW 13T3 AFSN-NR	HAP30M	2152800	●	13,4	13,4	3,97	4,2	-
	■ SEKW 13T3 AFSN-NR	HAP35M	2152900	●	13,4	13,4	3,97	4,2	-
	■ SEKW 13T3 AFSN-NR	HAP40M	2153000	●	13,4	13,4	3,97	4,2	-
	■ SEKW 13T3 AFEN-NN	HAM40M	2152400	●	13,4	13,4	3,97	4,2	-
	■ SEKW 13T3 AFSN-NK	HAK15M	2152500	●	13,4	13,4	3,97	4,2	-
	■ SEKW 13T3 AFSN-NK	HAK20M	2152600	●	13,4	13,4	3,97	4,2	-
<p>N = 2</p>	■ SNEX 1206 SW	HAM35M	2153100	●	12,70	12,70	5,8	5,2	-
<p>N = 8</p>	■ SNMX 1206 ANSN-NR	HAP20M	2153600	●	12,70	12,70	5,8	5,2	-
	■ SNMX 1206 ANSN-NR	HAP25M	2153700	●	12,70	12,70	5,8	5,2	-
	■ SNMX 1206 ANSN-NR	HAP30M	2153800	●	12,70	12,70	5,8	5,2	-
	■ SNMX 1206 ANSN-NR	HAP35M	2153900	●	12,70	12,70	5,8	5,2	-
	■ SNMX 1206 ANSN-NN	HAM35M	2153400	●	12,70	12,70	6,2	5,2	-
	■ SNMX 1206 ANSN-NN	HAM40M	2153500	●	12,70	12,70	6,2	5,2	-
	■ SNMX 1206 ANSN-NK	HAK15M	2153200	●	12,70	12,70	5,8	5,2	-
	■ SNMX 1206 ANSN-NK	HAK20M	2153300	●	12,70	12,70	5,8	5,2	-
	■ SNHX 1206 ANFN-NP	HAN10M	2203400	●	12,7	12,7	6,2	5,2	-
	■ SNHX 1206 ANFN-NP	HXN10M	2203500	●	12,7	12,7	6,2	5,2	-
	■ SNMX 1206 ANSN-NU	HAS35M	2154000	●	12,70	12,70	6,2	5,2	-
■ SNMX 1206 ANSN-NU	HAS40M	2154100	○	12,70	12,70	6,2	5,2	-	

# WENDESCHNEIDPLATTEN

## INDEXABLE INSERTS

heikenei.com

Bild & Zeichnung Image & Drawings	Artikelbezeichnung Item Code	Schneidstoffsorte Cutting materials	Bestell-Nr. Order No	Verfüg. Availability	Abmessungen [mm] Dimensions [mm]				
					l	d	s	d <sub>1</sub>	r
 <p>N = 8</p>	■ SNMX 120608 TM-NR	HAP30M	2154500	•	12,70	12,70	5,8	5,2	0,8
	■ SNMX 120608 TM-NR	HAP35M	2154600	•	12,70	12,70	5,8	5,2	0,8
	■ SNMX 120608 TM-NN	HAM40M	2154400	•	12,70	12,70	6,2	5,2	0,8
	■ SNMX 120608 TM-NK	HAK15M	2154200	•	12,70	12,70	5,8	5,2	0,8
	■ SNMX 120608 TM-NK	HAK20M	2154300	•	12,70	12,70	5,8	5,2	0,8
	■ SNMX 120612 TM-NR	HAP30M	2154900	•	12,70	12,70	5,8	5,2	1,2
	■ SNMX 120612 TM-NR	HAP35M	2155000	•	12,70	12,70	5,8	5,2	1,2
	■ SNMX 120612 TM-NK	HAK15M	2154700	•	12,70	12,70	5,8	5,2	1,2
	■ SNMX 120612 TM-NK	HAK20M	2154800	•	12,70	12,70	5,8	5,2	1,2
	 <p>N = 4</p>	■ SPET 1204 ADSN-NR	HAP35M	2155100	•	12,70	12,70	4,76	5,2
 <p>N = 4</p>	■ SPKN 1203 EDSR-NR	HAP20M	2155400	•	12,70	12,70	3,18	-	-
	■ SPKN 1203 EDSR-NR	HAP25M	2155500	•	12,70	12,70	3,18	-	-
	■ SPKN 1203 EDSR-NR	HAP30M	2155600	•	12,70	12,70	3,18	-	-
	■ SPKN 1203 EDSR-NR	HAP35M	2155700	•	12,70	12,70	3,18	-	-
	■ SPKN 1203 EDSR-NK	HAK15M	2155200	•	12,70	12,70	3,18	-	-
	■ SPKN 1203 EDSR-NK	HAK20M	2155300	•	12,70	12,70	3,18	-	-
	■ SPKN 1504 EDSR-NR	HAP20M	2156000	•	15,88	15,88	4,76	-	-
	■ SPKN 1504 EDSR-NR	HAP25M	2156100	•	15,88	15,88	4,76	-	-
	■ SPKN 1504 EDSR-NR	HAP30M	2156200	•	15,88	15,88	4,76	-	-
	■ SPKN 1504 EDSR-NR	HAP35M	2156300	•	15,88	15,88	4,76	-	-
	■ SPKN 1504 EDSR-NK	HAK15M	2155800	•	15,88	15,88	4,76	-	-
	■ SPKN 1504 EDSR-NK	HAK20M	2155900	•	15,88	15,88	4,76	-	-
	■ SPKN 2506 DZSR-NR	HAP30M	2156400	•	25,4	25,4	6,35	-	-
	■ SPKN 2506 DZSR-NR	HAP35M	2156500	•	25,4	25,4	6,35	-	-

# WENDESCHNEIDPLATTEN INDEXABLE INSERTS



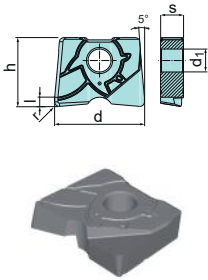
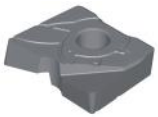
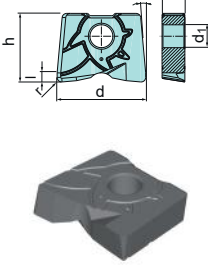
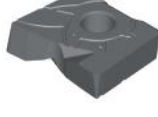
Bild & Zeichnung Image & Drawings	Artikelbezeichnung Item Code	Schneidstoffsorte Cutting materials	Bestell-Nr. Order No	Verfüg. Availability	Abmessungen [mm] Dimensions [mm]				
					l	d	s	d <sub>1</sub>	r
<p>N = 4</p>	■ SPKN2006-ADSM	HAP20M	2331700	•	20	20	6,35		
	■ SPKN2006-ADSM	HAP35M	2331800	•	20	20	6,35		
	■ SPKN2006-ADSM	HAM40M	2331900	•	20	20	6,35		
	■ SPKN2706-ADSM	HAP35M	2332900	•	27	27	6,35		
<p>N = 4</p>	■ SPKR 1203 EDSR	HAP30M	2156600	•	12,70	12,70	3,18	-	-
<p>N = 4</p>	■ SPMT 060304	HAP30M	2156700	•	6,35	6,35	3,18	3,4	0,4
	■ SPMT 120408-TM	HAP30M	2156800	•	12,70	12,70	4,76	5,2	0,8
	■ SPMT 120408-TM	HAP35M	2156900	•	12,70	12,70	4,76	5,2	0,8
<p>N = 4</p>	■ SPMW 120408	HAK15M	2157000	•	12,70	12,70	4,76	5,2	0,8
<p>N = 3</p>	■ TCMT 110202 NE	HAP25M	2157100	•	10,4	6,35	2,38	2,8	0,2
	■ TCMT 16T304 NE	HAP25M	2157200	•	15,5	9,52	3,97	4,4	0,4
	■ TCMT 16T304 NE	HAK20M	2157300	○	15,5	9,52	3,97	4,4	0,4



# WENDESCHNEIDPLATTEN

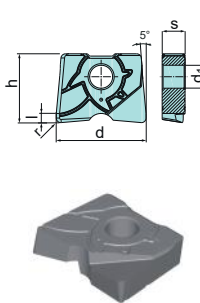
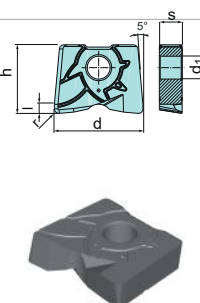
## INDEXABLE INSERTS

heikenei.com

Bild & Zeichnung Image & Drawings	Artikelbezeichnung Item Code	Schneidstoffsorte Cutting materials	Bestell-Nr. Order No	Verfüg. Availability	Abmessungen [mm] Dimensions [mm]						
					h	l	d	s	d <sub>1</sub>	r	
  N = 2	■ HTE 0810 FHS	HAH10M	2191600	•	7	2	8	2,4	2,5	1	
	■ HTE 1005 FHS	HAH10M	2192700	•	8,5	2	10	2,6	3	0,5	
	■ HTE 1010 FHS	HAH10M	2193000	•	8,5	2	10	2,6	3	1	
	■ HTE 1015 FHS	HAH10M	2193200	○	8,5	2	10	2,6	3	1,5	
	■ HTE 1205 FHS	HAH10M	2193400	•	10	2	12	3	3,5	0,5	
	■ HTE 1210 FHS	HAH10M	2193600	•	10	2	12	3	3,5	1	
	■ HTE 1215 FHS	HAH10M	2193800	○	10	2	12	3	3,5	1,5	
	■ HTE 1220 FHS	HAH10M	2194000	•	10	3	12	3	3,5	2	
	■ HTE 1605 FHS	HAH10M	2194200	○	12	2	16	4	4	0,5	
	■ HTE 1610 FHS	HAH10M	2194400	•	12	2	16	4	4	1	
	■ HTE 1615 FHS	HAH10M	2194600	○	12	2	16	4	4	1,5	
	■ HTE 1630 FHS	HAH10M	2194800	•	12	4	15	4	4	3	
	■ HTE 2010 FHS	HAH10M	2195000	•	15	2	20	5	5	1	
	■ HTE 2040 FHS	HAH10M	2195200	○	15	5	20	5	5	4	
	■ HTE 2510 FHS	HAH10M	2195400	•	18,5	2	25	6	6	1	
	■ HTE 2550 FHS	HAH10M	2195600	○	18,5	6	25	6	6	5	
	  N = 2	■ HTE 0805 NHO	HAH10M	2191300	○	7	1,5	8	2,4	2,5	0,5
		■ HTE 0806 NHO	HAH10M	2191400	•	7	1,6	8	2,4	2,5	0,6
		■ HTE 0810 NHO	HAH10M	2191500	•	7	2	8	2,4	2,5	1
		■ HTE 0820 NHO	HAH10M	2191700	○	7	3	8	2,4	2,5	2,0
■ HTE 1005 NHO		HAH10M	2192600	•	8,5	1,5	10	2,6	3	0,5	
■ HTE 1008 NHO		HAH10M	2192800	•	8,5	1,8	10	2,6	3	0,8	
■ HTE 1010 NHO		HAH10M	2192900	•	8,5	2	10	2,6	3	1	
■ HTE 1015 NHO		HAH10M	2193100	○	8,5	2	10	2,6	3	1,5	
■ HTE 1205 NHO		HAH10M	2193300	•	10	1,5	12	3	3,5	0,5	
■ HTE 1210 NHO		HAH10M	2193500	•	10	2	12	3	3,5	1	
■ HTE 1215 NHO		HAH10M	2193700	○	10	2	12	3	3,5	1,5	
■ HTE 1220 NHO		HAH10M	2193900	•	10	3	12	3	3,5	2	
■ HTE 1605 NHO		HAH10M	2194100	○	12	2	16	4	4	0,5	
■ HTE 1610 NHO		HAH10M	2194300	•	12	2	16	4	4	1	
■ HTE 1615 NHO		HAH10M	2194500	○	12	2	16	4	4	1,5	
■ HTE 1630 NHO		HAH10M	2194700	•	12	4	16	4	4	3	
■ HTE 2010 NHO		HAH10M	2194900	•	15	2	20	5	5	1	
■ HTE 2040 NHO		HAH10M	2195100	•	15	5	20	5	5	4	
■ HTE 2510 NHO		HAH10M	2195300	•	18,5	2	25	6	6	1	
■ HTE 2550 NHO		HAH10M	2195500	•	18,5	6	25	6	6	5	

# WENDESCHNEIDPLATTEN INCH

## INDEXABLE INSERTS INCH

Bild & Zeichnung Image & Drawings	Artikelbezeichnung Item Code	Schneid- stoffsorte Cutting materials	Bestell-Nr. Order No	Verfüg. Availability	Abmessungen [INCH] Dimensions [INCH]					
					h	l	d	s	d <sub>1</sub>	r
	■ HTE 03120015 FHS	HAH10M	2188400	○	0.273	0.054	0.312	0.094	0.098	0.015
	■ HTE 03120031 FHS	HAH10M	2188600	○	0.273	0.070	0.312	0.094	0.098	0.031
	■ HTE 03120062 FHS	HAH10M	2188800	○	0.273	0.100	0.312	0.094	0.098	0.062
	■ HTE 03750015 FHS	HAH10M	2189000	○	0.324	0.054	0.375	0.102	0.119	0.015
	■ HTE 03750031 FHS	HAH10M	2189200	●	0.324	0.070	0.375	0.102	0.119	0.031
	■ HTE 03750062 FHS	HAH10M	2189400	●	0.324	0.100	0.375	0.102	0.119	0.062
	■ HTE 05000015 FHS	HAH10M	2189600	○	0.406	0.054	0.500	0.119	0.138	0.015
	■ HTE 05000031 FHS	HAH10M	2189800	●	0.406	0.070	0.500	0.119	0.138	0.031
	■ HTE 05000062 FHS	HAH10M	2190000	●	0.406	0.100	0.500	0.119	0.138	0.062
	■ HTE 06250031 FHS	HAH10M	2190200	○	0.468	0.070	0.625	0.157	0.157	0.031
	■ HTE 06250062 FHS	HAH10M	2190400	○	0.468	0.100	0.625	0.157	0.157	0.062
	■ HTE 06250125 FHS	HAH10M	2190600	○	0.468	0.165	0.625	0.157	0.157	0.125
	■ HTE 07500031 FHS	HAH10M	2190800	●	0.570	0.070	0.750	0.197	0.197	0.031
	■ HTE 07500062 FHS	HAH10M	2191000	●	0.570	0.100	0.750	0.197	0.197	0.062
	■ HTE 07500125 FHS	HAH10M	2191200	○	0.570	0.165	0.750	0.197	0.197	0.125
	■ HTE 10000031 FHS	HAH10M	2191900	●	0.732	0.070	1.000	0.236	0.236	0.031
	■ HTE 10000062 FHS	HAH10M	2192100	●	0.732	0.100	1.000	0.236	0.236	0.062
	■ HTE 10000125 FHS	HAH10M	2192300	○	0.732	0.165	1.000	0.236	0.236	0.125
	■ HTE 10000250 FHS	HAH10M	2192500	○	0.732	0.290	1.000	0.236	0.236	0.250
	N = 2									
	■ HTE 03120015 NHO	HAH10M	2188300	○	0.273	0.054	0.312	0.094	0.098	0.015
	■ HTE 03120031 NHO	HAH10M	2188500	○	0.273	0.070	0.312	0.094	0.098	0.031
	■ HTE 03120062 NHO	HAH10M	2188700	○	0.273	0.100	0.312	0.094	0.098	0.062
	■ HTE 03750015 NHO	HAH10M	2188900	○	0.324	0.054	0.375	0.102	0.118	0.015
	■ HTE 03750031 NHO	HAH10M	2189100	●	0.324	0.070	0.375	0.102	0.118	0.031
	■ HTE 03750062 NHO	HAH10M	2189300	●	0.324	0.100	0.375	0.102	0.118	0.063
	■ HTE 05000015 NHO	HAH10M	2189500	○	0.406	0.054	0.500	0.119	0.138	0.015
	■ HTE 05000031 NHO	HAH10M	2189700	●	0.406	0.070	0.500	0.119	0.138	0.031
	■ HTE 05000062 NHO	HAH10M	2189900	●	0.406	0.100	0.500	0.119	0.138	0.062
	■ HTE 06250031 NHO	HAH10M	2190100	○	0.470	0.070	0.625	0.157	0.157	0.031
	■ HTE 06250062 NHO	HAH10M	2190300	○	0.470	0.100	0.625	0.157	0.157	0.062
	■ HTE 06250125 NHO	HAH10M	2190500	○	0.470	0.165	0.625	0.157	0.157	0.125
	■ HTE 07500031 NHO	HAH10M	2190700	●	0.570	0.070	0.750	0.197	0.197	0.031
	■ HTE 07500062 NHO	HAH10M	2190900	●	0.570	0.100	0.750	0.197	0.197	0.062
	■ HTE 07500125 NHO	HAH10M	2191100	○	0.570	0.165	0.750	0.197	0.197	0.125
	■ HTE 10000031 NHO	HAH10M	2191800	●	0.736	0.070	1.000	0.236	0.236	0.031
	■ HTE 10000062 NHO	HAH10M	2192000	●	0.736	0.100	1.000	0.236	0.236	0.062
	■ HTE 10000125 NHO	HAH10M	2192200	○	0.736	0.165	1.000	0.236	0.236	0.125
	■ HTE 10000250 NHO	HAH10M	2192400	○	0.736	0.290	1.000	0.236	0.236	0.250
	N = 2									

# WENDESCHNEIDPLATTEN

## INDEXABLE INSERTS

heikenei.com

Bild & Zeichnung Image & Drawings	Artikelbezeichnung Item Code	Schneidstoffsorte Cutting materials	Bestell-Nr. Order No	Verfüg. Availability	Abmessungen [mm] Dimensions [mm]		
					l	d	s
<p>N = 6</p>	■ TNHF 1204 ANSN-HK	HAK20M	2157400	•	12	12,70	2,38
	■ TPKN 1603 PDSR-NR	HAP20M	2157800	•	16	9,52	3,18
	■ TPKN 1603 PDSR-NR	HAP25M	2157900	•	16	9,52	3,18
	■ TPKN 1603 PDSR-NR	HAP30M	2158000	•	16	9,52	3,18
	■ TPKN 1603 PDSR-NR	HAP35M	2158100	•	16	9,52	3,18
	■ TPKN 1603 PDSR-NK	HAK15M	2157600	•	16	9,52	3,18
	■ TPKN 1603 PDSR-NK	HAK20M	2157700	•	16	9,52	3,18
<p>N = 3</p>	■ TPKN 2204 PDSR-NR	HAP20M	2158400	•	22	12,70	4,76
	■ TPKN 2204 PDSR-NR	HAP25M	2158500	•	22	12,70	4,76
	■ TPKN 2204 PDSR-NR	HAP30M	2158600	•	22	12,70	4,76
	■ TPKN 2204 PDSR-NR	HAP35M	2158700	•	22	12,70	4,76
	■ TPKN 2204 PDSR-NK	HAK15M	2158200	•	22	12,70	4,76
	■ TPKN 2204 PDSR-NK	HAK20M	2158300	•	22	12,70	4,76
	■ TPLM3106-ADSM	HAP35M	2333900	•	31,75	18	6,35
■ TPLM3106-ADSM	HAP40M	2334000	○	31,75	18	6,35	
■ TPLM3106-ADSM	HAM40M	2334100	•	31,75	18	6,35	
<p>N = 3</p>							

# WENDESCHNEIDPLATTEN INDEXABLE INSERTS



Bild & Zeichnung Image & Drawings	Artikelbezeichnung Item Code	Schneidstoffsorte Cutting materials	Bestell-Nr. Order No	Verfüg. Availability	Abmessungen [mm] Dimensions [mm]				
					l	d	s	d <sub>1</sub>	r
	■ VCGT 220530 NP	HAN10M	2203600	=	22,10	12,70	5,56	5,5	3,0
	■ VCGT 220530 NP	HXN10M	2203700	=	22,10	12,70	5,56	5,5	3,0
N = 2									
	■ WNES 040304 NR	HAP20M	2196300	•	4	6,7	3,97	3,2	0,4
	■ WNES 040304 NR	HAP25M	2196400	•	4	6,7	3,97	3,2	0,4
	■ WNES 040304 NR	HAP30M	2196500	•	4	6,7	3,97	3,2	0,4
	■ WNES 040304 NR	HAP35M	2196600	•	4	6,7	3,97	3,2	0,4
	■ WNES 040304 NN	HAM35M	2196100	•	4	6,7	3,97	3,2	0,4
	■ WNES 040304 NN	HAM40M	2196200	•	4	6,7	3,97	3,2	0,4
	■ WNES 040304 NL	HAK15M	2195900	•	4	6,7	3,97	3,2	0,4
	■ WNES 040304 NL	HAK20M	2196000	•	4	6,7	3,97	3,2	0,4
	■ WNES 040304 NH	HAH05M	2195700	•	4	6,7	3,97	3,2	0,4
	■ WNES 040304 NH	HAH10M	2195800	•	4	6,7	3,97	3,2	0,4
	■ WNES 040308 NR	HAP25M	2197100	○	4	6,7	3,97	3,2	0,8
	■ WNES 040308 NR	HAP35M	2197200	•	4	6,7	3,97	3,2	0,8
	■ WNES 040308 NN	HAM35M	2196900	○	4	6,7	3,97	3,2	0,8
	■ WNES 040308 NN	HAM40M	2197000	•	4	6,7	3,97	3,2	0,8
	■ WNES 040308 NL	HAK20M	2196800	•	4	6,7	3,97	3,2	0,8
	■ WNES 040308-NH	HAH10M	2196700	•	4	6,7	3,97	3,2	0,8
	■ WNES 080608 GP	HAP20M	2197900	•	8	12,7	6,55	4,6	0,8
	■ WNES 080608 GP	HAP25M	2198000	•	8	12,7	6,55	4,6	0,8
	■ WNES 080608 GP	HAP30M	2198100	•	8	12,7	6,55	4,6	0,8
	■ WNES 080608 GP	HAP35M	2198200	•	8	12,7	6,55	4,6	0,8
	■ WNES 080608 GP	HAP40M	2198300	•	8	12,7	6,55	4,6	0,8
	■ WNES 080608 GM	HAM35M	2197700	•	8	12,7	6,55	4,6	0,8
	■ WNES 080608 GM	HAM40M	2197800	•	8	12,7	6,55	4,6	0,8
	■ WNES 080608-GT	HAK15M	2197500	•	8	12,7	6,55	4,6	0,8
	■ WNES 080608-GT	HAK20M	2197600	•	8	12,7	6,55	4,6	0,8
	■ WNES 080608 NP	HAN10M	2203800	•	8	12,7	6,55	4,6	0,8
	■ WNES 080608 NP	HXN10M	2203900	•	8	12,7	6,55	4,6	0,8
	■ WNES 080608 NH	HAH05M	2197300	•	8	12,7	6,55	4,6	0,8
	■ WNES 080608 NH	HAH10M	2197400	•	8	12,7	6,55	4,6	0,8
	■ WNES 080612 GP	HAP25M	2198800	○	8	12,7	6,55	4,6	1,2
	■ WNES 080612 GP	HAP35M	2198900	•	8	12,7	6,55	4,6	1,2
	■ WNES 080612 GM	HAM35M	2198600	○	8	12,7	6,55	4,6	1,2
	■ WNES 080612 GM	HAM40M	2198700	•	8	12,7	6,55	4,6	1,2
	■ WNES 080612 GT	HAK20M	2198500	•	8	12,7	6,55	4,6	1,2
	■ WNES 080612 NH	HAH10M	2198400	○	8	12,7	6,55	4,6	1,2
N = 6									



# WENDESCHNEIDPLATTEN

## INDEXABLE INSERTS

heikenei.com

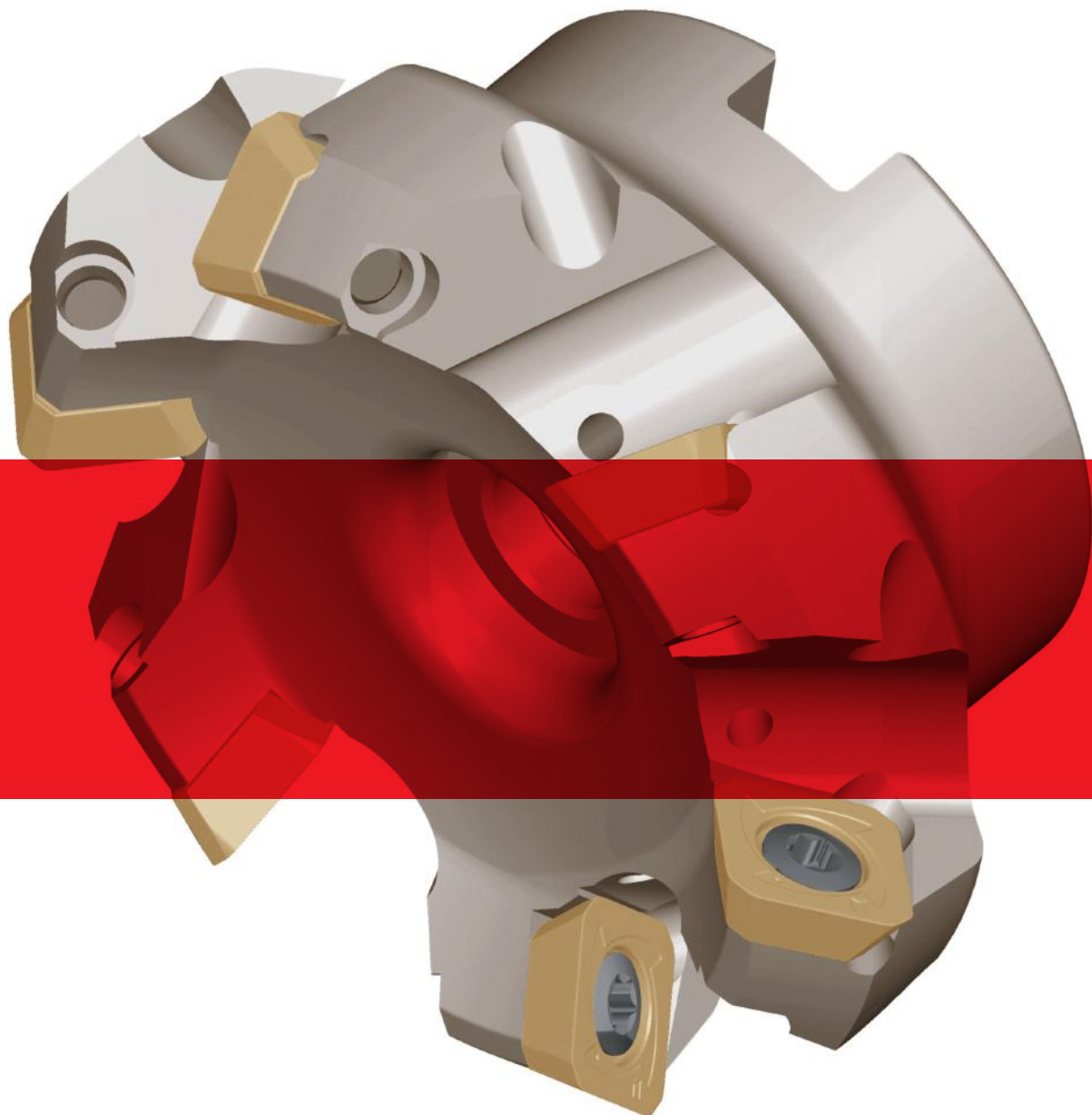
Bild & Zeichnung Image & Drawings	Artikelbezeichnung Item Code	Schneidstoffsorte Cutting materials	Bestell-Nr. Order No	Verfüg. Availability	Abmessungen [mm] Dimensions [mm]					
					l	d	s	d <sub>1</sub>	r	
	■ XEMT 040408 NR	HAP20M	2199300	•	4	12,7	4,76	4,6	0,8	
	■ XEMT 040408 NR	HAP25M	2199400	•	4	12,7	4,76	4,6	0,8	
	■ XEMT 040408 NR	HAP30M	2199500	•	4	12,7	4,76	4,6	0,8	
	■ XEMT 040408 NR	HAP35M	2199600	•	4	12,7	4,76	4,6	0,8	
	■ XEMT 040408 NN	HAM35M	2199100	•	4	12,7	4,76	4,6	0,8	
	■ XEMT 040408 NN	HAM40M	2199200	•	4	12,7	4,76	4,6	0,8	
	■ XEHT040408-NP	HAN10M	2204000	•	4	12,7	4,76	4,6	0,8	
	■ XEHT040408-NP	HXN10M	2204100	•	4	12,7	4,76	4,6	0,8	
	■ XEGT 040408 MR	HAS35M	2199000	•	4	12,7	4,76	4,6	0,8	
	N = 7									
	■ XEMW 040408 NR	HAP25M	2200100	•	4	12,7	4,76	4,6	0,8	
	■ XEMW 040408 NR	HAP30M	2200200	•	4	12,7	4,76	4,6	0,8	
	■ XEMW 040408 NR	HAP35M	2200300	•	4	12,7	4,76	4,6	0,8	
	■ XEMW 040408 NR	HAP40M	2200400	•	4	12,7	4,76	4,6	0,8	
	■ XEMW 040408 NN	HAM40M	2200000	•	4	12,7	4,76	4,6	0,8	
	■ XEMW 040408 NL	HAK20M	2199900	•	4	12,7	4,76	4,6	0,8	
	■ XEMW 040408 NH	HAH05M	2199700	•	4	12,7	4,76	4,6	0,8	
	■ XEMW 040408 NH	HAH10M	2199800	•	4	12,7	4,76	4,6	0,8	
	N = 7									

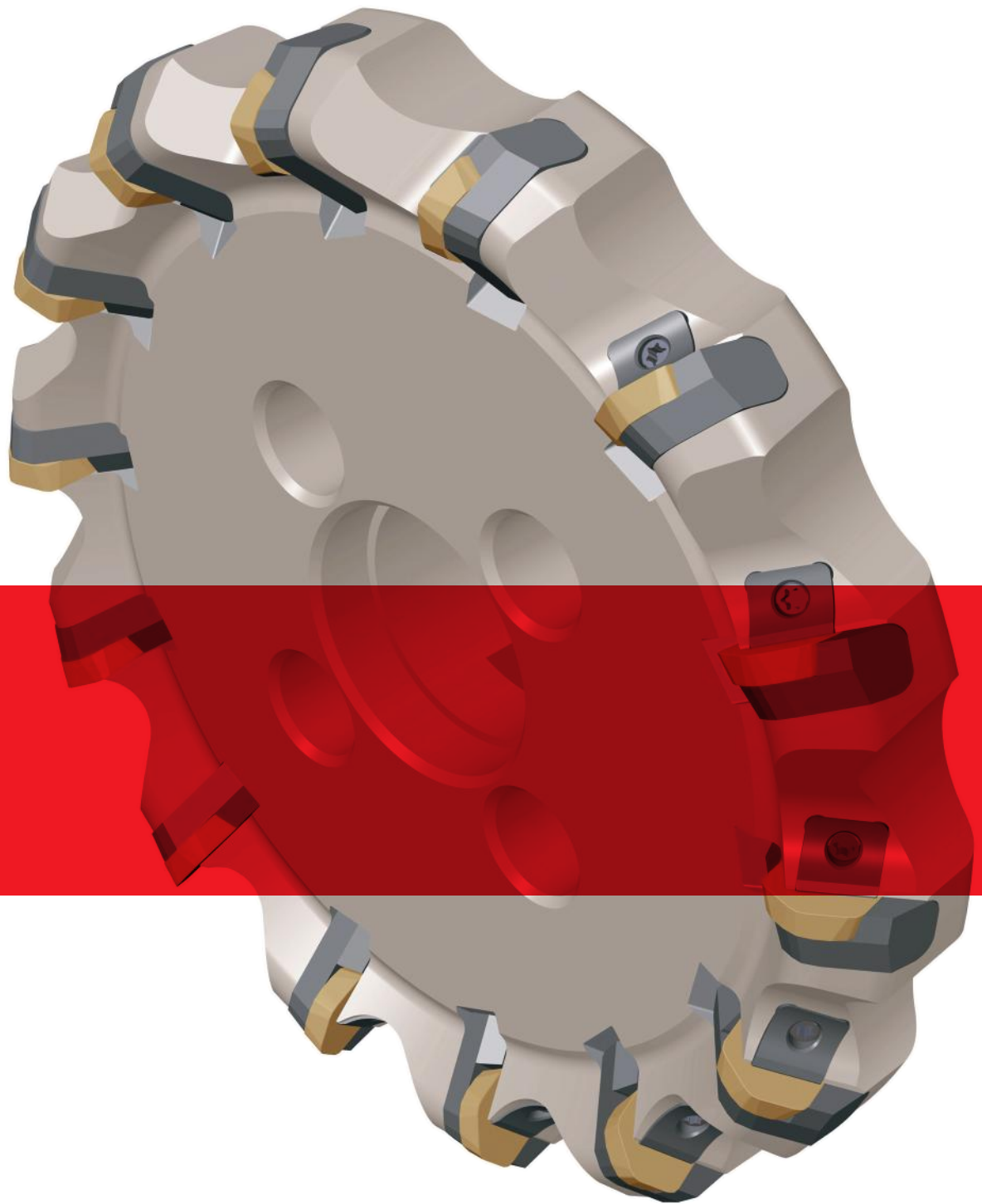
# NOTES

A series of horizontal dotted lines spanning the width of the page, intended for taking notes.

# PLANFRÄSEN 45°

## FACE MILLING 45°





**PG. 32 - 57**



	ISO Chamfer 30°	ISO Chamfer 45°	ISO Chamfer 60°
Ausführung Execution			
Plattengröße Insert size	TC.. 16	TC.. 11, TC.. 16	TC.. 11, TC.. 16

### Einzigartige Eigenschaften:

- Verschiedene Anstellwinkel stehen Ihnen zur Verfügung.
- Maßgeschneiderte Qualitäten für jeden Anwendungsfall.
- Vielseitiges Werkzeug für Fasen- und Entgratungszwecke.

### Unique Characteristics:

- Various angles of approach at your disposal
- Tailored grades to suit every use case
- Versatile implement for both chamfering and deburring purposes.

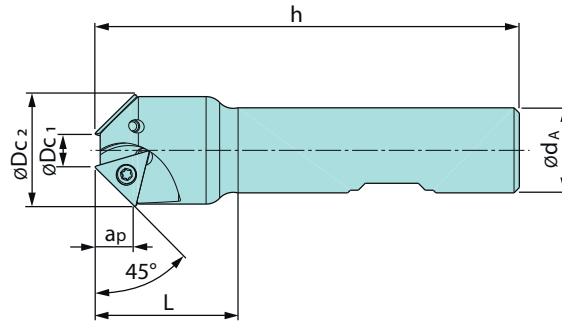
WSP Geometrie Insert geometry	TCMT 11		TCMT 16	
	Schnitttiefe Cutting depth [mm] $a_p$ max	Vorschub Feed [mm] $f_z$	Schnitttiefe Cutting depth [mm] $a_p$ max	Vorschub Feed [mm] $f_z$
NE	*	0,05 <b>0,1</b> 0,2	*	0,05 <b>0,1</b> 0,2
NE	*	0,05 <b>0,1</b> 0,2	*	0,05 <b>0,1</b> 0,2

Die vorgeschlagenen Schnittparameter sollten als Richtlinie betrachtet werden und können durch Experimente für jeden spezifischen Anwendungsfall individuell optimiert werden.

The suggested cutting parameters should be viewed as a guide and may be individually optimized for each specific use case through experimentation.

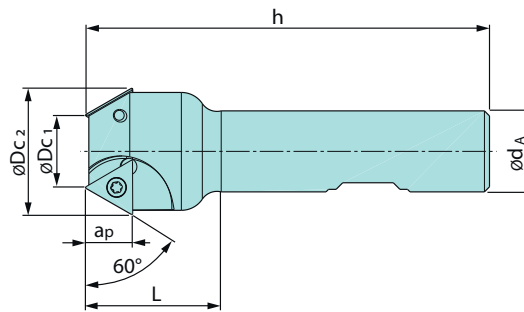
# ISO CHAMFER

## ISO Chamfer 45° / TC.. 11



Abmessungen [mm] Dimensions [mm]							Artikelbezeichnung Item Code	Schaft Shank	Bestell-Nr. Order No	Verfüg. Availability	Ersatzteile Spare parts	
ØDc1	ØDc2	ØdA	h	α <sub>p</sub>	L	z						
1,2	15	12	70	7,3	25	1	HME45 TC11.0012 Z01-070	SW	2204500	•	HKE13-36174 5004700 MA = 3Nm	IP8 5001100
6,2	21	16	80	7,3	27	2	HME45 TC11.0062 Z02-080	SW	2204600	•		
6,2	21	16	150	7,3	27	2	HME45 TC11.0062 Z01 150	SW	2204700	•		

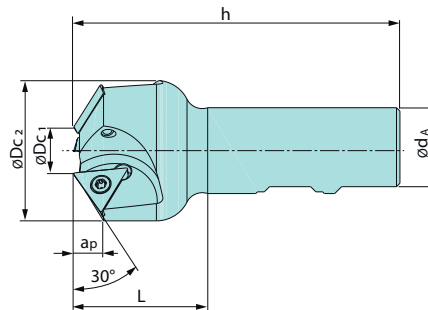
## ISO Chamfer 60° / TC.. 11



Abmessungen [mm] Dimensions [mm]							Artikelbezeichnung Item Code	Schaft Shank	Bestell-Nr. Order No	Verfüg. Availability	Ersatzteile Spare parts	
ØDc1	ØDc2	ØdA	h	α <sub>p</sub>	L	z						
5,4	16	12	70	8,8	25	1	HME60 TC11.0054 Z01-070	SW	2205400	•	HKE02-51206 5002600 MA = 3Nm	IP15 5001100
14,4	24	16	80	8,8	27	2	HME60 TC11.0144 Z02-080	SW	2205500	•		
14,4	24	16	150	8,8	27	2	HME60 TC11.0144 Z02-150	SW	2205600	•		

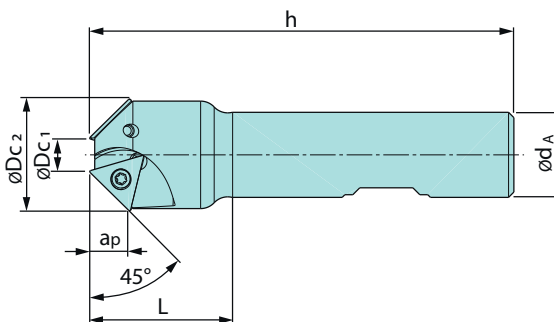
Bild & Zeichnung Image & Drawings	Artikelbezeichnung Item Code	Schneidstoffsorte Cutting materials	Bestell-Nr. Order No	Verfüg. Availability	Abmessungen [mm] Dimensions [mm]				
					l	d	s	d <sub>1</sub>	r
<p>N = 3</p>	■ TCMT 110202 NE	HAP25M	2157100	•	10,4	6,35	2,38	2,8	0,2

ISO Chamfer 30° / TC.. 16



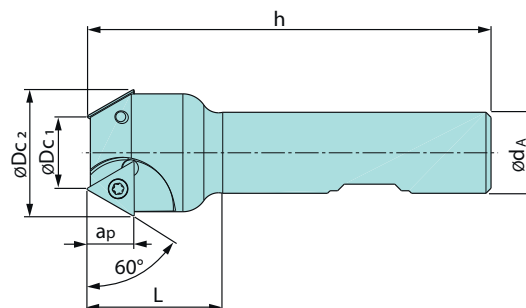
Abmessungen [mm] Dimensions [mm]							Artikelbezeichnung Item Code	Schaft Shank	Bestell-Nr. Order No	Verfüg. Availability	Ersatzteile Spare parts	
ØDc1	ØDc2	ØdA	h	$\alpha_p$	L	z						
6	32	25	100	7,5	38	2	HME30 TC16.006 Z02-100	SW	2204300	•	HKE13-51221	IP15 5001100
16	42,5	25	95	7,5	39	3	HME30 TC16.016 Z03-095	SW	2204400	•	5004000 MA = 3Nm	

ISO Chamfer 45° / TC.. 16



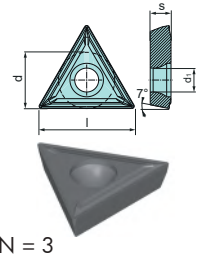
Abmessungen [mm] Dimensions [mm]							Artikelbezeichnung Item Code	Schaft Shank	Bestell-Nr. Order No	Verfüg. Availability	Ersatzteile Spare parts	
ØDc1	ØDc2	ØdA	h	$\alpha_p$	L	z						
10,4	32	25	95	10,8	39	2	HME45 TC16.0104 Z02-095	SW	2204800	•	AP02-40110	IP15 5001100
10,4	32	25	150	10,8	39	2	HME45 TC16.0104 Z02-150	SW	2204900	•	5004000 MA = 3Nm	

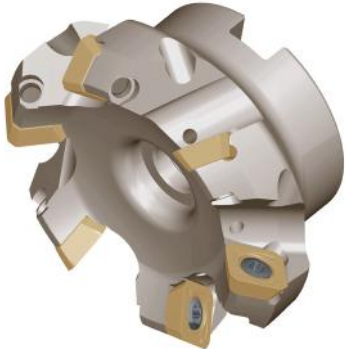
ISO Chamfer 60° / TC.. 16



Abmessungen [mm] Dimensions [mm]							Artikelbezeichnung Item Code	Schaft Shank	Bestell-Nr. Order No	Verfüg. Availability	Ersatzteile Spare parts	
ØDc1	ØDc2	ØdA	h	$\alpha_p$	L	z						
17	32	25	95	13,2	39	2	HME60 TC16.017 Z02-095	SW	2205700	•	HKE02-51206	IP15 5001100
17	32	25	150	13,2	39	2	HME60 TC16.017 Z02-150	SW	2205800	•	5002600 MA = 3Nm	

# ISO CHAMFER

Bild & Zeichnung Image & Drawings	Artikelbezeichnung Item Code	Schneidstoffsorte Cutting materials	Bestell-Nr. Order No	Verfüg. Availability	Abmessungen [mm] Dimensions [mm]					
					l	d	s	d <sub>1</sub>	r	
 <p>N = 3</p>	■ TCMT 16T304 NE	HAP25M	2157200	●	15,5	9,52	3,97	4,4	0,4	
	■ TCMT 16T304 NE	HAK20M	2157300	○	15,5	9,52	3,97	4,4	0,4	

Ausführung Execution	Aufsteckfräser 45° Face milling cutter 45°	
		
Durchmesserbereich metrisch Diameter range metric	Ø 40 - 315 mm	
Plattengröße Insert size	SE..12, SE..13	

**Einzigartige Eigenschaften:**

- Die positive Grundgeometrie ermöglicht ein einfaches Schneiden.
- Die 4 Schneidkanten erhöhen die Produktivität.
- Die Schneidkanten sind für eine genaue Konzentrizität markiert.
- Durch den geringen Stromverbrauch ist auch auf ineffizienten alten Maschinen eine hohe Metallabtragung möglich.
- Eine ungleichmäßige Verteilung führt zu einer reduzierten Vibration und äußerst reibungslosem Betrieb.
- Die Vielfalt an Schneidmaterialien ermöglicht optimale Schneideergebnisse auf einer breiten Materialpalette.

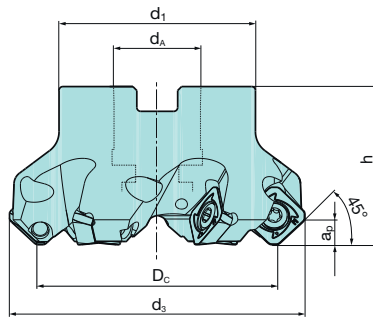
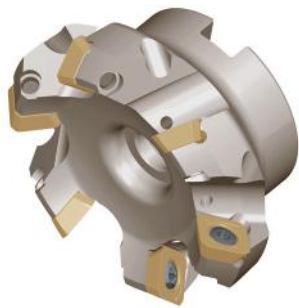
**Unique Characteristics:**

- The positive basic geometry enables easy cutting.
- The 4 cutting edges increase productivity.
- The cutting edges are marked for exact concentricity.
- High metal removal is possible on inefficient old machines due to low power consumption.
- Uneven spacing results in reduced vibration and extremely smooth operation.
- The diversity of cutting materials allows for optimal cutting results on a wide range of materials.

WSP Geometrie Insert geometry	SE.. 12, SE.. 13	
	Schnitttiefe Cutting depth [mm] a <sub>p</sub> max	Vorschub Feed [mm] f <sub>z</sub>
NR	1,0 <b>4,0</b> 6,0	0,2 <b>0,3</b> 0,4
NN	1,0 <b>4,0</b> 6,0	0,1 <b>0,2</b> 0,3
NL	1,0 <b>4,0</b> 6,0	0,2 <b>0,3</b> 0,4
ALA	0,7 <b>4,0</b> 5,0	0,1 <b>0,2</b> 0,3



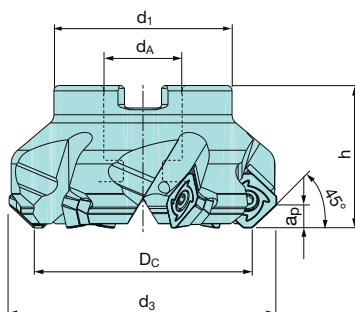
Aufsteckfräser 45° / SE.. 12  
Face milling cutter 45° / SE.. 12



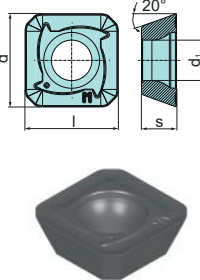
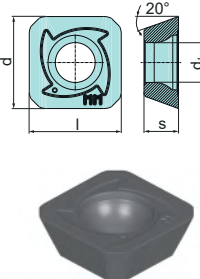
Abmessungen [mm] Dimensions [mm]							Artikelbezeichnung Item Code	Bestell-Nr. Order No	Verfüg. Availability	Ersatzteile Spare parts	
DC	ds	dA	d1	h	ap	z					
32	44	16	32	40	6	3	HMF45 SE12.032 Z03	2224400	=	Spann- schraube Fastening screw HKE13-56219 5004200 MA= 5Nm	Torx- Schlüssel Torque wrench IP20 5001200
40	53	16	32	40	6	4	HMF45 SE12.040 Z04	2224500	=		
50	63	22	50	40	6	5	HMF45 SE12.050 Z05	2224600	=		
63	76	22	50	40	6	5	HMF45 SE12.063 Z05	2224700	=		
63	76	22	50	40	6	6	HMF45 SE12.063 Z06	2224800	=		
63	76	22	50	40	6	7	HMF45 SE12.063 Z07	2224900	=		
80	93	27	52	50	6	6	HMF45 SE12.080 Z06	2225000	=		
80	93	27	52	50	6	7	HMF45 SE12.080 Z07	2225100	=		
100	113	32	78	50	6	6	HMF45 SE12.100 Z06	2225200	=		
100	113	32	78	50	6	8	HMF45 SE12.100 Z08	2225300	=		
125	138	40	90	63	6	10	HMF45 SE12.125 Z10	2225400	=		
160	173	40	114	63	6	12	HMF45 SE12.160 Z12-NC	2225500	=		




Bild & Zeichnung Image & Drawings	Artikelbezeichnung Item Code	Schneidstoffsorte Cutting materials	Bestell-Nr. Order No	Verfüg. Availability	Abmessungen [mm] Dimensions [mm]			
					l	d	s	d1
<p>N = 4</p>	SEKT 1204 AFSN-NR	HAP20M	2150700	=	12,70	12,70	4,76	5,5
	SEKT 1204 AFSN-NR	HAP25M	2150800	•	12,70	12,70	4,76	5,5
	SEKT 1204 AFSN-NR	HAP30M	2150900	•	12,70	12,70	4,76	5,5
	SEKT 1204 AFSN-NR	HAP35M	2151000	•	12,70	12,70	4,76	5,5
	SEKT 1204 AFEN-NN	HAM35M	2150500	•	12,70	12,70	4,76	5,5
	SEKT 1204 AFEN-NN	HAM40M	2150600	•	12,70	12,70	4,76	5,5
	SEHT 1204 AFFN-ALA	HAN10M	2203000	•	12,70	12,70	4,76	5,5
	SEHT 1204 AFFN-ALA	HXN10M	2203100	•	12,70	12,70	4,76	5,5
<p>N = 4</p>	SEKW 1204 AFSN-NR	HAP25M	2152000	•	12,70	12,70	4,76	5,5
	SEKW 1204 AFSN-NR	HAP30M	2152100	•	12,70	12,70	4,76	5,5
	SEKW 1204 AFSN-NR	HAP35M	2152200	•	12,70	12,70	4,76	5,5
	SEKW 1204 AFSN-NR	HAP40M	2152300	•	12,70	12,70	4,76	5,5
	SEKW 1204 AFEN-NN	HAM40M	2151700	•	12,70	12,70	4,76	5,5
	SEKW 1204 AFSN-NK	HAK15M	2151800	•	12,70	12,70	4,76	5,5
	SEKW 1204 AFSN-NK	HAK20M	2151900	•	12,70	12,70	4,76	5,5

Aufsteckfräser 45° / SE.. 13  
Face milling cutter 45° / SE.. 13



Abmessungen [mm] Dimensions [mm]							Artikelbezeichnung Item Code	Bestell-Nr. Order No	Verfüg. Availability	Ersatzteile Spare parts		
D <sub>C</sub>	d <sub>3</sub>	d <sub>A</sub>	d <sub>1</sub>	h	a <sub>p</sub>	z				Spann- schraube Fastening screw HKE02- 46232 MA= 5Nm	Torx- Schlüs- sel Torque wrench IP15 5001100	Schraube SE13 Screw 5005000 Unterlegs- platte SE13 Shim 5005300
50	63	22	44	40	6	4	HMF45 SE13.050 Z04	2225600	o			
50	63	22	44	40	6	5	HMF45 SE13.050 Z05	2225700	o			
63	76	22	50	40	6	5	HMF45 SE13.063 Z05	2225800	o			
63	76	22	50	40	6	6	HMF45 SE13.063 Z06	2225900	o			
80	93	27	60	50	6	6	HMF45 SE13.080 Z06	2226000	o			
80	93	27	60	50	6	8	HMF45 SE13.080 Z08	2226100	o			
100	113	32	80	50	6	7	HMF45 SE13.100 Z07	2226200	o			
100	113	32	80	50	6	10	HMF45 SE13.100 Z10	2226300	o			
125	138	40	95	63	6	8	HMF45 SE13.125 Z08	2226400	o			
125	138	40	95	63	6	12	HMF45 SE13.125 Z12	2226500	o			
160	173	40	115	63	6	7	HMF45 SE13.160 Z07	2226600	o			
160	173	40	115	63	6	10	HMF45 SE13.160 Z10	2226700	o			
200	213	60	164	63	6	8	HMF45 SE13.200 Z08	2226800	o			
200	213	60	164	63	6	12	HMF45 SE13.200 Z12	2226900	o			
250	263	60	184	63	6	10	HMF45 SE13.250 Z10	2227000	o			
250	263	60	184	63	6	14	HMF45 SE13.250 Z14	2227100	o			
315	334	60	265	80	6	12	HMF45 SE13.315 Z12	2227200	o			
315	334	60	265	80	6	18	HMF45 SE13.315 Z18	2227300	o			

Bild & Zeichnung Image & Drawings	Artikelbezeichnung Item Code	Schneidstoffsorte Cutting materials	Bestell-Nr. Order No	Verfüg. Availability	Abmessungen [mm] Dimensions [mm]			
					l	d	s	d <sub>1</sub>
 <p>N = 4</p>	■ SEKT 13T3 AFSN-NR	HAP20M	2151300	=	13,4	13,4	3,97	4,2
	■ SEKT 13T3 AFSN-NR	HAP25M	2151400	•	13,4	13,4	3,97	4,2
	■ SEKT 13T3 AFSN-NR	HAP30M	2151500	•	13,4	13,4	3,97	4,2
	■ SEKT 13T3 AFSN-NR	HAP35M	2151600	•	13,4	13,4	3,97	4,2
	■ SEKT 13T3 AFEN-NN	HAM35M	2151100	•	13,4	13,4	3,97	4,2
	■ SEKT 13T3 AFEN-NN	HAM40M	2151200	•	13,4	13,4	3,97	4,2
	■ SEHT 13T3 AZFN-NP	HAN10M	2203200	•	13,4	13,4	3,97	4,2
	■ SEHT 13T3 AZFN-NP	HXN10M	2203300	•	13,4	13,4	3,97	4,2
 <p>N = 4</p>	■ SEKW 13T3 AFSN-NR	HAP25M	2152700	•	13,4	13,4	3,97	4,2
	■ SEKW 13T3 AFSN-NR	HAP30M	2152800	•	13,4	13,4	3,97	4,2
	■ SEKW 13T3 AFSN-NR	HAP35M	2152900	•	13,4	13,4	3,97	4,2
	■ SEKW 13T3 AFSN-NR	HAP40M	2153000	•	13,4	13,4	3,97	4,2
	■ SEKW 13T3 AFEN-NN	HAM40M	2152400	•	13,4	13,4	3,97	4,2
	■ SEKW 13T3 AFSN-NK	HAK15M	2152500	•	13,4	13,4	3,97	4,2
	■ SEKW 13T3 AFSN-NK	HAK20M	2152600	•	13,4	13,4	3,97	4,2

	Aufsteckfräser 45° Face milling cutter 45°	Schafffräser 45° End milling cutter 45°	Einschraubfräser 45° Screw on type 45°
Ausführung Execution			
Durchmesserbereich metrisch Diameter range metric	Ø 50 - 200 mm	Ø 25 - 40 mm	Ø 25 - 40 mm
Durchmesserbereich inch Diameter range inch	Ø 2" - 8"	-	-
Plattengröße Insert size	XE..04, RE..13	XE..04, RE..13	XE..04, RE..13

#### Einzigartige Eigenschaften:

- Das multifunktionale Werkzeugsystem sorgt für maximale Produktivität.
- Das System ist so konzipiert, dass ein Grundkörper für zwei Bearbeitungsprozesse verwendet wird, was es multifunktional macht.
- Das Werkzeugsystem reduziert den Bedarf an mehreren Werkzeughaltern.
- Die positive Grundgeometrie des Werkzeugsystems erleichtert das Schneiden.
- Der Fräsvorgang profitiert von den 7 Schneidkanten.
- Der runde Einsatz mit 7 Schneidkanten wird durch eine definierte geometrische Gestaltung erreicht.
- Die Schneidkanten sind für eine präzise Konzentrität markiert.
- Der geringe Stromverbrauch des Werkzeugsystems ermöglicht eine hohe Metallentfernung, auch auf ineffizienten alten Maschinen.
- Das ungleichmäßige Abstanddesign führt zu reduzierten Vibrationen und einem reibungslosen Betrieb.
- Das Werkzeugsystem bietet eine Vielfalt an Schneidmaterialien für optimale Ergebnisse auf einem breiten Materialbereich.

#### Unique Characteristics:

- The multifunctional tool system ensures maximum productivity.
- The system is designed with one basic body for two machining processes, making it multifunctional.
- The tool system reduces the need for multiple tool holders.
- The positive basic geometry of the tool system facilitates easy cutting.
- The face milling process benefits from the 7 cutting edges.
- The round insert with 7 cutting edges is achieved through a defined geometrical design.
- The cutting edges are marked for precise concentricity.
- The small power consumption of the tool system enables high metal removal, even on inefficient old machines.
- The uneven spacing design leads to reduced vibration and smooth operation.
- The tool system offers a diversity of cutting materials for optimal results on a wide range of materials.

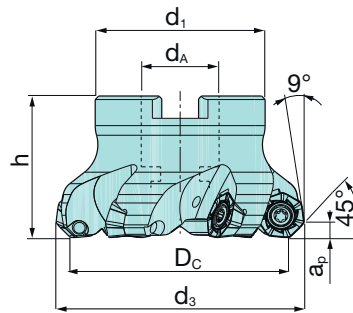
WSP Geometrie Insert geometry	XEM. 04		REM. 13	
	Schnitttiefe Cutting depth [mm] $a_p$ max	Vorschub Feed [mm] $f_z$	Schnitttiefe Cutting depth [mm] $a_p$ max	Vorschub Feed [mm] $f_z$
NR	1,0 <b>2,5</b> 4,0	0,2 <b>0,2</b> 0,3	1,0 <b>1,5</b> 3,2	0,2 <b>0,5</b> 0,9
NN	1,0 <b>2,5</b> 4,0	0,1 <b>0,2</b> 0,3	1,0 <b>1,5</b> 3,2	0,2 <b>0,4</b> 0,8
NK	1,0 <b>2,5</b> 4,0	0,2 <b>0,2</b> 0,3	1,0 <b>1,5</b> 3,2	0,3 <b>0,6</b> 1,0
NP	1,0 <b>3,0</b> 4,0	0,1 <b>0,2</b> 0,3	---	---
MR	1,0 <b>2,0</b> 3,0	0,1 <b>0,15</b> 0,2	---	---
NH	0,6 <b>1,0</b> 2,0	0,1 <b>0,2</b> 0,3	0,5 <b>1,0</b> 3,0	0,2 <b>0,4</b> 0,7

#### Eintauchwinkel Ramping angle



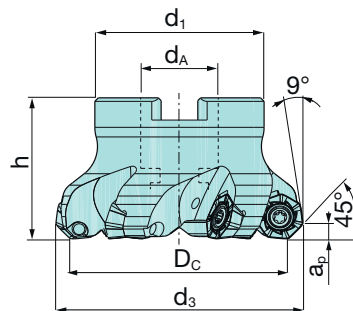
Durchmesser Fräser Diameter milling cutter	Eintauchwinkel Fräser $\alpha$ max. Ramping angle milling cutter $\alpha$ max.
Ø 25	6,84°
Ø 32	5,36°
Ø 36	4,76°
Ø 40	4,29°
Ø 50	3,43°
Ø 52	3,30°
Ø 63	2,73°
Ø 66	2,60°
Ø 80	2,15°
Ø 100	1,72°
Ø 125	1,37°
Ø 160	1,07°
Ø 200	0,86°

**Aufsteckfräser 45° / XE.. 04 & RE.. 13**  
**Face milling cutter 45° / XE.. 04 & RE.. 13**



Abmessungen [mm] Dimensions [mm]							Artikelbezeichnung Item Code	Bestell-Nr. Order No	Verfüg. Availability	Ersatzteile Spare parts	
Dc	d <sub>3</sub>	d <sub>A</sub>	d <sub>1</sub>	h	a <sub>p</sub>	z				Spannschraube Fastening screw HKE02-51165 5002400 MA = 3Nm	Torx-Schlüssel Torque wrench IP15 5001100
50	57,5	22	43	40	4	5	HMF45 XE04.050 Z05	2230400	=		
52	59,5	22	43	40	4	5	HMF45 XE04.052 Z05	2230500	=		
63	70,5	22	48	40	4	5	HMF45 XE04.063 Z05	2230600	=		
63	70,5	22	48	40	4	6	HMF45 XE04.063 Z06	2230700	=		
66	73,5	22	48	40	4	6	HMF45 XE04.066 Z06	2230800	=		
80	87,5	27	60	50	4	6	HMF45 XE04.080 Z06	2230900	=		
80	87,5	27	60	50	4	8	HMF45 XE04.080 Z08	2231000	=		
100	107,5	32	78	50	4	8	HMF45 XE04.100 Z08	2231100	=		
100	107,5	32	78	50	4	10	HMF45 XE04.100 Z10	2231200	=		
125	132,5	40	90	60	4	10	HMF45 XE04.125 Z10	2231400	=		
125	132,5	40	90	60	4	12	HMF45 XE04.125 Z12	2231300	=		
160	167,5	40	115	65	4	10	HMF45 XE04.160 Z10-NC	2231500	=		
160	167,5	40	115	65	4	14	HMF45 XE04.160 Z14-NC	2231600	=		
200	207,5	60	140	65	4	16	HMF45 XE04.200 Z16-NC	2231700	=		

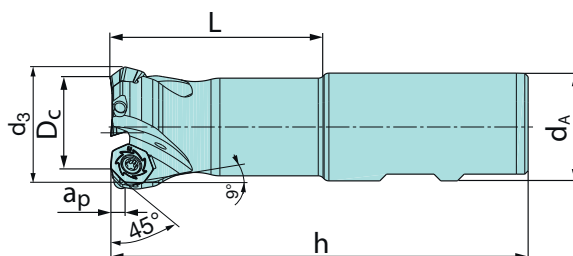
**Aufsteckfräser 45° / XE.. 04 & RE.. 13 / INCH**  
**Face milling cutter 45° / XE.. 04 & RE.. 13 / INCH**



Abmessungen [INCH] Dimensions [INCH]							Artikelbezeichnung Item Code	Bestell-Nr. Order No	Verfüg. Availability	Ersatzteile Spare parts	
Dc	d <sub>3</sub>	d <sub>A</sub>	d <sub>1</sub>	h	a <sub>p</sub>	z				Spannschraube Fastening screw HKE02-51165 5002400 MA = 3Nm	Torx-Schlüssel Torque wrench IP15 5001100
2.0	2.3	0.75	1.75	1.75	0.157	5	HMFU45 XE04.2000 Z05-INCH	2249500	o		
2.5	2.8	1.00	2.00	1.75	0.157	5	HMFU45 XE04.2500 Z05-INCH	2249600	o		
2.5	2.8	1.00	2.00	1.75	0.157	6	HMFU45 XE04.2500 Z06-INCH	2249700	o		
3.0	3.3	1.25	2.75	2.00	0.157	6	HMFU45 XE04.3000 Z06-INCH	2249800	o		
3.0	3.3	1.25	2.75	2.00	0.157	8	HMFU45 XE04.3000 Z08-INCH	2249900	o		
4.0	4.3	1.50	3.50	2.00	0.157	8	HMFU45 XE04.4000 Z08-INCH	2250000	o		
4.0	4.3	1.50	3.50	2.00	0.157	10	HMFU45 XE04.4000 Z10-INCH	2250100	o		
5.0	5.3	1.50	3.75	2.50	0.157	10	HMFU45 XE04.5000 Z10-INCH	2250200	o		
5.0	5.3	1.50	3.75	2.50	0.157	12	HMFU45 XE04.5000 Z12-INCH	2250300	o		
6.0	6.3	2.00	5.00	2.50	0.157	10	HMFU45 XE04.6000 Z10-NCINCH	2250400	o		
6.0	6.3	2.00	5.00	2.50	0.157	14	HMFU45 XE04.6000 Z14-NCINCH	2250500	o		
8.0	8.3	2.50	6.00	2.50	0.157	16	HMFU45 XE04.8000 Z16-NCINCH	2250600	o		

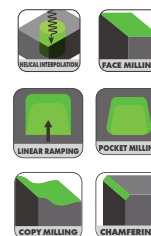
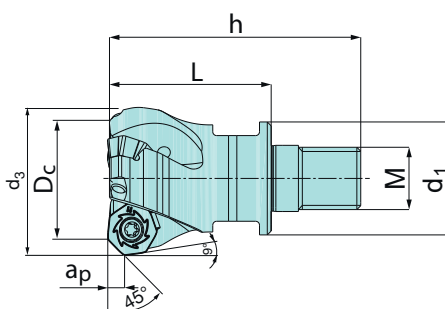


Schaftfräser 45° / XE.. 04 & RE.. 13  
End milling cutter 45° / XE.. 04 & RE.. 13

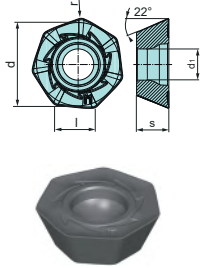
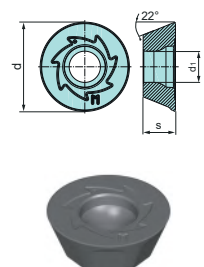



Abmessungen [mm] Dimensions [mm]							Schaft Shank	Artikelbezeichnung Item Code	Bestell-Nr. Order No	Verfüg. Availability	Ersatzteile Spare parts	
Dc	d3	dA	h	L	ap	z						
25	32,5	25	106	50	4	2	SW	HME45 XE04.025 Z02	2205000	=	Spannschraube Fastening screw HKE02-51193 5002500 MA = 3Nm	Torx- Schlüssel Torque wrench IP15 5001100
32	39,5	32	124	64	4	3	SW	HME45 XE04.032 Z03	2205100	=		
36	43,5	32	124	64	4	3	SW	HME45 XE04.036 Z03	2205200	=	Spannschraube Fastening screw HKE02-51165 5002400 MA = 3Nm	Torx- Schlüssel Torque wrench IP15 5001100
40	47,5	32	130	65	4	4	SW	HME45 XE04.040 Z04	2205300	=		

Einschraubfräser 45° / XE.. 04 & RE.. 13  
Screw on type 45° / XE.. 04 & RE.. 13



Abmessungen [mm] Dimensions [mm]							Artikelbezeichnung Item Code	Bestell-Nr. Order No	Verfüg. Availability	Ersatzteile Spare parts		
Dc	d3	d1	L	h	ap	M				z		
25	32,5	21	32	54	4	12	2	HMS45 XE04.025 Z02-M12	2255800	=	Spannschraube Fastening screw HKE02-51193 5002500 MA = 3Nm	Torx- Schlüssel Torque wrench IP15 5001100
32	39,5	29	42	65	4	16	3	HMS45 XE04.032 Z03-M16	2255900	=		
40	47,5	29	43	66	4	16	4	HMS45 XE04.040 Z04-M16	2256000	=	Spannschraube Fixationscrew HKE02-51165 5002400 MA = 3Nm	

Bild & Zeichnung Image & Drawings	Artikelbezeichnung Item Code	Schneidstoffsorte Cutting materials	Bestell-Nr. Order No	Verfüg. Availability	Abmessungen [mm] Dimensions [mm]				
					l	d	s	d <sub>1</sub>	r
 <p>N = 7</p>	■ XEMT 040408 NR	HAP20M	2199300	•	4	12,7	4,76	4,6	0,8
	■ XEMT 040408 NR	HAP25M	2199400	•	4	12,7	4,76	4,6	0,8
	■ XEMT 040408 NR	HAP30M	2199500	•	4	12,7	4,76	4,6	0,8
	■ XEMT 040408 NR	HAP35M	2199600	•	4	12,7	4,76	4,6	0,8
	■ XEMT 040408 NN	HAM35M	2199100	•	4	12,7	4,76	4,6	0,8
	■ XEMT 040408 NN	HAM40M	2199200	•	4	12,7	4,76	4,6	0,8
	■ XEHT 040408-NP	HXN10M	2204100	•	4	12,7	4,76	4,6	0,8
	■ XEHT 040408-NP	HAN10M	2204000	•	4	12,7	4,76	4,6	0,8
	■ XEGT 040408 MR	HAS35M	2199000	•	4	12,7	4,76	4,6	0,8
	■ XEMW 040408 NR	HAP25M	2200100	•	4	12,7	4,76	4,6	0,8
	■ XEMW 040408 NR	HAP30M	2200200	•	4	12,7	4,76	4,6	0,8
	■ XEMW 040408 NR	HAP35M	2200300	•	4	12,7	4,76	4,6	0,8
	■ XEMW 040408 NR	HAP40M	2200400	•	4	12,7	4,76	4,6	0,8
	■ XEMW 040408 NN	HAM40M	2200000	•	4	12,7	4,76	4,6	0,8
	■ XEMW 040408 NL	HAK20M	2199900	•	4	12,7	4,76	4,6	0,8
	■ XEMW 040408 NH	HAH05M	2199700	•	4	12,7	4,76	4,6	0,8
	■ XEMW 040408 NH	HAH10M	2199800	•	4	12,7	4,76	4,6	0,8
	 <p>N = 7</p>	■ REMW 1304MO-NR	HAP20M	2180800	•	-	13,2	4,76	4,6
■ REMW 1304MO-NR		HAP25M	2180900	•	-	13,2	4,76	4,6	-
■ REMW 1304MO-NR		HAP30M	2181000	•	-	13,2	4,76	4,6	-
■ REMW 1304MO-NR		HAP35M	2181100	•	-	13,2	4,76	4,6	-
■ REMW 1304MO-NN		HAM40M	2180700	•	-	13,2	4,76	4,6	-
■ REMW 1304MO-NK		HAK15M	2180500	•	-	13,2	4,76	4,6	-
■ REMW 1304MO-NK		HAK20M	2180600	•	-	13,2	4,76	4,6	-
■ REMW 1304MO-OH		HAH05M	2180200	•	-	13,2	4,76	4,6	-
■ REMW 1304MO-OH		HAH10M	2180300	•	-	13,2	4,76	4,6	-
■ REMW 1304MO-OH		HAH30M	2180400	•	-	13,2	4,76	4,6	-

Aufsteckfräser 45° Face milling cutter 45°	
Ausführung Execution	
Durchmesserbereich metrisch Diameter range metric	Ø 50 - 250 mm
Durchmesserbereich inch Diameter range inch	Ø 2" - 10"
Plattengröße Insert size	SN.. 12

**Einzigartige Eigenschaften:**

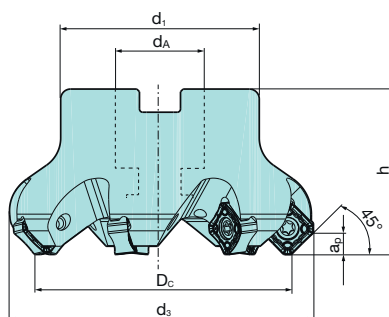
- Die 8 Schneidkanten erhöhen die Produktivität bei großen Schnitttiefen.
- Die negative Grundgeometrie des Werkzeugs macht es äußerst stabil.
- Die effektive positive Schneidkantengeometrie ermöglicht einen glatten Schnitt.
- Die Schneidkanten sind für eine präzise Konzentrizität markiert.
- Die WIPER-Geometrie sorgt für hochwertige Oberflächenfinishes.
- Die schmale und sehr schmale Teilung der Werkzeuge ermöglicht eine hohe Metallabtragung.
- Eine ungleichmäßige Aufteilung reduziert Vibrationen und fördert einen reibungslosen Betrieb.
- Das Werkzeug bietet eine Vielzahl von Schneidmaterialien für optimale Ergebnisse bei einer Vielzahl von Materialien.

**Unique Characteristics:**

- The 8 cutting edges increase productivity when cutting at large depths.
- The tool's negative basic geometry makes it extremely stable.
- The effective positive cutting edge geometry allows for a smooth cut.
- The cutting edges are marked for precise concentricity.
- The WIPER geometry ensures high-quality surface finishes.
- The narrow and very narrow division of the tools enables high metal removal.
- Uneven spacing reduces vibration and promotes smooth operation.
- The tool offers a variety of cutting materials for optimal results on a wide range of materials.

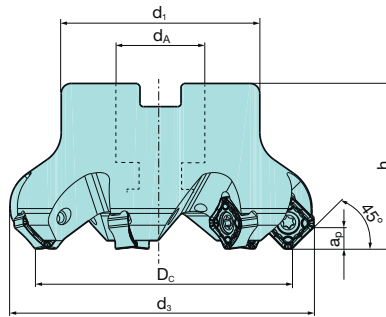
WSP Geometrie Insert geometry	SN.. 12	
	Schnitttiefe Cutting depth [mm] a <sub>p</sub> max	Vorschub Feed [mm] f <sub>z</sub>
NR	1,0 <b>4,0</b> 6,5	0,2 <b>0,3</b> 0,4
NN	1,0 <b>4,0</b> 6,5	0,15 <b>0,2</b> 0,3
NK	1,0 <b>4,0</b> 6,5	0,2 <b>0,3</b> 0,4
NP	0,7 <b>4,0</b> 6,5	0,15 <b>0,22</b> 0,35
NU	1,0 <b>4,0</b> 6,5	0,15 <b>0,2</b> 0,3
SW	0,2 <b>0,5</b> 0,7	0,2 <b>0,3</b> 0,4

Aufsteckfräser 45° / SN.. 12  
Face milling cutter 45° / SN.. 12




Abmessungen [mm] Dimensions [mm]							Artikelbezeichnung Item Code	Bestell-Nr. Order No	Verfüg. Availability	Ersatzteile Spare parts	
D <sub>C</sub>	d <sub>3</sub>	d <sub>A</sub>	d <sub>1</sub>	h	a <sub>p</sub>	z				Spann- schraube Fastening screw HKE06- 51226 5002800 MA= 5Nm	Torx- Schlüssel Torque wrench IP20 5001200
50	63,4	22	50	40	6,5	4	HMF45 SN12.050 Z04	2228300	•		
50	63,4	22	50	40	6,5	6	HMF45 SN12.050 Z06	2228400	•		
63	76,4	22	50	40	6,5	5	HMF45 SN12.063 Z05	2228500	○		
63	76,4	22	50	40	6,5	6	HMF45 SN12.063 Z06	2228600	○		
63	76,4	22	50	40	6,5	8	HMF45 SN12.063 Z08	2228700	•		
80	93,4	27	60	50	6,5	6	HMF45 SN12.080 Z06	2228800	○		
80	93,4	27	60	50	6,5	7	HMF45 SN12.080 Z07	2228900	•		
80	93,4	27	60	50	6,5	10	HMF45 SN12.080 Z10	2229000	•		
100	113,4	32	80	50	6,5	8	HMF45 SN12.100 Z08	2229100	•		
100	113,4	32	80	50	6,5	12	HMF45 SN12.100 Z12	2229200	•		
125	138,4	40	95	63	6,5	8	HMF45 SN12.125 Z08	2229300	○		
125	138,4	40	95	63	6,5	10	HMF45 SN12.125 Z10	2229400	•		
125	138,4	40	95	63	6,5	16	HMF45 SN12.125 Z16	2229500	•		
160	173,4	40	115	63	6,5	10	HMF45 SN12.160 Z10-NC	2229600	○		
160	173,4	40	115	63	6,5	12	HMF45 SN12.160 Z12	2229700	○		
160	173,4	40	115	63	6,5	12	HMF45 SN12.160 Z12-NC	2229800	•		
160	173,4	40	115	63	6,5	20	HMF45 SN12.160 Z20-NC	2229900	○		
200	213,4	60	164	63	6,5	18	HMF45 SN12.200 Z18-NC	2230000	•		
200	213,4	60	164	63	6,5	26	HMF45 SN12.200 Z26-NC	2230100	○		
250	263,4	60	184	63	6,5	20	HMF45 SN12.250 Z20-NC	2230200	•		
250	263,4	60	184	63	6,5	30	HMF45 SN12.250 Z30-NC	2230300	○		

Aufsteckfräser 45° / SN.. 12 / INCH  
Face milling cutter 45° / SN.. 12 / INCH



Abmessungen [INCH] Dimensions [INCH]							Artikelbezeichnung Item Code	Bestell-Nr. Order No	Verfüg. Availability	Ersatzteile Spare parts	
D <sub>C</sub>	d <sub>3</sub>	d <sub>A</sub>	d <sub>1</sub>	h	a <sub>p</sub>	z					
2.0	2.5	0.75	2.00	1.50	0.256	4	HMFU45 SN12.2000 Z04-INCH	2248200	o	Spann- schraube Fastening screw HKE06- 51226 5002800 MA= 5Nm	Torx- Schlüssel Torque wrench IP20 5001200
2.0	2.5	0.75	2.00	1.50	0.256	6	HMFU45 SN12.2000 Z06-INCH	2248300	o		
2.5	3.0	1.00	2.50	1.75	0.256	6	HMFU45 SN12.2500 Z06-INCH	2248400	o		
2.5	3.0	1.00	2.50	1.75	0.256	8	HMFU45 SN12.2500 Z08-INCH	2248500	o		
3.0	3.5	1.00	2.50	1.75	0.256	7	HMFU45 SN12.3000 Z10-INCH	2248600	o		
3.0	3.5	1.00	2.50	1.75	0.256	10	HMFU45 SN12.3000 Z10-INCH	2248700	o		
4.0	4.5	1.50	3.75	2.25	0.256	8	HMFU45 SN12.4000 Z08-INCH	2248800	o		
4.0	4.5	1.50	3.75	2.25	0.256	12	HMFU45 SN12.4000 Z12-INCH	2248900	o		
5.0	5.5	1.50	3.75	2.50	0.256	10	HMFU45 SN12.5000 Z10-INCH	2249000	o		
5.0	5.5	1.50	3.75	2.50	0.256	16	HMFU45 SN12.5000 Z16-INCH	2249100	o		
6.0	6.5	2.00	5.00	2.50	0.256	12	HMFU45 SN12.6000 Z12-NCINCH	2249200	o		
6.0	6.5	2.00	5.00	2.50	0.256	20	HMFU45 SN12.6000 Z20-NCINCH	2249300	o		
8.0	8.5	2.50	6.00	2.50	0.256	18	HMFU45 SN12.8000 Z18-NCINCH	2249400	o		
10	10.5	2.50	7.50	2.50	0.256	20	HMFU45 SN12.10000 Z20-NCINCH	2248100	o		

Bild & Zeichnung Image & Drawings	Artikelbezeichnung Item Code	Schneidstoffsorte Cutting materials	Bestell-Nr. Order No	Verfüg. Availability	Abmessungen [mm] Dimensions [mm]				
					l	d	s	d <sub>1</sub>	r
<p>N = 2</p>	■ SNEX 1206-SW	HAM35M	2153100	•	12,70	12,70	5,8	5,2	-
	■ SNMX 1206 ANSN-NR	HAP20M	2153600	•	12,70	12,70	5,8	5,2	-
	■ SNMX 1206 ANSN-NR	HAP25M	2153700	•	12,70	12,70	5,8	5,2	-
	■ SNMX 1206 ANSN-NR	HAP30M	2153800	•	12,70	12,70	5,8	5,2	-
	■ SNMX 1206 ANSN-NR	HAP35M	2153900	•	12,70	12,70	5,8	5,2	-
	■ SNMX 1206 ANSN-NN	HAM35M	2153400	•	12,70	12,70	6,2	5,2	-
	■ SNMX 1206 ANSN-NN	HAM40M	2153500	•	12,70	12,70	6,2	5,2	-
	■ SNMX 1206 ANSN-NK	HAK15M	2153200	•	12,70	12,70	5,8	5,2	-
	■ SNMX 1206 ANSN-NK	HAK20M	2153300	•	12,70	12,70	5,8	5,2	-
	■ SNHX 1206 ANFN-NP	HANI10M	2203400	•	12,7	12,7	6,2	5,2	-
■ SNHX 1206 ANFN-NP	HXN10M	2203500	•	12,7	12,7	6,2	5,2	-	
■ SNMX 1206 ANSN-NU	HAS35M	2154000	•	12,70	12,70	6,2	5,2	-	
■ SNMX 1206 ANSN-NU	HAS40M	2154100	o	12,70	12,70	6,2	5,2	-	

	<b>Aufsteckfräser 45°</b> Face milling cutter 45°
Ausführung Execution	
Durchmesserbereich metrisch Diameter range metric	Ø 50 - 250 mm
Durchmesserbereich inch Diameter range inch	Ø 2" - 10"
Plattengröße Insert size	ON.. 05, ON.. 08

**Einzartige Eigenschaften:**

- Das Werkzeug verfügt über 16 Schneidkanten für eine gesteigerte Produktivität.
- Die negative Grundgeometrie des Werkzeugs sorgt für extreme Stabilität.
- Die effektive positive Schneidkantengeometrie ermöglicht einen glatten Schnitt.
- Die Schneidkanten sind nummeriert für eine präzise Laufruhe.
- Die WIPER-Geometrie sorgt für eine hochwertige Oberflächenqualität. Beste Ergebnisse werden durch Erhöhung der Schnittgeschwindigkeit (ungefähr doppelt so hoch wie vc), Verwendung einer geringen Schnitttiefe (ungefähr ap 0,7 mm), einem Zahnvorschub von ungefähr fz 0,25 mm und einem Fräserdurchmesser von 63 mm erzielt.
- Die geringe Teilung der Werkzeuge ermöglicht eine hohe Materialabtragung.
- Die ungleichmäßige Teilung reduziert Vibrationen und gewährleistet einen extrem reibungslosen Betrieb.
- Das Werkzeug bietet eine Vielzahl von Schneidmaterialien für optimale Schneidleistungen auf einem breiten Materialbereich.

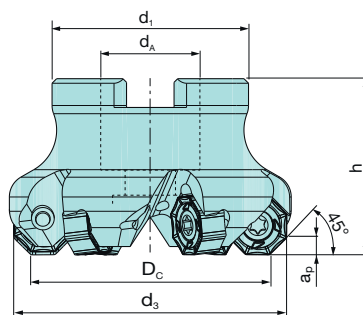
**Unique Characteristics:**

- The tool has 16 cutting edges for increased productivity.
- Its negative basic geometry provides extreme stability.
- The tool's effective positive cutting edge geometry allows for a smooth cut.
- The cutting edges are numbered for precise true running.
- The WIPER geometry ensures a high-quality surface finish. Best results are obtained by increasing the cutting speed (approximately double vc), using a small cutting depth (approximately ap 0.7 mm), a tooth feed of approximately fz 0.25 mm, and a milling cutter diameter of 63 mm.
- The close division of the tools enables high metal removal.
- Uneven spacing design reduces vibration and ensures an extremely smooth operation.
- The tool provides a variety of cutting materials for optimal cutting results on a wide range of materials.

WSP Geometrie Insert geometry	ON.. 05		ON.. 08	
	Schnitttiefe Cutting depth [mm] ap max	Vorschub Feed [mm] fz	Schnitttiefe Cutting depth [mm] ap max	Vorschub Feed [mm] fz
NR	0,4 <b>2,0</b> 3,0	0,16 <b>0,22</b> 0,30	1,0 <b>3,0</b> 5,0	0,2 <b>0,27</b> 0,5
NN	0,4 <b>2,0</b> 3,0	0,12 <b>0,18</b> 0,25	1,0 <b>3,0</b> 5,0	0,2 <b>0,25</b> 0,4
NK	0,4 <b>2,0</b> 3,0	0,20 <b>0,25</b> 0,35	1,0 <b>3,0</b> 5,0	0,2 <b>0,35</b> 0,6
NH	0,4 <b>1,5</b> 2,5	0,10 <b>0,16</b> 0,26	-	-
SW	0,3 <b>0,5</b> 0,7	0,17 <b>0,22</b> 0,25	0,5 <b>0,7</b> 0,9	0,2 <b>0,25</b> 0,3



Aufsteckfräser 45° / ON.. 05  
Face milling cutter 45° / ON.. 05

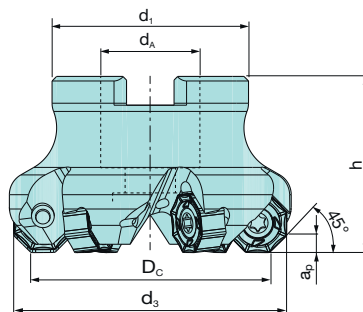


Compatible with  
ONMU 05 & SNMX 12  
indexable inserts



Abmessungen [mm] Dimensions [mm]							Artikelbezeichnung Item Code	Bestell-Nr. Order No	Verfüg. Availability	Ersatzteile Spare parts			
Dc	d3	dA	d1	h	ap	z				Spann- schraube Fastening screw HKE06-51226 5002800 MA = 5Nm	Torx- Schlüssel Torque wrench IP20 5001200		
50	57,5	22	50	40	3	4	HMF45 ON05.050 Z04	2222100	=				
50	57,5	22	50	40	3	6	HMF45 ON05.050 Z06	2222200	=				
63	70,5	22	50	40	3	6	HMF45 ON05.063 Z06	2222300	=				
63	70,5	22	50	40	3	8	HMF45 ON05.063 Z08	2222400	=				
80	87,5	27	60	50	3	7	HMF45 ON05.080 Z07	2222500	=				
80	87,5	27	60	50	3	10	HMF45 ON05.080 Z10	2222600	=				
100	107,5	32	80	50	3	8	HMF45 ON05.100 Z08	2222700	=				
100	107,5	32	80	50	3	12	HMF45 ON05.100 Z12	2222800	=				
125	132,5	40	95	63	3	10	HMF45 ON05.125 Z10	2222900	=				
125	132,5	40	95	63	3	16	HMF45 ON05.125 Z16	2223000	=				

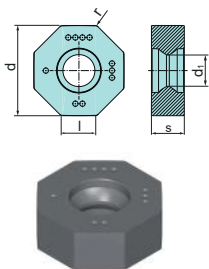
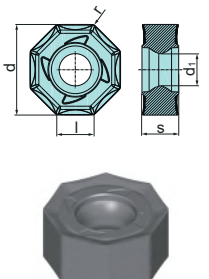
Aufsteckfräser 45° / ON.. 05 / INCH  
Face milling cutter 45° / ON.. 05 / INCH



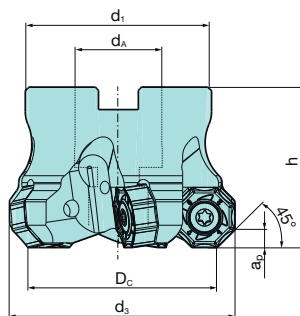
Compatible with  
ONMU 05 & SNMX 12  
indexable inserts



Abmessungen [INCH] Dimensions [INCH]							Artikelbezeichnung Item Code	Bestell-Nr. Order No	Verfüg. Availability	Ersatzteile Spare parts			
Dc	d3	dA	d1	h	ap	z				Spann- schraube Fastening screw HKE06- 51226 5002800 MA= 5Nm	Torx- Schlüssel Torque wrench IP20 5001200		
2.1	2.25	0.75	2.00	1.45	0.118	4	HMFU45 SN12.2000 Z04-INCH	2248200	o				
2.1	2.25	0.75	2.00	1.45	0.118	6	HMFU45 SN12.2000 Z06-INCH	2248300	o				
2.6	2.75	1.00	2.50	1.70	0.118	6	HMFU45 SN12.2500 Z06-INCH	2248400	o				
2.6	2.75	1.00	2.50	1.70	0.118	8	HMFU45 SN12.2500 Z08-INCH	2248500	o				
3.1	3.25	1.00	2.50	1.70	0.118	7	HMFU45 SN12.3000 Z07-INCH	2248600	o				
3.1	3.25	1.00	2.50	1.70	0.118	10	HMFU45 SN12.3000 Z10-INCH	2248700	o				
4.1	4.25	1.50	3.75	2.20	0.118	8	HMFU45 SN12.4000 Z08-INCH	2248800	o				
4.1	4.25	1.50	3.75	2.20	0.118	12	HMFU45 SN12.4000 Z12-INCH	2248900	o				
5.1	5.25	1.50	3.75	2.45	0.118	10	HMFU45 SN12.5000 Z10-INCH	2249000	o				
5.1	5.25	1.50	3.75	2.45	0.118	16	HMFU45 SN12.5000 Z16-INCH	2249100	o				
6.1	6.25	2.00	5.00	2.45	0.118	12	HMFU45 SN12.6000 Z12-NCINCH	2249200	o				
6.1	6.25	2.00	5.00	2.45	0.118	20	HMFU45 SN12.6000 Z20-NCINCH	2249300	o				
8.1	8.25	2.50	6.00	2.45	0.118	18	HMFU45 SN12.8000 Z18-NCINCH	2249400	o				
10.1	10.25	2.50	7.50	2.45	0.118	20	HMFU45 SN12.10000 Z20-NCINCH	2248100	o				

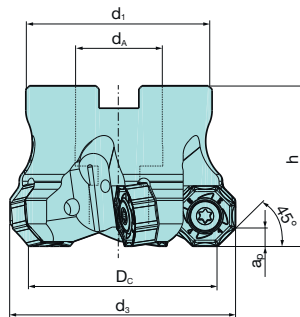
Bild & Zeichnung Image & Drawings	Artikelbezeichnung Item Code	Schneidstoffsorte Cutting materials	Bestell-Nr. Order No	Verfüg. Availability	Abmessungen [mm] Dimensions [mm]				
					l	d	s	d <sub>1</sub>	r
 <p>N = 8</p>	■ ONMQ 0506 SW	HAH10M	2178200	=	5	12,7	5,8	5,45	0,8
 <p>N = 16</p>	■ ONMU 050608 TM-NR	HAP25M	2179200	=	5	12,7	5,8	5,45	0,8
	■ ONMU 050608 TM-NR	HAP35M	2179300	=	5	12,7	5,8	5,45	0,8
	■ ONMU 050608 TM-NN	HAM35M	2179100	=	5	12,7	5,8	5,45	0,8
	■ ONMU 050608 TM-NN	HAM40M	2179000	=	5	12,7	5,8	5,45	0,8
	■ ONMU 050608 TM-NK	HAK15M	2178800	=	5	12,7	5,8	5,45	0,8
	■ ONMU 050608 TM-NK	HAK20M	2178900	=	5	12,7	5,8	5,45	0,8
	■ ONMU 050608 TM-OH	HAH05M	2178600	=	5	12,7	5,8	5,45	0,8
	■ ONMU 050608 TM-OH	HAH10M	2178700	=	5	12,7	5,8	5,45	0,8

Aufsteckfräser 45° / ON.. 08  
Face milling cutter 45° / ON.. 08



Abmessungen [mm] Dimensions [mm]							Artikelbezeichnung Item Code	Bestell-Nr. Order No	Verfüg. Availability	Ersatzteile Spare parts	
DC	d <sub>3</sub>	d <sub>A</sub>	d <sub>1</sub>	h	a <sub>p</sub>	z				Spann- schraube Fastening screw	Torx- Schlüssel Torque wrench
50	60	22	46	50	5	4	HMF45 ON08.050 Z04	2223100	=	Spann- schraube Fastening screw HK02-71271 5001600 MA = 6Nm	Torx- Schlüssel Torque wrench T25 5000500
63	73	27	58	50	5	5	HMF45 ON08.063 Z05	2223200	=		
80	90	32	78	50	5	6	HMF45 ON08.080 Z06	2223300	=		
80	90	32	78	50	5	7	HMF45 ON08.080 Z07	2223400	=		
100	110	32	78	50	5	7	HMF45 ON08.100 Z07	2223500	=		
100	110	32	78	50	5	9	HMF45 ON08.100 Z09	2223700	=		
125	135	40	90	63	5	9	HMF45 ON08.125 Z09	2223800	=		
125	135	40	90	63	5	11	HMF45 ON08.125 Z11	2223900	=		
160	170	40	115	63	5	11	HMF45 ON08.160 Z11	2224000	=		
200	210	60	130	65	5	16	HMF45 ON08.200 Z16-NC	2224100	=		
250	260	60	190	75	5	18	HMF45 ON08.250 Z18-NC	2224200	=		

Aufsteckfräser 45° / ON.. 08 / INCH  
Face milling cutter 45° / ON.. 08 / INCH



Abmessungen [INCH] Dimensions [INCH]							Artikelbezeichnung Item Code	Bestell-Nr. Order No	Verfüg. Availability	Ersatzteile Spare parts	
D <sub>C</sub>	d <sub>3</sub>	d <sub>A</sub>	d <sub>1</sub>	h	a <sub>p</sub>	z					
2.0	2.4	0.75	2.00	2.00	0.197	4	HMFU45 ON08.2000 Z04-INCH	2247100	o	Spann- schraube Fastening screw HK02- 71271 5001600 MA = 6Nm	Torx- Schlüssel Torque wrench T25 5000500
2.5	2.9	1.00	2.25	2.00	0.197	5	HMFU45 ON08.2500 Z05-INCH	2247200	o		
3.0	3.4	1.25	2.75	2.00	0.197	6	HMFU45 ON08.3000 Z06-INCH	2247300	o		
3.0	3.4	1.25	2.75	2.00	0.197	7	HMFU45 ON08.3000 Z07-INCH	2247400	o		
4.0	4.4	1.50	3.75	2.25	0.197	7	HMFU45 ON08.4000 Z07-INCH	2247500	o		
4.0	4.4	1.50	3.75	2.25	0.197	9	HMFU45 ON08.4000 Z09-INCH	2247600	o		
5.0	5.4	1.50	3.75	2.50	0.197	9	HMFU45 ON08.5000 Z09-INCH	2247700	o		
5.0	5.4	1.50	3.75	2.50	0.197	11	HMFU45 ON08.5000 Z11-INCH	2247800	o		
6.0	6.4	2.00	5.00	2.00	0.197	11	HMFU45 ON08.6000 Z11-INCH	2247900	o		

Bild & Zeichnung Image & Drawings	Artikelbezeichnung Item Code	Schneidstoffsorte Cutting materials	Bestell-Nr. Order No	Verfüg. Availability	Abmessungen [mm] Dimensions [mm]				
					l	d	s	d <sub>1</sub>	r
<p>N = 16</p>	■ ONMQ 0806 SW	HAM35M	2178500	=	8	19,1	6,95	6,75	0,8
	■ ONMQ 0806 SW	HAH03M	2178300	=	8	19,1	6,95	6,75	0,8
	■ ONMQ 0806 SW	HAH10M	2178400	=	8	19,1	6,95	6,75	0,8
<p>N = 8</p>	■ ONMU 080608 TM-NR	HAP20M	2179800	=	8	19	6,95	6,75	0,8
	■ ONMU 080608 TM-NR	HAP25M	2179900	=	8	19	6,95	6,75	0,8
	■ ONMU 080608 TM-NR	HAP30M	2180000	=	8	19	6,95	6,75	0,8
	■ ONMU 080608 TM-NR	HAP35M	2180100	=	8	19	6,95	6,75	0,8
	■ ONMU 080608 TM-NN	HAM35M	2179600	=	8	19	6,95	6,75	0,8
	■ ONMU 080608 TM-NN	HAM40M	2179700	=	8	19	6,95	6,75	0,8
	■ ONMU 080608 TM-NK	HAK15M	2179400	=	8	19	6,95	6,75	0,8
	■ ONMU 080608 TM-NK	HAK20M	2179500	=	8	19	6,95	6,75	0,8

	<b>Aufsteckfräser 45° Face milling cutter 45°</b>
Ausführung Execution	
Durchmesserbereich metrisch Diameter range metric	Ø 125 - 500 mm
Plattengröße Insert size	HP.. 12, SP.. 20, SP.. 27, TP.. 31

**Einzigartige Eigenschaften:**

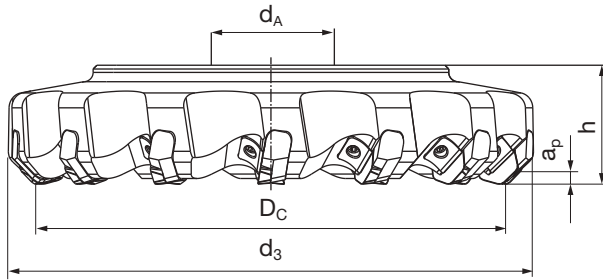
- Das Werkzeugsystem bietet Flexibilität in der Schwerzerspannung.
- Es verfügt über einen einzigen Grundkörper mit vielen Möglichkeiten.
- Die Wechsel der Fräserkassetten für das Planschlichten ist einfach.
- Es stehen vier Kassettentypen für unterschiedliche Materialien zur Verfügung.
- Ein innovatives Spannsystem ermöglicht eine stabile und präzise Verbindung zwischen Grundkörpern, Kassetten und Einsätzen ohne Einstellarbeiten.
- Die Einsätze können einfach in der Maschine ausgewechselt werden.
- Der Einsatz hat einen speziell gestalteten Anstellwinkel für einen glatten Schnitt.
- Das Werkzeug ermöglicht hohe Schnittvolumina aufgrund großer Schnitttiefen mit ap bis zu 14 mm.
- Es verwendet moderne Schneidstoffe für optimale Schneidresultate auf einem breiten Materialbereich.

**Unique Characteristics:**

- The tool system provides flexibility in heavy-duty machining.
- It features a single basic body with many possibilities.
- The cartridges for face milling can be easily changed.
- There are four cartridge types available for different materials.
- An innovative clamping system allows for a stable and precise connection between the basic body, cartridges, and inserts without requiring any adjustment operations.
- Inserts can be easily changed in the machine.
- The insert has a specially designed setting angle for a smooth cut.
- The tool allows for high cutting volume due to large cutting depths, with ap up to 14 mm.
- It uses modern cutting materials for optimal cutting results on a wide range of materials.

WSP Sorte Insert grade	HP.. 12		SP.. 20		SP.. 27		TP.. 31	
	Schnitttiefe Cutting depth [mm] ap max	Vorschub Feed [mm] fz	Schnitttiefe Cutting depth [mm] ap max	Vorschub Feed [mm] fz	Schnitttiefe Cutting depth [mm] ap max	Vorschub Feed [mm] fz	Schnitttiefe Cutting depth [mm] ap max	Vorschub Feed [mm] fz
P	1,0 <b>4,0</b> 6,0	0,26 <b>0,38</b> 0,5	1,0 <b>6,0</b> 10,0	0,28 <b>0,45</b> 0,6	1,0 <b>9,0</b> 14,0	0,35 <b>0,50</b> 0,65	1,0 <b>7,0</b> 13,0	0,25 <b>0,40</b> 0,6
M	1,0 <b>4,0</b> 6,0	0,2 <b>0,30</b> 0,4	1,0 <b>6,0</b> 10,0	0,25 <b>0,38</b> 0,5	-	-	1,0 <b>7,0</b> 13,0	0,2 <b>0,32</b> 0,5

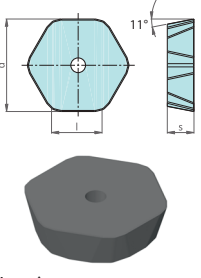
Planfräskopf 45° / HP.. 12  
Face milling cutter 45° / HP.. 12



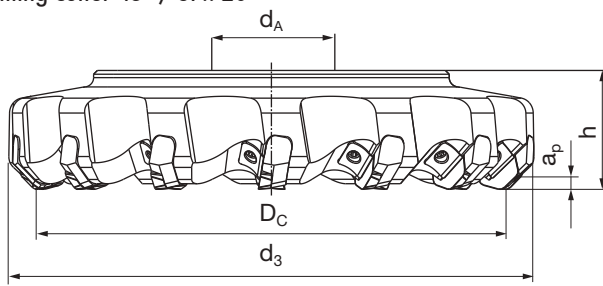
Abmessungen [mm] Dimensions [mm]						Artikelbezeichnung Item Code	Bestell-Nr. Order No	Verfüg. Availability
DC	d3	dA	h	ap	z			
125	157	40	63	6	7	HMF45HP12.125BT-Z07-R	2329900	○
160	192	40	63	6	9	HMF45HP12.160BT-Z09-R	2330000	●
200	232	60	63	6	11	HMF45HP12.200BT-Z11-R	2330100	●
250	282	60	63	6	14	HMF45HP12.250BT-Z14-R	2330200	●
315	347	60	63	6	18	HMF45HP12.315BT-Z18-R	2330300	●
400	432	60	80	6	18	HMF45HP12.400BT-Z18-R	2330400	○
400	432	60	80	6	22	HMF45HP12.400BT-Z22-R	2330500	○
500	532	60	80	6	22	HMF45HP12.500BT-Z22-R	2330600	○
500	532	60	80	6	26	HMF45HP12.500BT-Z26-R	2330700	○

Ersatz-Kassette und Ersatzteile für Planfräskopf 45° HP12  
Replacement-cartridge and spare parts for face milling cutter 45° HP12

 <p>Kassette CBT45 HP12 R inkl. Spannschraube Cartridge CBT45 HP12R incl. Fastening screw 5006100</p>				
	Spannschraube für Kassette Fastening screw for cartridge 5005500	Spannkeil Wedge clamp 5005600	Spannschraube für Spannkeil Fastening screw for wedgeclamp 5005700	Drehmoment- schlüssel Torque wrench 5005800

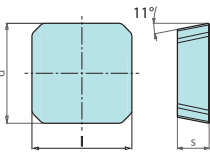
Bild & Zeichnung Image & Drawings	Artikelbezeichnung Item Code	Schneidstoffsorte Cutting materials	Bestell-Nr. Order No	Verfüg. Availability	Abmessungen [mm] Dimensions [mm]		
					l	d	s
 <p>N = 6</p>	■ HPKW1206-ADSN	HAP30M	2329500	○	12,7	22	6,35
	■ HPKW1206-ADSN	HAP35M	2329600	=	12,7	22	6,35
	■ HPKW1206-ADSN	HAP40M	2329700	=	12,7	22	6,35
	■ HPKW1206-ADSN	HAM40M	2329800	=	12,7	22	6,35

Planfräskopf 45° / SP.. 20  
Face milling cutter 45° / SP.. 20



Abmessungen [mm] Dimensions [mm]						Artikelbezeichnung Item Code	Bestell-Nr. Order No	Verfüg. Availability
DC	d3	dA	h	aP	z			
125	157	40	63	10	7	HMF45SP20.125BT-Z07 R	2330800	○
160	192	40	63	10	9	HMF45SP20.160BT-Z09 R	2330900	●
200	232	60	63	10	11	HMF45SP20.200BT-Z11 R	2331000	●
250	282	60	63	10	14	HMF45SP20.250BT-Z14 R	2331100	●
315	347	60	63	10	18	HMF45SP20.315BT-Z18 R	2331200	●
400	432	60	80	10	18	HMF45SP20.400BT-Z18 R	2331300	○
400	432	60	80	10	22	HMF45SP20.400BT-Z22 R	2331400	○
500	532	60	80	10	22	HMF45SP20.500BT-Z22 R	2331500	○
500	532	60	80	10	26	HMF45SP20.500BT-Z26 R	2331600	○

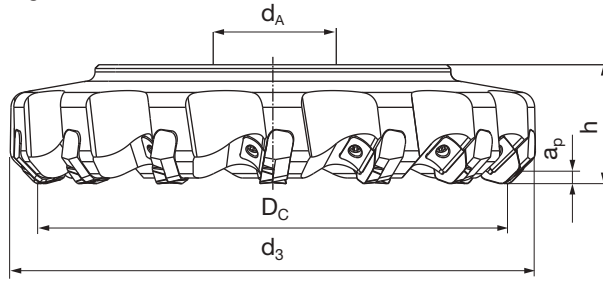
Ersatz-Kassette und Ersatzteile für Planfräskopf 45° SP20 Replacment-cartridge and spare parts for face milling cutter 45° SP20				
 <p>Kassette CBT45 SP20 R inkl. Spannschraube Cartridge CBT45 SP20 R incl. Fastening screw 5005400</p>				
	Spannschraube für Kassette Fastening screw for cartridge 5005500	Spannkeil Wedge clamp 5005600	Spannschraube für Spannkeil Fastening screw for wedgeclamp 5005700	Drehmoment-schlüssel Torque wrench 5005800

Bild & Zeichnung Image & Drawings	Artikelbezeichnung Item Code	Schneidstoffsorte Cutting materials	Bestell-Nr. Order No	Verfüg. Availability	Abmessungen [mm] Dimensions [mm]		
					l	d	s
  <p>N = 4</p>	■ SPKN2006-ADSM	HAP20M	5173433	●	20	20	6,35
	■ SPKN2006-ADSM	HAP35M	5137986	●	20	20	6,35
	■ SPKN2006-ADSM	HAM40M	5137989	●	20	20	6,35





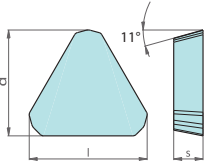
Planfräskopf 45° / TP.. 31  
Face milling cutter 45° / TP.. 31



Abmessungen [mm] Dimensions [mm]						Artikelbezeichnung Item Code	Bestell-Nr. Order No	Verfüg. Availability
DC	d3	dA	h	aP	z			
125	159	40	63	13	7	HMF45TP31.125BT-Z07 R	2333000	○
160	194	40	63	13	9	HMF45TP31.160BT-Z09 R	2333100	●
200	234	60	63	13	11	HMF45TP31.200BT-Z11 R	2333200	●
250	284	60	63	13	14	HMF45TP31.250BT-Z14 R	2333300	●
315	349	60	63	13	18	HMF45TP31.315BT-Z18 R	2333400	●
400	434	60	80	13	18	HMF45TP31.400BT-Z18 R	2333500	○
400	434	60	80	13	22	HMF45TP31.400BT-Z22 R	2333600	○
500	534	60	80	13	22	HMF45TP31.500BT-Z22 R	2333700	○
500	534	60	80	13	26	HMF45TP31.500BT-Z26-R	2333800	○

Ersatz-Kassette und Ersatzteile für Planfräskopf 45° TP31  
Replacement-cartridge and spare parts for face milling cutter 45° TP31

 <p>Kassette CBT45 TP31 R inkl. Spannschraube Cartridge CBT45 TP31 R incl. Fastening screw 5006000</p>	 <p>Spannschraube für Kassette Fastening screw for cartridge 5005500</p>	 <p>Spannkeil Wedge clamp 5005600</p>	 <p>Spannschraube für Spannkeil Fastening screw for wedgeclamp 5005700</p>	 <p>Drehmoment- schlüssel Torque wrench 5005800</p>

Bild & Zeichnung Image & Drawings	Artikelbezeichnung Item Code	Schneidstoffsorte Cutting materials	Bestell-Nr. Order No	Verfüg. Availability	Abmessungen [mm] Dimensions [mm]		
					l	d	s
 <p>N = 3</p>	■ TPLM3106-ADSM	HAP35M	2333900	●	31,75	18	6,35
	■ TPLM3106-ADSM	HAP40M	2333400	○	31,75	18	6,35
	■ TPLM3106-ADSM	HAM40M	2334100	●	31,75	18	6,35

		HARDNESS	Kühlung Cooling			Schnittdaten $v_c$ [m/min] Cutting data $v_c$ [m/min]					
			Luft Air	Trocken Dry	Nass Wet	HAP20M# HAP25M#	HAP30M# HAP35M# HAP40M#	HAM35M#	HAM40M#		
P	P1		●	●		210 - 290	180 - 260	---	200 - 260		
	P2		●	●		170 - 250	160 - 200	---	160 - 220		
	P3		●	●		140 - 190	120 - 160	---	130 - 170		
	P4		●	●		120 - 160	110 - 150	---	120 - 150		
	P5		●	●		140 - 200	120 - 170	---	130 - 190		
M	M1		●	●	●	100 -150	---	120 - 180	110 - 160		
	M2		●	●	●	70 - 110	---	80 - 130	70 - 120		
K	K1		●	●		200 - 280	---	---	---		
	K2		●	●		130 - 180	---	---	---		
	K3		●	●		160 - 210	---	---	---		
N	N1		●	●	●	---	---	---	---		
	N2		●	●	●	---	---	---	---		
	N3		●	●	●	---	---	---	---		
	N4		●	●	●	---	---	---	---		
S	S1		●	●	●	---	---	70 - 90	55 - 70		
	S2		●	●	●	---	---	35 - 45	25 - 35		
	S3		●	●	●	---	---	50 - 100	30 - 70		
	S4		●	●	●	---	---	30 - 80	25 - 50		
H	H1	45 - 54 HRC	●	●		---	---	100 - 140	---		
	H2	55 - 63 HRC	●	●		---	---	80 - 120	---		
	H3	64 - 66 HRC	●	●		---	---	---	---		
	H4	50 - 60 HRC	●	●		---	---	90 - 130	---		

$V_c = m/min$

Note a 30-40% reduction in cutting data when using the "Megacut".

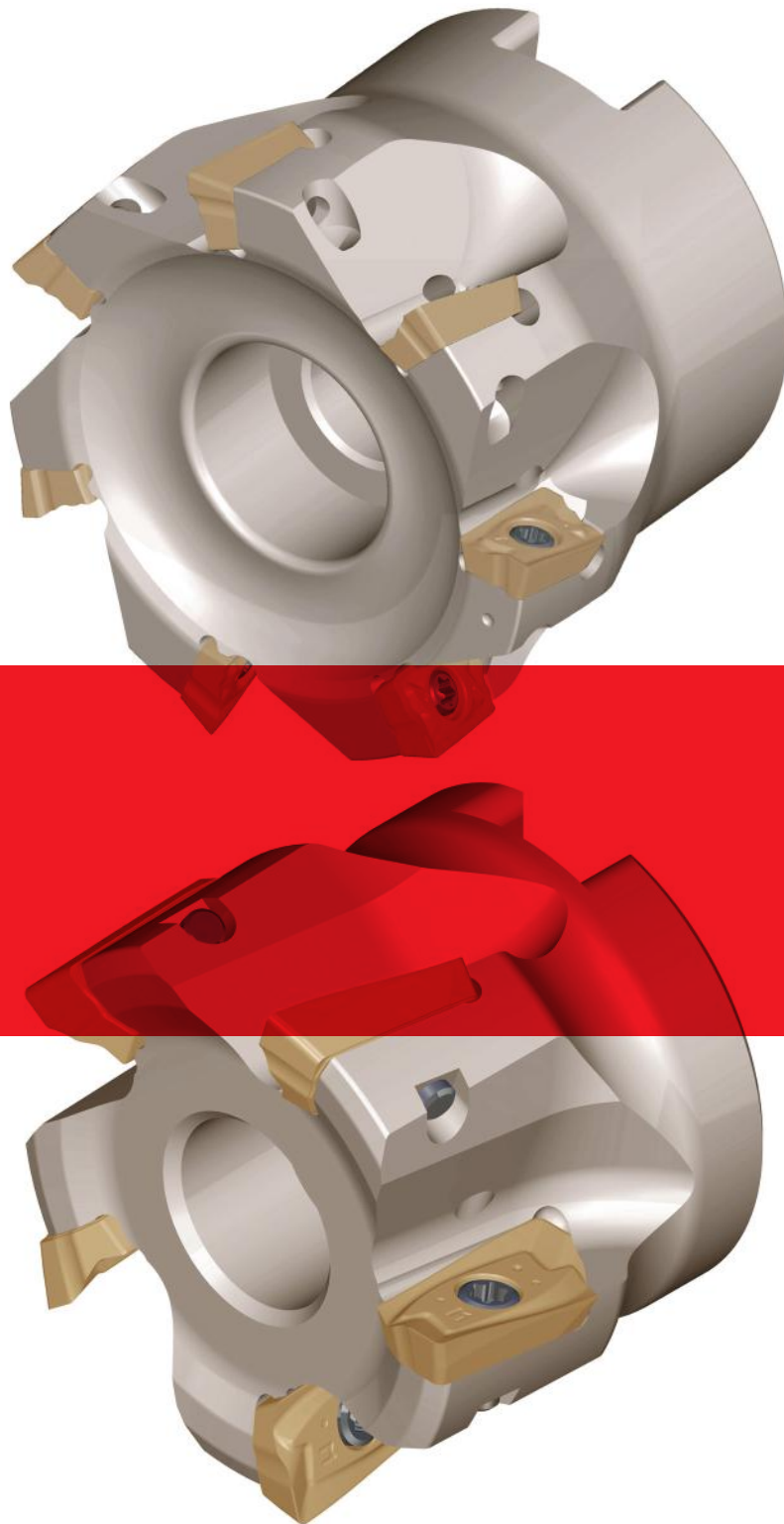
Schnittdaten $v_c$ [m/min] Cutting data $v_c$ [m/min]								
	HAK15M# HAK20M#	HXN10M#	HAN10M#	HAS35M# HAS40M#	HAH03M#	HAH05M# HAH10M#	HAH30M#	
	220 - 280	---	---	---	270 - 400	240 - 350	230 - 300	
	190 - 240	---	---	---	220 - 340	200 - 300	200 - 260	
	150 - 190	---	---	---	180 - 290	170 - 250	160 - 220	
	---	---	---	---	---	---	---	
	140 - 200	---	---	---	170 - 300	160 - 260	150 - 230	
	---	---	---	100 - 150	---	---	---	
	---	---	---	70 - 110	---	---	---	
	220 - 360	---	---	---	320 - 580	280 - 490	230 - 380	
	150 - 190	---	---	---	180 - 380	160 - 300	160 - 210	
	170 - 240	---	---	---	230 - 420	220 - 340	180 - 260	
	---	1200 - 2400	1500 - 3000	---	---	---	---	
	---	240 - 550	310 - 750	---	---	---	---	
	---	120 - 380	160 - 480	---	---	---	---	
	---	400 - 500	600 - 800	---	---	---	---	
	---	---	---	65 - 80	---	---	---	
	---	---	---	30 - 45	---	---	---	
	---	---	---	40 - 90	---	---	---	
	---	---	---	30 - 70	---	---	---	
	100 - 140	---	---	---	120 - 180	110 - 160	100 - 140	
	80 - 120	---	---	---	100 - 150	90 - 130	80 - 120	
	---	---	---	---	80 - 130	70 - 110	---	
	90 - 130	---	---	---	110 - 170	100 - 150	90 - 130	

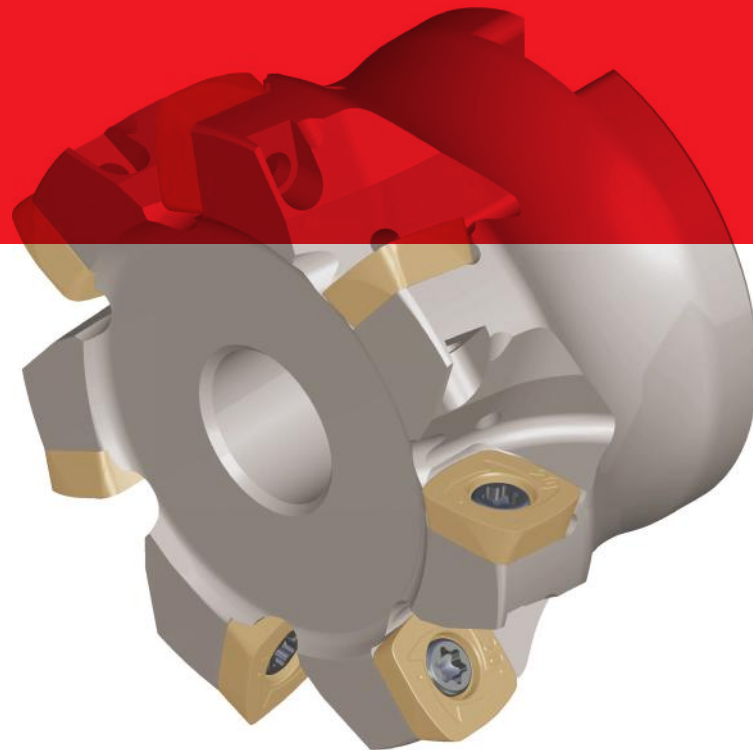
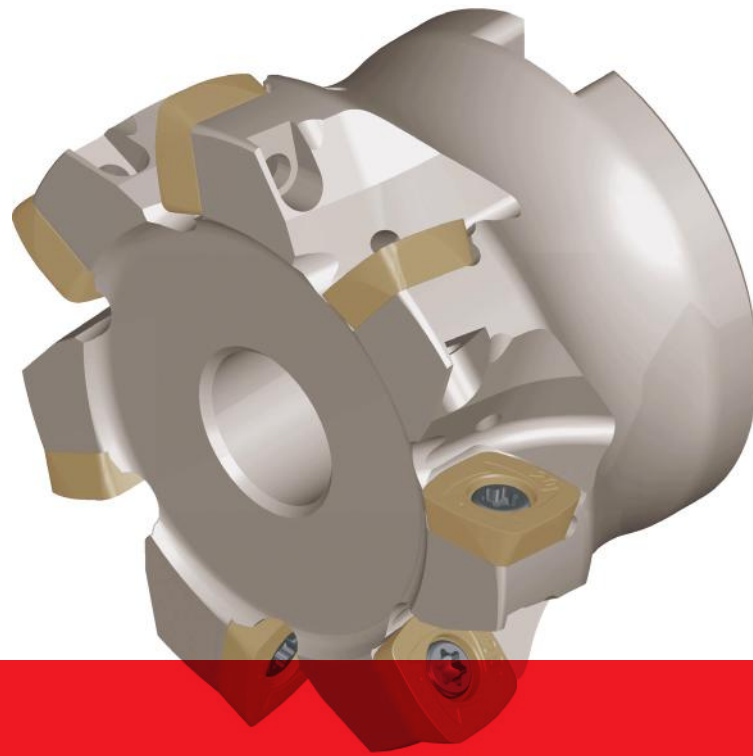
$V_c = m/min$

Note a 30-40% reduction in cutting data when using the "Megacut".

# FRÄSEN 90°




# MILLING 90°





**PG. 60 - 109**



	Aufsteckfräser 90° Face milling cutter 90°	Schaftfräser 90° End milling cutter 90°	Einschraubfräser 90° Screw on type 90°
Ausführung Execution			
Durchmesserbereich metrisch Diameter range metric	Ø 40 - 125 mm	Ø 12 - 40 mm	Ø 16 - 32 mm
Durchmesserbereich inch Diameter range inch	Ø 1 1/2" - 5"	Ø 1/2" - 1 1/2"	-
Plattengröße Insert size	AP.. 10, AP.. 16	AP.. 10, AP.. 16	AP.. 10

**Einzigartige Eigenschaften:**

- Hybrid-Design
- ISO-Einsatz mit helixförmiger Schneidkante und präzisem Schnitt
- Verschiedene Geometrien verfügbar
- Auswahl an verschiedenen Güteklassen verfügbar
- Optimale Schneidleistung kann nur in Kombination mit Heikenei-Einsätzen und -Werkzeugen erreicht werden
- HP- und HN-Geometrien sind nur für Schruppanwendungen geeignet.
- Schraubwerkzeuge in Kombination mit vibrationsdämpfenden Vollhartmetallverlängerungen
- Spezialgeometrien verfügbar für mittlere Bearbeitung (NR2) und Schruppbearbeitung von Stahl (DP2).

**Unique Characteristics:**

- Hybrid design
- ISO insert featuring helical cutting edge and precision cutting
- Range of diverse geometries available
- Selection of various grades available
- Optimal cutting performance can only be achieved when using Heikenei inserts and tools in combination
- HP and HN geometries are solely suitable for roughing applications.
- Screw-on tools combined with vibration-absorbing solid carbide extensions
- Specialized geometries available for medium machining (NR2) and roughing of steel (DP2).

90° Fräsparameter  
90° Milling parameter

WSP Geometrie Insert geometry	AP.T 10		AP.T 16	
	Schnitttiefe Cutting width [mm] $a_p$ max	Vorschub Feed [mm] $f_z$	Schnitttiefe Cutting width [mm] $a_p$ max	Vorschub Feed [mm] $f_z$
NR2	0,5 <b>3,0</b> 9,0	0,1 <b>0,15</b> 0,2	1,0 <b>8,0</b> 15,0	0,1 <b>0,15</b> 0,2
NN2	0,5 <b>3,0</b> 9,0	0,1 <b>0,15</b> 0,2	1,0 <b>8,0</b> 15,0	0,1 <b>0,15</b> 0,2
NP2	0,5 <b>5,0</b> 9,0	0,1 <b>0,16</b> 0,24	1,0 <b>9,0</b> 15,0	0,1 <b>0,16</b> 0,26
DP2	0,5 <b>3,0</b> 9,0	0,2 <b>0,22</b> 0,28	1,0 <b>8,0</b> 15,0	0,2 <b>0,25</b> 0,3
DK2	0,5 <b>3,0</b> 9,0	0,2 <b>0,25</b> 0,3	1,0 <b>8,0</b> 15,0	0,2 <b>0,27</b> 0,35

Walzenstirnfräser  
Helical cutter

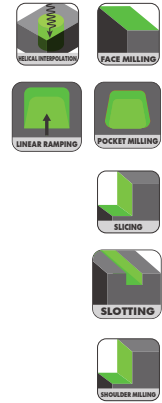
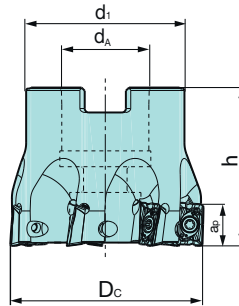
WSP Geometrie Insert geometry	AP.T 10		AP.T 16	
	Schnittbreite Cutting width [D x %] $a_e$ max	Vorschub Feed [mm] $f_z$	Schnittbreite Cutting width [D x %] $a_e$ max	Vorschub Feed [mm] $f_z$
NR2	5 - 70%	0,1 <b>0,15</b> 0,2	5 - 70%	0,1 <b>0,15</b> 0,2
NN2	5 - 70%	0,1 <b>0,15</b> 0,2	5 - 70%	0,1 <b>0,15</b> 0,2
NP2	5 - 80%	0,1 <b>0,16</b> 0,24	5 - 80%	0,1 <b>0,16</b> 0,26
DP2	5 - 70%	0,2 <b>0,22</b> 0,28	5 - 70%	0,2 <b>0,25</b> 0,3
DK2	5 - 70%	0,2 <b>0,25</b> 0,3	5 - 70%	0,2 <b>0,27</b> 0,35

Eintauchwinkel  
Ramping angle



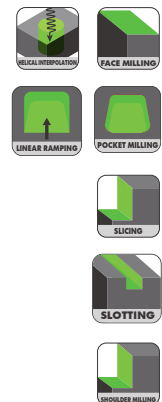
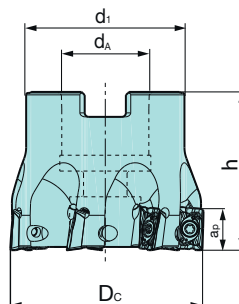
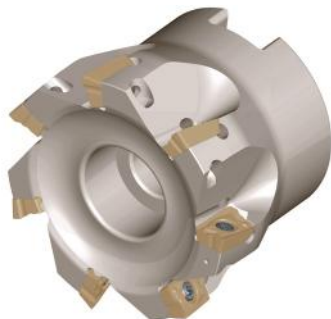
Durchmesser Fräser Diameter Milling cutter	Eintauchwinkel Fräser $\alpha$ max. Ramping angle Milling cutter $\alpha$ max. APT 10	Eintauchwinkel Fräser $\alpha$ max. Ramping angle Milling cutter $\alpha$ max. APT 16
Ø 16	4,5°	-
Ø 20	3,8°	-
Ø 25	2,5°	5,2°
Ø 32	1,7°	3,4°
Ø 40	1,3°	2,5°
Ø 50	0,9°	1,8°
Ø 63	0,7°	1,3°
Ø 80	0,5°	1,0°
Ø 100	-	0,7°
Ø 125	-	0,6°

Aufsteckfräser 90° / AP.. 10  
Face milling cutter 90° / AP.. 10



Abmessungen [mm] Dimensions [mm]						Artikelbezeichnung Item Code	Bestell-Nr. Order No	Verfüg. Availability	Ersatzteile Spare parts		
D <sub>C</sub>	d <sub>A</sub>	d <sub>I</sub>	h	a <sub>p</sub>	z				Spann- schraube Fastening screw HKEI7-36166 5004300 MA = 2Nm	Torx- Schlüssel Torque wrench IP8 5000800	
40	16	32	40	9	6	HMF90 AP10.040 Z06	2233500	•			
50	22	40	40	9	6	HMF90 AP10.050 Z06	2233600	•			
50	22	40	40	9	7	HMF90 AP10.050 Z07	2233700	•			
63	22	46	40	9	8	HMF90 AP10.063 Z08	2233800	•			
80	27	54	50	9	10	HMF90 AP10.080 Z10	2233900	•			

Aufsteckfräser 90° / AP.. 10 / INCH  
Face milling cutter 90° / AP.. 10 / INCH

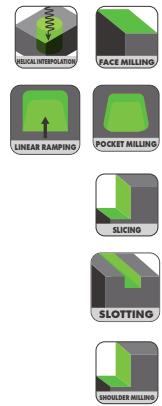
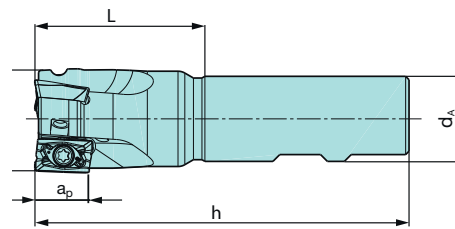


Abmessungen [INCH] Dimensions [INCH]						Artikelbezeichnung Item Code	Bestell-Nr. Order No	Verfüg. Availability	Ersatzteile Spare parts		
D <sub>C</sub>	d <sub>A</sub>	d <sub>I</sub>	h	a <sub>p</sub>	z				Spann- schraube Fastening screw HKEI7-36166 5004300 MA = 2Nm	Torx- Schlüssel Torque wrench IP8 5000800	
1.5	0.75	1.375	1.50	0.354	6	HMFU90 AP10.1500 Z06-INCH	2250700	○			
2.0	0.75	1.750	1.50	0.354	6	HMFU90 AP10.2000 Z06-INCH	2250800	○			
2.0	0.75	1.750	1.50	0.354	7	HMFU90 AP10.2000 Z07-INCH	2250900	○			
2.5	1.00	2.250	1.75	0.354	8	HMFU90 AP10.2500 Z08-INCH	2251000	○			
3.0	1.00	2.250	1.75	0.354	10	HMFU90 AP10.3000 Z10-INCH	2251100	○			

# ISO 90P

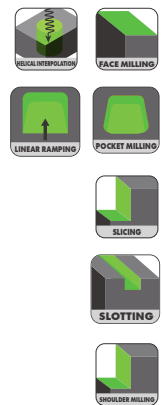
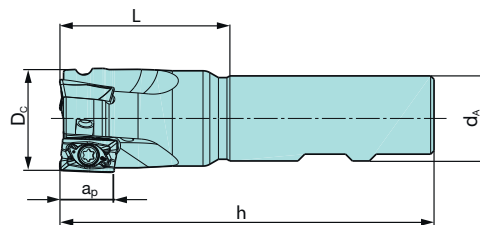


## Schafffräser 90° / AP.. 10



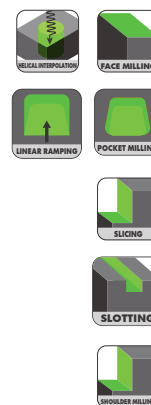
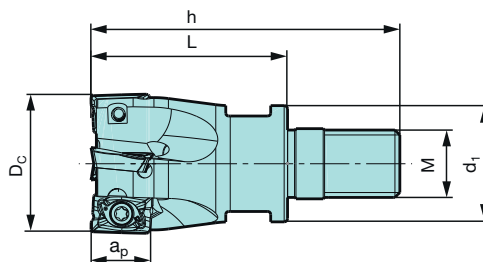
Abmessungen [mm] Dimensions [mm]						Artikelbezeichnung Item Code	Schaft Shank	Bestell-Nr. Order No	Verfüg. Availability	Ersatzteile Spare parts	
D <sub>C</sub>	d <sub>A</sub>	h	a <sub>p</sub>	L	z						
12	16	80	9	32	1	HME90 AP10.012 Z01	SW	2205900	•	Spannschraube Fastening screw HKE17-36166 5004300 MA = 2Nm	Torx-Schlüssel Torque wrench IP8 5000800
12	16	120	9	32	1	HME90 AP10.012 Z01-120	SS	2206000	•		
16	16	85	9	37	2	HME90 AP10.016 Z02	SW	2206100	•		
16	16	130	9	37	2	HME90 AP10.016 Z02-130	SS	2206200	•		
20	20	90	9	40	3	HME90 AP10.020 Z03	SW	2206300	•		
20	20	150	9	40	3	HME90 AP10.020 Z03-150	SS	2206400	•		
25	25	105	9	49	4	HME90 AP10.025 Z04	SW	2206500	•		
25	25	170	9	49	4	HME90 AP10.025 Z04-170	SS	2206600	•		
32	25	110	9	54	5	HME90 AP10.032 Z05	SW	2206700	•		
32	25	195	9	54	5	HME90 AP10.032 Z05-195	SS	2206800	•		

## Schafffräser 90° / AP.. 10 / INCH End milling cutter 90° / AP.. 10 / INCH



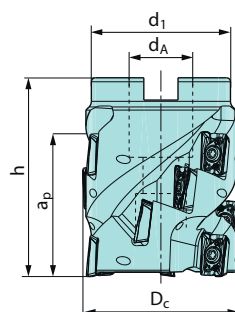
Abmessungen [INCH] Dimensions [INCH]						Artikelbezeichnung Item Code	Schaft Shank	Bestell-Nr. Order No	Verfüg. Availability	Ersatzteile Spare parts	
D <sub>C</sub>	d <sub>A</sub>	h	a <sub>p</sub>	L	z						
0.500	0.625	3.250	0.354	1.250	1	HMEU90 AP10.0500 Z01	SW	2216400	○	Spannschraube Fastening screw HKE17-36166 5004300 MA = 2Nm	Torx-Schlüssel Torque wrench IP8 5000800
0.625	0.625	3.250	0.354	1.375	2	HMEU90 AP10.0625 Z02	SW	2216500	○		
0.750	0.750	3.375	0.354	1.500	3	HMEU90 AP10.0750 Z03	SW	2216600	○		
1.000	1.000	4.000	0.354	2.000	4	HMEU90 AP10.1000 Z04	SW	2216700	○		
1.250	1.000	4.000	0.354	2.000	5	HMEU90 AP10.1250 Z05	SW	2216800	○		

Einschraubfräser 90° / AP.. 10  
Screw on type 90° / AP.. 10



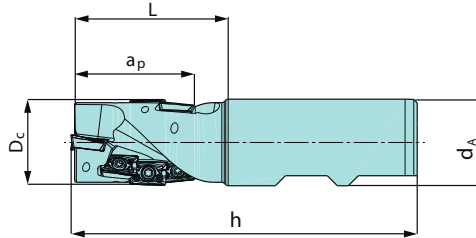
Abmessungen [mm] Dimensions [mm]							Artikelbezeichnung Item Code	Bestell-Nr. Order No	Verfüg. Availability	Ersatzteile Spare parts	
D <sub>C</sub>	d <sub>1</sub>	L	h	a <sub>p</sub>	M	z					
16	12,7	23	41	9	M8	2	HMS90 AP10.016 Z02-M8	2256100	•	Spann- schraube Fastening screw HKE17-36166 5004300 MA = 2Nm	Torx- Schlüssel Torque wrench IP8 5000800
20	17,7	30	50	9	M10	3	HMS90 AP10.020 Z03-M10	2256200	•		
25	20,7	35	57	9	M12	4	HMS90 AP10.025 Z04-M12	2256300	•		
32	28,7	43	67	9	M16	5	HMS90 AP10.032 Z05-M16	2256400	•		

Aufsteckfräser 90° / AP.. 10  
Face milling cutter 90° / AP.. 10



Abmessungen [mm] Dimensions [mm]							Artikelbezeichnung Item Code	Bestell-Nr. Order No	Verfüg. Availability	Ersatzteile Spare parts	
D <sub>C</sub>	d <sub>A</sub>	d <sub>1</sub>	h	ap/90°	z	Anzahl WSP Pieces Insert					
40	16	35	50	37	3	12	HMFH90 AP10.040 Z03-037	2245000	=	Spann- schraube Fastening screw HKE17- 36166 5004300 MA = 2Nm	Torx- Schlüssel Torque wrench IP8 5000800
40	16	35	50	37	5	20	HMFH90 AP10.040 Z05-037	2245100	=		
50	22	48	60	46	3	15	HMFH90 AP10.050 Z03-046	2245200	=		
50	22	48	60	46	5	25	HMFH90 AP10.050 Z05-046	2245300	=		
63	27	53	60	46	4	20	HMFH90 AP10.063 Z04-046	2245400	=		
63	27	53	60	46	7	35	HMFH90 AP10.063 Z07-046	2245500	=		

Schafffräser 90° / AP.. 10  
End milling cutter 90° / AP.. 10



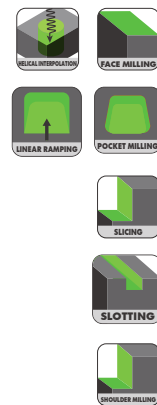
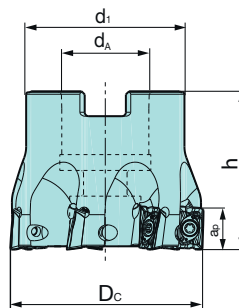
Abmessungen [mm] Dimensions [mm]							Artikelbezeichnung Item Code	Schaft Shank	Bestell-Nr. Order No	Verfüg. Availability	Ersatzteile Spare parts	
D <sub>C</sub>	d <sub>A</sub>	L	h	ap/90°	z	Anzahl WSP Pieces Insert						
20	20	37	87	28	2	6	HMEH90 AP10.020 Z02-028	SW	2215600	=	Spannschraube Fastening screw HKE17-36166 5004300 MA = 2Nm	Torx-Schlüssel Torque wrench IP8 5000800
25	25	49	105	37	2	8	HMEH90 AP10.025 Z02-037	SW	2215700	=		
32	32	55	115	46	2	10	HMEH90 AP10.032 Z02-046	SW	2215800	=		
32	32	55	115	46	3	15	HMEH90 AP10.032 Z03-046	SW	2215900	=		
40	32	70	130	55	3	18	HMEH90 AP10.040 Z03-055	SW	2216000	=		

Bild & Zeichnung Image & Drawings	Artikelbezeichnung Item Code	Schneidstoffsorte Cutting materials	Bestell-Nr. Order No	Verfüg. Availability	Abmessungen [mm] Dimensions [mm]				
					l	d	s	d <sub>1</sub>	r
	■ APKT 100304 TR-NR2	HAP25M	2133000	•	10	6,7	3,5	2,8	0,4
	■ APKT 100304 TR-NR2	HAP35M	2133100	•	10	6,7	3,5	2,8	0,4
	■ APKT 100304 TR-NN2	HAM40M	2132900	•	10	6,7	3,5	2,8	0,4
	■ APHT 100304 GR-NP2	HAN10M	2200700	•	10	6,7	3,5	2,8	0,4
	■ APHT 100304 GR-NP2	HXN10M	2200800	•	10	6,7	3,5	2,8	0,4
	■ APKT 100304 TR-DP2	HAP30M	2133400	•	10	6,7	3,5	2,8	0,4
	■ APKT 100304 TR-DP2	HAP35M	2133500	•	10	6,7	3,5	2,8	0,4
	■ APKT 100304 TR-DP2	HAP40M	2133600	•	10	6,7	3,5	2,8	0,4
	■ APKT 100304 TR-DK2	HAK15M	2133200	•	10	6,7	3,5	2,8	0,4
	■ APKT 100304 TR-DK2	HAK20M	2133300	•	10	6,7	3,5	2,8	0,4

N = 2

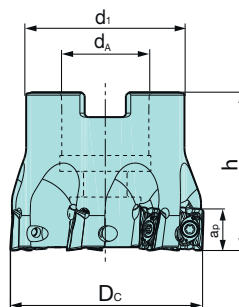


Aufsteckfräser 90° / AP.. 16  
Face milling cutter 90° / AP.. 16



Abmessungen [mm] Dimensions [mm]						Artikelbezeichnung Item Code	Bestell-Nr. Order No	Verfüg. Availability	Ersatzteile Spare parts	
D <sub>C</sub>	d <sub>A</sub>	d <sub>I</sub>	h	a <sub>p</sub>	z					
40	16	32	40	15	4	HMF90 AP16.040 Z04	2234000	•	Spannschraube Fastening screw HKE02-51206 5002600 MA = 3Nm	Torx- Schlüssel Torque wrench IP15 5001100
50	22	42	40	15	5	HMF90 AP16.050 Z05	2234100	•		
63	22	48	40	15	6	HMF90 AP16.063 Z06	2234200	•		
80	27	58	50	15	7	HMF90 AP16.080 Z07	2234300	•		
100	32	76	50	15	8	HMF90 AP16.100 Z08	2234400	•		
125	40	90	63	15	9	HMF90 AP16.125 Z09	2234500	•		

Aufsteckfräser 90° / AP.. 16 / INCH  
Face milling cutter 90° / AP.. 16 / INCH

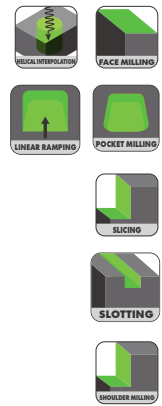
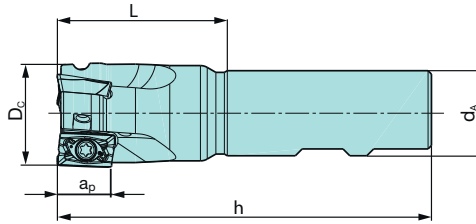


Abmessungen [INCH] Dimensions [INCH]						Artikelbezeichnung Item Code	Bestell-Nr. Order No	Verfüg. Availability	Ersatzteile Spare parts	
D <sub>C</sub>	d <sub>A</sub>	d <sub>I</sub>	h	a <sub>p</sub>	z					
2.0	0.75	1.75	1.50	0.590	5	HMFU90 AP16.2000 Z05-INCH	2251200	○	Spannschraube Fastening screw HKE02-51206 5002600 MA = 3Nm	Torx- Schlüssel Torque wrench IP15 5001100
2.5	1.00	2.25	1.75	0.590	6	HMFU90 AP16.2500 Z06-INCH	2251300	○		
3.0	1.00	2.25	1.75	0.590	7	HMFU90 AP16.3000 Z07-INCH	2251400	○		
4.0	1.50	3.75	2.25	0.590	8	HMFU90 AP16.4000 Z08-INCH	2251500	○		
5.0	1.50	3.75	2.50	0.590	9	HMFU90 AP16.5000 Z09-INCH	2251600	○		

# ISO 90P

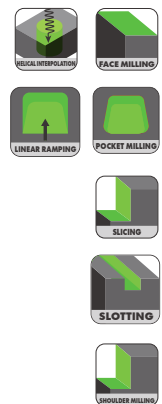
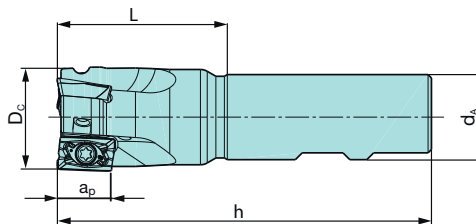


Schafffräser 90° / AP.. 16  
End milling cutter 90° / AP.. 16



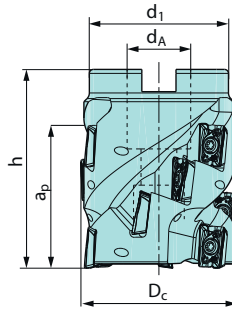
Abmessungen [mm] Dimensions [mm]						Artikelbezeichnung Item Code	Schaft Shank	Bestell-Nr. Order No	Verfüg. Availability	Ersatzteile Spare parts	
D <sub>C</sub>	d <sub>A</sub>	h	a <sub>p</sub>	L	z						
25	20	100	15	40	2	HME90 AP16.025 Z02	SW	2206900	•	Spannschraube Fastening screw HKE02-51206 5002600 MA = 3Nm	Torx-Schlüssel Torque wrench IP15 5001100
25	20	200	15	40	2	HME90 AP16.025 Z02-200	SS	2207000	•		
32	25	110	15	50	3	HME90 AP16.032 Z03	SW	2207100	•		
32	25	200	15	50	3	HME90 AP16.032 Z03-200	SS	2207200	•		
40	32	115	15	55	4	HME90 AP16.040 Z04	SW	2207300	•		

Schafffräser 90° / AP.. 16 / INCH  
End milling cutter 90° / AP.. 16 / INCH



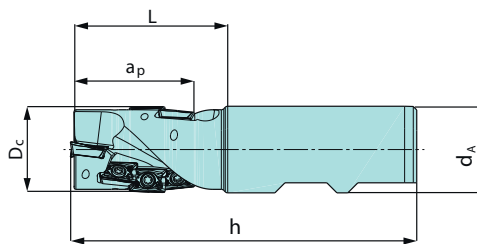
Abmessungen [INCH] Dimensions [INCH]						Artikelbezeichnung Item Code	Schaft Shank	Bestell-Nr. Order No	Verfüg. Availability	Ersatzteile Spare parts	
D <sub>C</sub>	d <sub>A</sub>	h	a <sub>p</sub>	L	z						
1.00	1.00	4.0	0.590	2.00	2	HMEU90 AP16.1000 Z02	SW	2216900	○	Spannschraube Fastening screw HKE02-51206 5002600 MA = 3Nm	Torx-Schlüssel Torque wrench IP15 5001100
1.25	1.00	4.5	0.590	2.25	3	HMEU90 AP16.1250 Z03	SW	2217000	○		
1.50	1.25	4.5	0.590	2.25	4	HMEU90 AP16.1500 Z04	SW	2217100	○		

Aufsteckfräser 90° / AP.. 16  
Face milling cutter 90° / AP.. 16

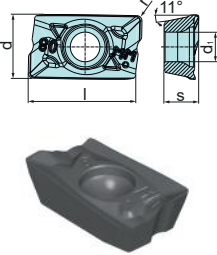





Abmessungen [mm] Dimensions [mm]							Artikelbezeichnung Item Code	Bestell-Nr. Order No	Verfüg. Availability	Ersatzteile Spare parts			
D <sub>C</sub>	d <sub>A</sub>	d <sub>1</sub>	h	ap/90°	z	Anzahl WSP Pieces Insert				Spannschraube Fastening screw HKE02-51206 5002600 MA = 3Nm	Torx-Schlüssel Torque wrench IP15 5001100		
50	27	48	50	30	3	6	HMFH90 AP16.050 Z03-030	2245600	•				
63	27	55	60	44	4	12	HMFH90 AP16.063 Z04-044	2245700	•				
80	32	70	60	44	5	15	HMFH90 AP16.080 Z05-044	2245800	•				
100	40	88	60	44	6	18	HMFH90 AP16.100 Z06-044	2245900	•				
125	40	95	60	44	7	21	HMFH90 AP16.125 Z07-044	2246000	•				

Schaftfräser 90° / AP.. 16  
End milling cutter 90° / AP.. 16



Abmessungen [mm] Dimensions [mm]							Artikelbezeichnung Item Code	Schaft Shank	Bestell-Nr. Order No	Verfüg. Availability	Ersatzteile Spare parts			
D <sub>C</sub>	d <sub>A</sub>	L	h	ap/90°	z	Anzahl WSP Pieces Insert					Spannschraube Fastening screw HKE02-51206 5002600 MA = 3Nm	Torx-Schlüssel Torque wrench IP15 5001100		
25	25	38	95	29	1	3	HMEH90 AP16.025 Z01-029	SW	2216100	•				
32	32	53	115	44	2	6	HMEH90 AP16.032 Z02-044	SW	2216200	•				
40	32	65	130	58	2	6	HMEH90 AP16.040 Z02-058	SW	2216300	•				

Bild & Zeichnung Image & Drawings	Artikelbezeichnung Item Code	Schneidstoffsorte Cutting materials	Bestell-Nr. Order No	Verfüg. Availability	Abmessungen [mm] Dimensions [mm]					
					l	d	s	d <sub>1</sub>	r	
 <p>N = 2</p>	■ APKT 160408 TR-NR2	HAP25M	2134500	•	16	9,6	5,26	4,5	0,8	
	■ APKT 160408 TR-NR2	HAP35M	2134600	•	16	9,6	5,26	4,5	0,8	
	■ APKT 160408 TR-NN2	HAM40M	2134400	•	16	9,6	5,26	4,5	0,8	
	■ APHT 160408 GR-NP2	HAN10M	2201100	•	16	9,52	5,26	4,5	0,8	
	■ APHT 160408 GR-NP2	HXN10M	2201200	•	16	9,52	5,26	4,5	0,8	
	■ APKT 160408 TR-DP2	HAP30M	2134900	•	16	9,6	5,26	4,5	0,8	
	■ APKT 160408 TR-DP2	HAP35M	2135000	•	16	9,6	5,26	4,5	0,8	
	■ APKT 160408 TR-DP2	HAP40M	2135100	•	16	9,6	5,26	4,5	0,8	
	■ APKT 160408 TR-DK2	HAK15M	2134700	•	16	9,6	5,26	4,5	0,8	
	■ APKT 160408 TR-DK2	HAK20M	2134800	•	16	9,6	5,26	4,5	0,8	

	Aufsteckfräser 90° Face milling cutter 90°	Schaftfräser 90° End milling cutter 90°	Einschraubfräser 90° Screw on type 90°
Ausführung Execution			
Durchmesserbereich metrisch Diameter range metric	Ø 32 - 160 mm	Ø 10 - 40 mm	Ø 10 - 40 mm
Durchmesserbereich inch Diameter range inch	Ø 1 1/2" - 5"	Ø 1/2" - 1 1/2"	Ø 3/4" - 1"
Plattengröße Insert size	XP.. 06, XD.. 10, XD.. 18	XP.. 06, XD.. 10, XD..18	XP.. 06, XD.. 10

**Einzigartige Eigenschaften: Fräsen 90°**

- Werkzeugsystem mit mehreren Funktionen für maximale Produktivität
- Ein Grundkörper, der 2 Bearbeitungsmethoden ausführen kann und somit multifunktional ist
- Reduzierter Bedarf an Lagerung und Werkzeugkauf aufgrund weniger Artikel
- Genauigkeit des 90°-Schulterwinkels bis zur halben Schneidkantenlänge bei allen Durchmessern
- Helikale Schneidkantengeometrie für reduzierte Schneidkräfte
- Vibrationsdämpfendes Konzept für eine größere Werkzeugauskragung in Kombination mit Vollhartmetallverlängerungen
- Reduzierung der Bearbeitungskosten durch stufenloses Schulterfräsen
- Hohe Schnitttraten auch auf ineffizienten Maschinen erreichbar.

**Unique Characteristics: Milling 90°**

- Tool system with multiple functions for maximum productivity
- One basic body that can perform 2 machining methods, making it multifunctional
- Reduced need for storage and tool purchasing due to fewer items
- 90° shoulder accuracy up to 1/2 cutting edge length on all diameters
- Helical cutting edge design for reduced cutting forces
- Vibration dampening approach for increased blade overhang when used with solid carbide extensions
- Reduced machining costs through the use of stepless shoulder milling
- High cutting rates achievable even on inefficient machines.

**Einzigartige Eigenschaften: Fräsen Hoher Vorschub**

- Schnittgeschwindigkeiten bei guter Prozesssicherheit erreichen
- Glatte Schnitte auch beim Nutfräsen erzielen können
- 100% Funktionalität beider Schneidkanten auch bei der Bearbeitung im "Späneförderkanal" gewährleisten
- Spezielle Schneidkantengeometrie für optimale Verteilung der Schnittkräfte sorgen
- Hohe Anzahl von Zähnen auch bei Werkzeugen mit kleinem Durchmesser.

**Unique Characteristics: Milling High Feed**

- Achieving fast cutting rates without compromising process security
- Ability to produce smooth cuts even during slot milling operations
- 100% functionality of both cutting edges even during machining inside the "Reservoir Tank"
- Special cutting edge geometry ensures optimal distribution of cutting forces
- High number of teeth even on small diameter tools.
- Small diameter with many teeth

**90° Fräsparameter**  
90° Milling parameter

WSP Geometrie Insert geometry	XP.. 06		XD.. 10		XD.. 18	
	Schnitttiefe Cutting depth [mm] a <sub>p</sub> max	Vorschub Feed [mm] f <sub>z</sub>	Schnitttiefe Cutting depth [mm] a <sub>p</sub> max	Vorschub Feed [mm] f <sub>z</sub>	Schnitttiefe Cutting depth [mm] a <sub>p</sub> max	Vorschub Feed [mm] f <sub>z</sub>
NR	0,5 <b>2,0</b> 5,2	0,1 <b>0,13</b> 0,17	1,0 <b>3,0</b> 9,0	0,1 <b>0,18</b> 0,25	1,0 <b>6,0</b> 17,0	0,1 <b>0,19</b> 0,25
NN	0,5 <b>2,0</b> 5,2	0,08 <b>0,10</b> 0,15	1,0 <b>3,0</b> 9,0	0,1 <b>0,15</b> 0,20	1,0 <b>6,0</b> 17,0	0,1 <b>0,15</b> 0,22
NK	-	-	1,0 <b>3,0</b> 9,0	0,15 <b>0,20</b> 0,27	1,0 <b>6,0</b> 17,0	0,15 <b>0,21</b> 0,26
NP	-	-	1,0 <b>3,0</b> 9,0	0,1 <b>0,14</b> 0,26	1,0 <b>6,0</b> 17,0	0,1 <b>0,14</b> 0,26
NU	-	-	1,0 <b>3,0</b> 9,0	0,1 <b>0,15</b> 0,20	-	-
OH	0,3 <b>2,0</b> 5,2	0,08 <b>0,10</b> 0,15				
DP	-	-	-	-	1,0 <b>6,0</b> 17,0	0,15 <b>0,22</b> 0,28
DK	-	-	-	-	1,0 <b>6,0</b> 17,0	0,15 <b>0,24</b> 0,30

**HF Hochvorschub Fräsparameter**  
HF High feed cutting parameter

WSP Geometrie Insert geometry	XP.. 06		XD.. 10	
	Schnitttiefe Cutting depth [mm] a <sub>p</sub> max	Vorschub Feed [mm] f <sub>z</sub>	Schnitttiefe Cutting depth [mm] a <sub>p</sub> max	Vorschub Feed [mm] f <sub>z</sub>
NRH	0,2 <b>0,4</b> 0,7	0,2 <b>0,5</b> 0,8	0,4 <b>0,9</b> 1,4	0,6 <b>1,0</b> 1,5
NNH	0,2 <b>0,4</b> 0,7	0,2 <b>0,4</b> 0,7	0,4 <b>0,9</b> 1,4	0,5 <b>0,9</b> 1,3
NKH	-	-	0,4 <b>0,9</b> 1,4	0,6 <b>1,2</b> 1,5
NHH	0,2 <b>0,4</b> 0,7	0,2 <b>0,5</b> 0,8	0,4 <b>0,9</b> 1,4	0,6 <b>1,2</b> 1,5



HF Eintauchwinkel  
HF Ramping angle

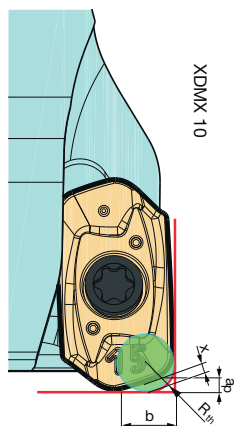


Durchmesser Fräser Diameter Milling cutter	Eintauchwinkel HF-Fräser Ramping angle HF milling cutter XP.. 06	Eintauchwinkel HF-Fräser Ramping angle HF milling cutter XD.. 10
Ø 10	6,3°	-
Ø 12	4,5°	-
Ø 16	3,5°	8,8°
Ø 18	-	7,3°
Ø 20	1,8°	6,1°
Ø 25	1,5°	4,4°
Ø 32	1,1°	3,2°
Ø 40	0,8°	2,4°
Ø 50	0,6°	1,9°
Ø 63	-	1,4°
Ø 80	-	1,1°

90° Eintauchwinkel  
90° Ramping angle



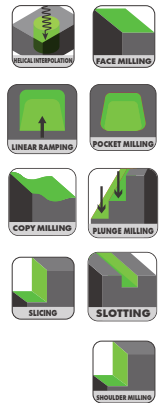
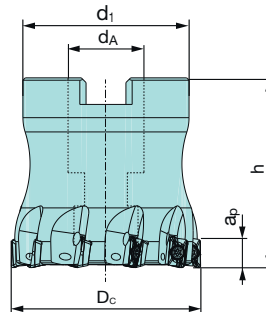
Durchmesser Fräser Diameter Milling cutter	Eintauchwinkel 90°-Fräser Ramping angle 90° milling cutter XP.. 06	Eintauchwinkel 90°-Fräser Ramping angle 90° milling cutter XD.. 10	Eintauchwinkel 90°-Fräser Ramping angle 90° milling cutter XD.. 18
Ø 10	8,4°	-	-
Ø 12	6,3°	-	-
Ø 16	5,0°	18,0°	-
Ø 18	-	15,5°	-
Ø 20	2,3°	12,2°	-
Ø 25	1,8°	8,7°	-
Ø 32	1,3°	6,2°	-
Ø 40	1,0°	4,6°	5,0°
Ø 50	0,8°	3,5°	4,0°
Ø 63	-	2,7°	3,2°
Ø 66	-	-	2,9°
Ø 80	-	2,1°	2,5°
Ø 100	-	-	2,0°
Ø 125	-	-	1,6°
Ø 160	-	-	1,2°



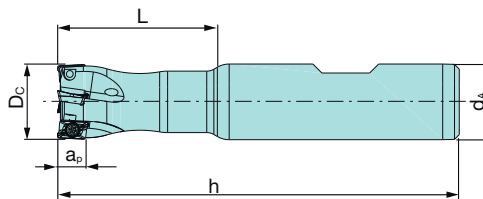
Größe WSP Insert size	Abmessungen [mm] Dimensions [mm]		
LX..	Rth	x	b
6	1,2	0,2	1,4
10	2,2	0,4	3,52

# 90P FEED

Aufsteckfräser 90° / XP.. 06  
Face milling cutter 90° / XP.. 06

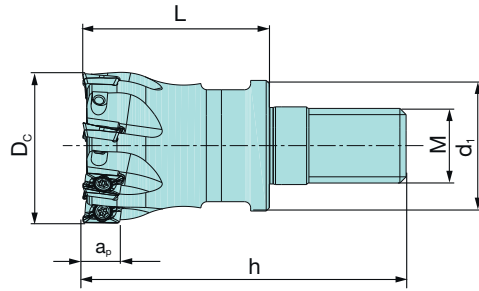


Abmessungen [mm] Dimensions [mm]							Artikelbezeichnung Item Code	Bestell-Nr. Order No	Verfüg. Availability	Ersatzteile Spare parts	
D <sub>C</sub>	d <sub>A</sub>	d <sub>1</sub>	h	ap/90	ap/HF	z				Spann- schraube Fastening screw HKE02- 29152 5001700 MA = 0,9Nm	Torx- Schlüssel Torque wrench IP6 5000600
32	16	25	40	5,2	0,7	8	HMF90 XP06.032 Z08	2239500	•		
40	16	35	40	5,2	0,7	10	HMF90 XP06.040 Z10	2239600	•		
50	22	43	40	5,2	0,7	11	HMF90 XP06.050 Z11	2239700	•		



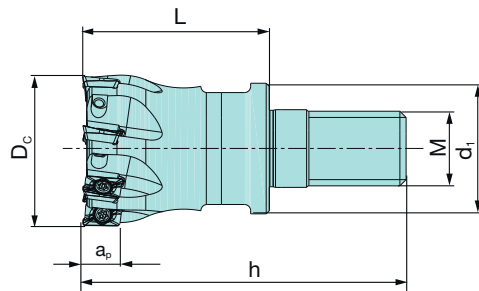
Abmessungen [mm] Dimensions [mm]							Artikelbezeichnung Item Code	Schaft Shank	Bestell-Nr. Order No	Verfüg. Availability	Ersatzteile Spare parts	
D <sub>C</sub>	d <sub>A</sub>	L	h	ap/90	ap/HF	z					Spann- schrau- be Fastening screw HKE02-29152 5001700 MA = 0,9Nm	Torx- Schlüssel Torque wrench IP6 5000600
10	10	28	80	5,2	0,7	2	HME90 XP06.010 Z02	SS	2210000	•		
12	12	30	80	5,2	0,7	3	HME90 XP06.012 Z03	SS	2210100	•		
16	16	35	85	5,2	0,7	4	HME90 XP06.016 Z04	SW	2210200	•		
20	20	40	90	5,2	0,7	5	HME90 XP06.020 Z05	SW	2210300	•		
25	25	50	106	5,2	0,7	7	HME90 XP06.025 Z07	SW	2210400	•		

Einschraubfräser 90° / XP.. 06  
Screw on type 90° / XP.. 06



Abmessungen [mm] Dimensions [mm]								Artikelbezeichnung Item Code	Bestell-Nr. Order No	Verfüg. Availability	Ersatzteile Spare parts	
D <sub>C</sub>	d <sub>1</sub>	L	h	ap/90	ap/HF	M	z					
10	9,8	15,5	30,5	5,2	0,7	6	2	HMS90 XP06.010 Z02-M6	2257200	•	Spannschraube Fastening screw HKE02-29152 5001700 MA = 0,9Nm	Torx-Schlüssel Torque wrench IP6 5000600
12	9,8	15,5	30,5	5,2	0,7	6	3	HMS90 XP06.012 Z03-M6	2257300	•		
16	13,8	20,5	38,5	5,2	0,7	8	4	HMS90 XP06.016 Z04-M8	2257400	•		
20	18	27	46	5,2	0,7	10	5	HMS90 XP06.020 Z05-M10	2257500	•		
25	21	30	52	5,2	0,7	12	7	HMS90 XP06.025 Z07-M12	2257600	•		
32	29	43	66	5,2	0,7	16	8	HMS90 XP06.032 Z08-M16	2257700	•		

Einschraubfräser 90° / XP.. 06 / INCH  
Screw on type 90° / XP.. 06 / INCH



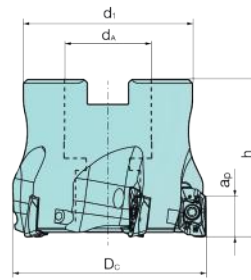
Abmessungen [INCH] Dimensions [INCH]								Artikelbezeichnung Item Code	Bestell-Nr. Order No	Verfüg. Availability	Ersatzteile Spare parts	
D <sub>C</sub>	d <sub>1</sub>	L	h	ap/90	ap/HF	M	z					
0.75	0.71	1.06	1.81	0.204	0.027	10	5	HMSU90 XP06.0750 Z05-M10INCH	2264100	○	Spannschraube Fastening screw HKE02-29152 5001700 MA = 0,9Nm	Torx-Schlüssel Torque wrench IP6 5000600
1.00	0.71	1.06	1.81	0.204	0.027	12	7	HMSU90 XP06.1000 Z07-M12INCH	2264200	○		

# 90P FEED



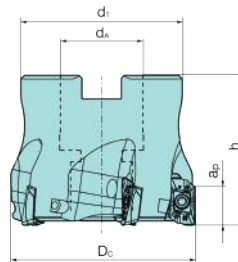
Bild & Zeichnung Image & Drawings	Artikelbezeichnung Item Code	Schneidstoffsorte Cutting materials	Bestell-Nr. Order No	Verfüg. Availability	Abmessungen [mm] Dimensions [mm]				
					l	d	s	d <sub>i</sub>	r
<p>N = 2</p>	90° Insert								
	■ XPMX 060204 NR	HAP25M	2177300	•	6	3,64	2,15	2,05	0,4
	■ XPMX 060204 NR	HAP35M	2177400	•	6	3,64	2,15	2,05	0,4
	■ XPMX 060204-NN	HAM35M	2177200	•	6	3,64	2,15	2,05	0,4
	■ XPMX 060220 NH	HAH10M	2178000	•	6	3,64	2,15	2,05	2,0
	■ XPMX 060220 NH	HAH30M	2178100	•	6	3,64	2,15	2,05	2,0
<p>N = 2</p>	HF Platten/HF insert								
	■ XPMX 060210 NRH	HAP20M	2177800	•	0,7	3,64	2,15	2,05	1
	■ XPMX 060210 NRH	HAP25M	2177900	•	0,7	3,64	2,15	2,05	1
	■ XPMX 060210 NNH	HAM35M	2177700	•	0,7	3,64	2,15	2,05	1
	■ XPMX 060210 NHH	HAH05M	2177500	•	0,7	3,64	2,15	2,05	1
	■ XPMX 060210 NHH	HAH10M	2177600	•	0,7	3,64	2,15	2,05	1

Aufsteckfräser 90° / XD.. 10  
Face milling cutter 90° / XD.. 10



Abmessungen [mm] Dimensions [mm]							Artikelbezeichnung Item Code	Bestell-Nr. Order No	Verfüg. Availability	Ersatzteile Spare parts	
DC	dA	d1	h	ap/90	ap/HF	z					
40	16	35	40	9	1,4	4	HMF90 XD10.040 Z04	2234600	•	Spann- schraube Fastening screw HKE02- 36179 5002100 MA = 2Nm	Torx- Schlüssel Torque wrench IP8 5000800
40	16	35	40	9	1,4	6	HMF90 XD10.040 Z06	2234700	•		
50	22	43	40	9	1,4	5	HMF90 XD10.050 Z05	2234800	•		
50	22	43	40	9	1,4	7	HMF90 XD10.050 Z07	2234900	•		
63	22	48	40	9	1,4	6	HMF90 XD10.063 Z06	2235000	•		
63	22	48	40	9	1,4	8	HMF90 XD10.063 Z08	2235100	•		
80	27	60	50	9	1,4	10	HMF90 XD10.080 Z10	2235200	•		

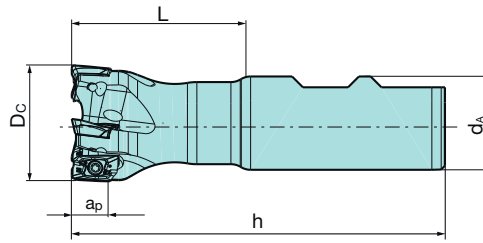
Aufsteckfräser 90° / XD.. 10 / INCH  
Face milling cutter 90° / XD.. 10 / INCH



Abmessungen [INCH] Dimensions [INCH]							Artikelbezeichnung Item Code	Bestell-Nr. Order No	Verfüg. Availability	Ersatzteile Spare parts	
DC	dA	d1	h	ap/90	ap/HF	z					
1.5	0.75	1.375	1.50	0.354	0.055	4	HMFU90 XD10.1500 Z04-INCH	2251700	○	Spann- schraube Fastening screw HKE02-36179 5002100 MA= 2Nm	Torque wrench IP8 5000800
2.0	0.75	1.750	1.50	0.354	0.055	5	HMFU90 XD10.2000 Z05-INCH	2251800	○		
2.5	1.00	2.250	1.75	0.354	0.055	6	HMFU90 XD10.2500 Z06-INCH	2251900	○		
3.0	1.00	2.250	2.00	0.354	0.055	8	HMFU90 XD10.3000 Z08-INCH	2252000	○		

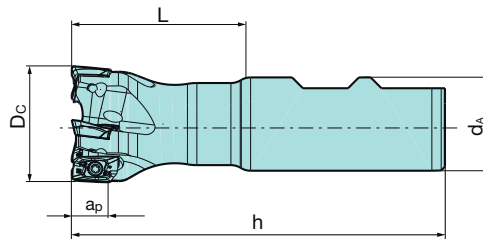
## 90P FEED

Schafffräser 90° / XD.. 10  
End milling cutter 90° / XD.. 10



Abmessungen [mm] Dimensions [mm]							Artikelbezeichnung Item Code	Schaft Shank	Bestell-Nr. Order No	Verfüg. Availability	Ersatzteile Spare parts	
D <sub>C</sub>	d <sub>A</sub>	L	h	ap/90	ap/HF	z					Spann- schraube Fastening screw HKE02-36162 5001900 MA = 2Nm	Torx- Schlüssel Torque wrench IP8 5000800
16	16	37	85	9	1,4	2	HME90 XD10.016 Z02	SW	2207400	•		
18	20	38	90	9	1,4	2	HME90 XD10.018 Z02	SW	2207500	○		
20	20	40	90	9	1,4	2	HME90 XD10.020 Z02	SW	2207600	•		
20	20	90	140	9	1,4	2	HME90 XD10.020 Z02-140	SS	2207700	○		
20	20	40	90	9	1,4	3	HME90 XD10.020 Z03	SW	2207800	•		
25	25	50	106	9	1,4	3	HME90 XD10.025 Z03	SW	2207900	•		
25	25	50	106	9	1,4	4	HME90 XD10.025 Z04	SW	2208000	•		
32	32	64	124	9	1,4	3	HME90 XD10.032 Z03	SW	2208100	•		
32	32	64	124	9	1,4	5	HME90 XD10.032 Z05	SW	2208200	•		

Schafffräser 90° / XD.. 10 / INCH  
End milling cutter 90° / XD.. 10 / INCH

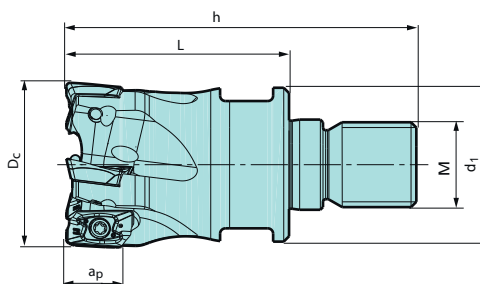


Abmessungen [INCH] Dimensions [INCH]							Artikelbezeichnung Item Code	Schaft Shank	Bestell-Nr. Order No	Verfüg. Availability	Ersatzteile Spare parts	
D <sub>C</sub>	d <sub>A</sub>	L	h	ap/90	ap/HF	z					Spann- schrau- be Fastening screw HKE02-36179 5002100 MA= 2Nm	Torque wrench IP8 5000800
0.500	0.625	1.250	3.25	0.354	0.055	1	HMEU90 XD10.0500 Z01-325	SW	2217200	○		
0.625	0.625	1.250	3.25	0.354	0.055	2	HMEU90 XD10.0625 Z02-325	SW	2217300	○		
0.750	0.750	1.625	3.50	0.354	0.055	2	HMEU90 XD10.0750 Z02-350	SW	2217400	○		
1.000	1.000	2.000	4.00	0.354	0.055	3	HMEU90 XD10.1000 Z03-400	SW	2217500	○		
1.250	1.000	2.000	4.00	0.354	0.055	3	HMEU90 XD10.1250 Z03-400	SW	2217600	○		



# 90P FEED

Einschraubfräser 90° / XD.. 10  
Screw on type 90° / XD.. 10

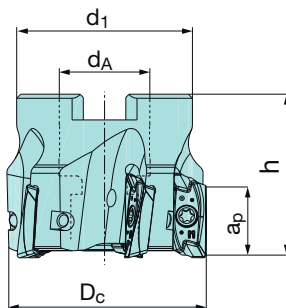


Abmessungen [mm] Dimensions [mm]								Artikelbezeichnung Item Code	Bestell-Nr. Order No	Verfüg. Availability	Ersatzteile Spare parts	
D <sub>C</sub>	d <sub>i</sub>	h	L	ap/90	ap/HF	M	z					
16	13,8	49	31	9	1,4	8	2	HMS90 XD10.016 Z02-M8	2256500	•	HKE02-36162 5001900 MA = 2Nm	
20	18	49	30	9	1,4	10	3	HMS90 XD10.020 Z03-M10	2256600	•		
25	21	54	32	9	1,4	12	3	HMS90 XD10.025 Z03-M12	2256700	•		
25	21	54	32	9	1,4	12	4	HMS90 XD10.025 Z04-M12	2256800	•		
32	29	66	43	9	1,4	16	3	HMS90 XD10.032 Z03-M16	2256900	•		
32	29	66	43	9	1,4	16	5	HMS90 XD10.032 Z05-M16	2257000	•		
40	29	66	43	9	1,4	16	6	HMS90 XD10.040 Z06-M16	2257100	•	Spann- schraube Fastening screw HKE02-36179 5002100 MA = 2Nm	

Torx-  
Schlüssel  
Torque  
wrench  
IP8  
5000800

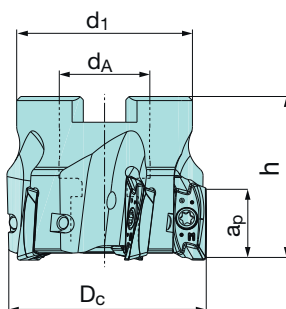
Bild & Zeichnung Image & Drawings	Artikelbezeichnung Item Code	Schneidstoffsorte Cutting materials	Bestell-Nr. Order No	Verfüg. Availability	Abmessungen [mm] Dimensions [mm]					
					l	d	s	d <sub>1</sub>	r	
	90° Insert									
	<ul style="list-style-type: none"> <li>■ XDMX 100404 TR-NR HAP25M 2172200 • 10 6,6 4,76 2,8 0,4</li> <li>■ XDMX 100404 TR-NR HAP35M 2172300 • 10 6,6 4,76 2,8 0,4</li> <li>■ XDMX 100404 TR-NN HAM35M 2172000 • 10 6,6 4,76 2,8 0,4</li> <li>■ XDMX 100404 TR-NN HAM40M 2172100 • 10 6,6 4,76 2,8 0,4</li> <li>■ XDHX 100404 GR-NP HAN10M 2201500 • 10 6,6 4,76 2,8 0,4</li> <li>■ XDHX 100404 GR-NP HXN10M 2201600 • 10 6,6 4,76 2,8 0,4</li> </ul>									
	<ul style="list-style-type: none"> <li>■ XDMX 100408 TR-NR HAP25M 2172700 • 10 6,6 4,76 2,8 0,8</li> <li>■ XDMX 100408 TR-NR HAP35M 2172800 • 10 6,6 4,76 2,8 0,8</li> <li>■ XDMX 100408 TR-NR HAP40M 2172900 • 10 6,6 4,76 2,8 0,8</li> <li>■ XDMX 100408 TR-NN HAM35M 2172500 • 10 6,6 4,76 2,8 0,8</li> <li>■ XDMX 100408 TR-NN HAM40M 2172600 • 10 6,6 4,76 2,8 0,8</li> <li>■ XDMX 100408 TR-NK HAK20M 2172400 • 10 6,6 4,76 2,8 0,8</li> <li>■ XDHX 100408 GR-NP HAN10M 2201700 • 10 6,6 4,76 2,8 0,8</li> <li>■ XDHX 100408 GR-NP HXN10M 2201800 • 10 6,6 4,76 2,8 0,8</li> <li>■ XDMX 100408 TR-NU HAS35M 2173000 • 10 6,6 4,76 2,8 0,8</li> <li>■ XDMX 100408 TR-NU HAS40M 2173100 ○ 10 6,6 4,76 2,8 0,8</li> </ul>									
	<ul style="list-style-type: none"> <li>■ XDMX 100420 TR-NR HAP25M 2174200 • 10 6,6 4,76 2,8 2,0</li> <li>■ XDMX 100420 TR-NR HAP35M 2174300 • 10 6,6 4,76 2,8 2,0</li> </ul>									
	<ul style="list-style-type: none"> <li>■ XDMX 100430 TR-NR HAP25M 2174400 • 10 6,6 4,76 2,8 3,0</li> <li>■ XDMX 100430 TR-NR HAP35M 2174500 • 10 6,6 4,76 2,8 3,0</li> </ul>									
	N = 2									
		HF Platten/HF insert								
		<ul style="list-style-type: none"> <li>■ XDMX 100415 TR-NRH HAP20M 2173800 • 1,5 6,6 4,76 2,8 1,5</li> <li>■ XDMX 100415 TR-NRH HAP25M 2173900 • 1,5 6,6 4,76 2,8 1,5</li> <li>■ XDMX 100415 TR-NRH HAP30M 2174000 • 1,5 6,6 4,76 2,8 1,5</li> <li>■ XDMX 100415 TR-NRH HAP35M 2174100 • 1,5 6,6 4,76 2,8 1,5</li> <li>■ XDMX 100415 TR-NNH HAM35M 2173600 • 1,5 6,6 4,76 2,8 1,5</li> <li>■ XDMX 100415 TR-NNH HAM40M 2173700 • 1,5 6,6 4,76 2,8 1,5</li> <li>■ XDMX 100415 TR-NKH HAK15M 2173400 • 1,5 6,6 4,76 2,8 1,5</li> <li>■ XDMX 100415 TR-NKH HAK20M 2173500 • 1,5 6,6 4,76 2,8 1,5</li> <li>■ XDMX 100415 TR-OHH HAH05M 2173200 • 1,5 6,6 4,76 2,8 1,5</li> <li>■ XDMX 100415 TR-OHH HAH10M 2173300 • 1,5 6,6 4,76 2,8 1,5</li> </ul>								
		N = 2								

Aufsteckfräser 90° / XD.. 18  
Face milling cutter 90° / XD.. 18



Abmessungen [mm] Dimensions [mm]						Artikelbezeichnung Item Code	Bestell-Nr. Order No	Verfüg. Availability	Ersatzteile Spare parts	
D <sub>C</sub>	d <sub>A</sub>	d <sub>1</sub>	h	ap/90	z					
40	16	35	40	17	4	HMF90 XD18.040 Z04	2235300	•	Spann- schraube Fastening screw HKE02-46211 5002300 MA = 3Nm	Torx- Schlüssel Torque wrench IP15 5001100
50	22	43	40	17	5	HMF90 XD18.050 Z05	2235400	•		
52	22	43	40	17	5	HMF90 XD18.052 Z05	2235500	○		
63	22	48	40	17	5	HMF90 XD18.063 Z05	2235600	•		
63	22	48	40	17	6	HMF90 XD18.063 Z06	2235700	○		
66	22	48	40	17	6	HMF90 XD18.066 Z06	2235800	○		
80	27	60	50	17	7	HMF90 XD18.080 Z07	2235900	•		
100	32	78	50	17	7	HMF90 XD18.100 Z07	2236000	•		
100	32	78	50	17	8	HMF90 XD18.100 Z08	2236100	•		
125	40	90	60	17	9	HMF90 XD18.125 Z09	2236200	•		
160	40	115	60	17	10	HMF90 XD18.160 Z10-NC	2236300	•		

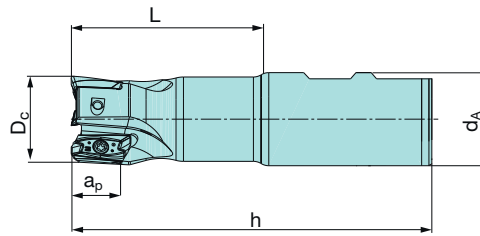
Aufsteckfräser 90° / XD.. 18 / INCH  
Face milling cutter 90° / XD.. 18 / INCH



Abmessungen [INCH] Dimensions [INCH]						Artikelbezeichnung Item Code	Bestell-Nr. Order No	Verfüg. Availability	Ersatzteile Spare parts	
D <sub>C</sub>	d <sub>A</sub>	d <sub>1</sub>	h	ap/90	z					
2.0	0.75	1.750	1.50	0.670	4	HMFU90 XD18.2000 Z04-INCH	2252100	○	Spann- schraube Fastening screw HKE02- 46211 5002300 MA = 3Nm	Torx- Schlüssel Torque wrench IP15 5001100
2.5	1.00	2.250	1.75	0.670	5	HMFU90 XD18.2500 Z05-INCH	2252200	○		
3.0	1.00	2.250	1.75	0.670	7	HMFU90 XD18.3000 Z07-INCH	2252300	○		
4.0	1.50	3.750	2.25	0.670	8	HMFU90 XD18.4000 Z08-INCH	2252400	○		
5.0	1.50	3.750	2.50	0.670	9	HMFU90 XD18.5000 Z09-INCH	2252500	○		

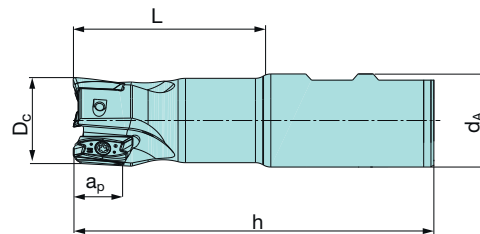
## 90P FEED

Schafffräser 90° / XD.. 18  
End milling cutter 90° / XD.. 18

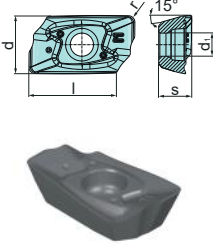


Abmessungen [mm] Dimensions [mm]						Artikelbezeichnung Item Code	Schaft Shank	Bestell-Nr. Order No	Verfüg. Availability	Ersatzteile Spare parts		
D <sub>C</sub>	d <sub>A</sub>	L	h	a <sub>p</sub>	z					Spann- schraube Fastening screw HKE02-46211 5002300 MA = 3Nm	Torx- Schlüssel Torque wrench IP15 5001100	
25	25	50	106	17	2	HME90 XD18.025 Z02	SW	2208300	•			
32	32	64	124	17	3	HME90 XD18.032 Z03	SW	2208400	•			
40	32	65	124	17	4	HME90 XD18.040 Z04	SW	2208500	•			




Schafffräser 90° / XD.. 18 / INCH  
End milling cutter 90° / XD.. 18 / INCH



Abmessungen [INCH] Dimensions [INCH]						Artikelbezeichnung Item Code	Schaft Shank	Bestell-Nr. Order No	Verfüg. Availability	Ersatzteile Spare parts		
D <sub>C</sub>	d <sub>A</sub>	L	h	a <sub>p</sub>	z					Spann- schraube Fastening screw HKE02- 46211 5002300 MA = 3Nm	Torx- Schlüssel Torque wrench IP15 5001100	
1.00	1.00	2.00	4.0	0.670	2	HMEU90 XD18.1000 Z02	SW	2217700	○			
1.25	1.00	2.25	4.0	0.670	3	HMEU90 XD18.1250 Z03	SW	2217800	○			
1.50	1.25	2.25	4.5	0.670	4	HMEU90 XD18.1500 Z04	SW	2217900	○			

Bild & Zeichnung Image & Drawings	Artikelbezeichnung Item Code	Schneidstoffsorte Cutting materials	Bestell-Nr. Order No	Verfüg. Availability	Abmessungen [mm] Dimensions [mm]					
					l	d	s	d <sub>1</sub>	r	
	90° Insert									
	■ XDMX 180508 TR-NR	HAP25M	2174900	•	18	9,65	5	4,15	0,8	
	■ XDMX 180508 TR-NR	HAP35M	2175000	•	18	9,65	5	4,15	0,8	
	■ XDMX 180508 TR-NR	HAP40M	2175100	•	18	9,65	5	4,15	0,8	
	■ XDMX 180508 TR-NN	HAM35M	2174700	•	18	9,65	5	4,15	0,8	
	■ XDMX 180508 TR-NN	HAM40M	2174800	•	18	9,65	5	4,15	0,8	
	■ XDMX 180508 TR-NK	HAK20M	2174600	•	18	9,65	5	4,15	0,8	
	■ XDGX 180508 GR-NP	HAN10M	2201300	•	18	9,65	5	4,15	0,8	
	■ XDGX 180508 GR-NP	HXN10M	2201400	•	18	9,65	5	4,15	0,8	
	■ XDMX 180512 TR-DP	HAP25M	2175500	•	18	9,65	5	4,15	1,2	
	■ XDMX 180512 TR-DP	HAP35M	2175600	•	18	9,65	5	4,15	1,2	
	■ XDMX 180512 TR-DP	HAP40M	2175700	•	18	9,65	5	4,15	1,2	
	■ XDMX 180512 TR-NN	HAM35M	2175200	•	18	9,65	5	4,15	1,2	
	■ XDMX 180512 TR-NN	HAM40M	2175300	•	18	9,65	5	4,15	1,2	
	■ XDMX 180512 TR-DK	HAK20M	2175400	•	18	9,65	5	4,15	1,2	
	■ XDMX 180516 TR-DP	HAP25M	2176000	•	18	9,65	5	4,15	1,6	
	■ XDMX 180516 TR-DP	HAP35M	2176100	•	18	9,65	5	4,15	1,6	
	■ XDMX 180516 TR-NN	HAM35M	2175800	•	18	9,65	5	4,15	1,6	
■ XDMX 180516 TR-NN	HAM40M	2175900	•	18	9,65	5	4,15	1,6		

N = 2

	Aufsteckfräser 90° Face milling cutter 90°	Schafffräser 90° End milling cutter 90°	Einschraubfräser 90° Screw on type 90°
Ausführung Execution			
Durchmesserbereich metrisch Diameter range metric	Ø 40 - 200 mm	Ø 16 - 35 mm	Ø 16 - 40 mm
Durchmesserbereich inch Diameter range inch	Ø 2" - 8"	Ø 3/4" - 1 1/4"	Ø 1"
Plattengröße Insert size	SD..10, SD..14, SD..18	SD..06, SD..10	SD..06, SD..10

**Einzigartige Eigenschaften: Fräsen HF**

- Höchste Produktivität dank multifunktionalem Werkzeugsystem
- 1 Grundkörper für 2 Bearbeitungsarten = multifunktional
- Vereinfachte Lagerhaltung und Werkzeugbeschaffung durch geringere Artikelanzahl
- 4 wirklich nutzbare Schneidkanten
- Glatte Schnitte auch bei Vollnut durch perfekt abgestimmte Fräsgemetrie
- Optimaler Verbrauch der axialen Schnittkräfte durch spezielle Auslegung der Radien an der Schneide
- Höchste Zahnvorschübe (bis fz = 3,0 mm mit SDMT 18)
- Schraubfräser in Kombination mit Vollhartmetall-Verlängerungen minimieren Vibrationen bei Überhängen bis 300 mm
- Hohe Zerspanvolumen auch bei kleinen Werkzeugdurchmessern.
- Hohe Zerspanungsvolumina auch bei kleinem Werkzeugdurchmesser

**Unique Characteristics: Milling HF**

- Tool system with multiple functions to achieve maximum productivity
- One basic body can perform 2 machining operations, making it multifunctional
- Reduction in storage and tool purchase due to fewer articles
- 4 genuinely useful cutting edges
- Produces a smooth cut even when milling on a full groove due to the perfectly coordinated milling geometry
- Optimal use of axial cutting forces due to a special layout of the radii on the cutting edge
- High tooth feed (up to fz = 3.0 mm with SDMT 18)
- Screw-on type milling cutter combined with solid carbide extensions reduces vibrations on overhangs up to 300 mm
- High cutting volume also achievable with small tool diameters.

**Einzigartige Eigenschaften: Fräsen 90°**

- Präzise 90°-Winkel auf allen 4 Schneidkanten bis zu einer Halbierung der Schneidenlänge, unabhängig vom Durchmesser.
- Die positive Basisgeometrie sorgt für einen glatten Schnitt.
- Eine ungleiche Verteilung reduziert Vibrationen und führt zu einem äußerst reibungslosen Betrieb.
- Eine hohe Metallentfernung pro Schneidkante führt zu einer maximalen Produktivitätssteigerung.
- Die spezielle Einsatzgeometrie gewährleistet eine nicht problematische Verschleißverhalten und stabilisiert die Schneide, was die Prozesssicherheit gewährleistet.

**Unique Characteristics: Milling 90°**

- Precise 90° angles on all 4 cutting edges for up to half the cutting edge length, regardless of diameter.
- Positive basic geometry ensures a smooth cut.
- Unequal distribution reduces vibrations and results in an extremely smooth operation.
- High metal removal per cutting edge leads to maximum productivity increase.
- Non-problematic wear behavior and a stabilized cutting edge are ensured by the special insert geometry, providing process security.



HF Hochvorschub Fräsparameter  
HF High feed cutting milling parameter

WSP Geometrie Insert geometry	SD.. 06		SD.. 10		SD.. 14		SD.. 18	
	Schnitttiefe Cutting depth [mm] a <sub>p</sub> max	Vorschub Feed [mm] f <sub>z</sub>	Schnitttiefe Cutting depth [mm] a <sub>p</sub> max	Vorschub Feed [mm] f <sub>z</sub>	Schnitttiefe Cutting depth [mm] a <sub>p</sub> max	Vorschub Feed [mm] f <sub>z</sub>	Schnitttiefe Cutting depth [mm] a <sub>p</sub> max	Vorschub Feed [mm] f <sub>z</sub>
NRH	0,3 <b>0,5</b> 1,0	0,4 <b>0,6</b> 1,1	0,5 <b>0,8</b> 1,3	0,6 <b>1,0</b> 1,4	0,6 <b>1,2</b> 2,2	0,7 <b>1,4</b> 2,2	1,0 <b>2,2</b> 3,2	1,2 <b>1,8</b> 2,8
NNH	0,3 <b>0,5</b> 1,0	0,3 <b>0,5</b> 1,0	0,5 <b>0,8</b> 1,3	0,5 <b>0,9</b> 1,4	0,6 <b>1,2</b> 2,2	0,8 <b>1,2</b> 2,2	1,0 <b>2,0</b> 3,0	1,0 <b>1,6</b> 2,5
NFH	0,3 <b>0,5</b> 1,0	0,3 <b>0,5</b> 0,9	0,5 <b>0,7</b> 1,2	0,5 <b>0,7</b> 1,2	0,6 <b>1,2</b> 2,0	0,6 <b>1,2</b> 2,2	1,0 <b>2,0</b> 3,0	1,0 <b>1,5</b> 2,5
NTH	-	-	0,5 <b>0,7</b> 1,2	0,5 <b>0,7</b> 1,2	-	-	-	-
NHH	0,3 <b>0,5</b> 1,0	0,4 <b>0,6</b> 1,1	-	-	0,4 <b>1,2</b> 2,2	0,4 <b>1,2</b> 2,2	-	-
DPH	-	-	0,5 <b>1,0</b> 1,5	0,7 <b>1,1</b> 1,6	0,7 <b>1,5</b> 2,4	0,8 <b>1,6</b> 2,4	1,0 <b>2,5</b> 3,5	1,4 <b>2,2</b> 3,0
DKH	-	-	0,5 <b>1,0</b> 1,5	0,7 <b>1,2</b> 1,6	0,7 <b>1,6</b> 2,4	0,8 <b>1,7</b> 2,4	1,0 <b>2,8</b> 3,5	1,4 <b>2,5</b> 3,0
DHH	-	-	0,4 <b>0,8</b> 1,2	0,4 <b>1,1</b> 1,6	0,5 <b>1,5</b> 2,4	0,5 <b>1,6</b> 2,4	1,0 <b>2,2</b> 3,5	0,8 <b>1,8</b> 2,8

90° Fräsparameter  
90° Milling parameter

WSP Geometrie Insert geometry	SD.. 10		SD.. 14	
	Schnitttiefe Cutting depth [mm] a <sub>p</sub> max	Vorschub Feed [mm] f <sub>z</sub>	Schnitttiefe Cutting depth [mm] a <sub>p</sub> max	Vorschub Feed [mm] f <sub>z</sub>
NR	0,8 <b>3,0</b> 9,0	0,10 <b>0,18</b> 0,23	1,2 <b>6,0</b> 12,5	0,1 <b>0,2</b> 0,25
NN	0,8 <b>3,0</b> 9,0	0,08 <b>0,14</b> 0,2	1,2 <b>6,0</b> 12,5	0,1 <b>0,15</b> 0,22
NK	0,8 <b>3,0</b> 9,0	0,10 <b>0,2</b> 0,26	1,2 <b>6,0</b> 12,5	0,1 <b>0,22</b> 0,28
NP	0,8 <b>5,0</b> 9,0	0,05 <b>0,12</b> 0,20	1,2 <b>8,0</b> 12,5	0,06 <b>0,14</b> 0,22

## 90P FEED

HF Eintauchwinkel  
HF Ramping angle

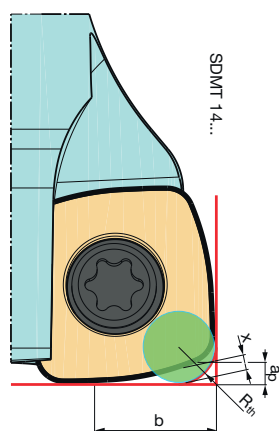


Durchmesser Fräser Diameter Milling cutter	Eintauchwinkel HF-Fräser <b>a max.</b> Ramping angle HF milling cutter <b>a max.</b> SD.. 06	Eintauchwinkel HF-Fräser <b>a max.</b> Ramping angle HF milling cutter <b>a max.</b> SD.. 10	Eintauchwinkel HF-Fräser <b>a max.</b> Ramping angle HF milling cutter <b>a max.</b> SD.. 14	Eintauchwinkel HF-Fräser <b>a max.</b> Ramping angle HF milling cutter <b>a max.</b> SD.. 18
Ø 16	9°	-	-	-
Ø 20	4,8°	-	-	-
Ø 25	3°	4,4°	-	-
Ø 32	2°	2,9°	-	-
Ø 35	1,7°	-	-	-
Ø 36	-	2,3°	-	-
Ø 40	-	2,0°	-	-
Ø 42	-	1,9°	-	-
Ø 50	-	1,5°	2,4°	-
Ø 52	-	1,3°	2,2°	-
Ø 63	-	1,1°	1,7°	3,0°
Ø 66	-	1,0°	1,5°	-
Ø 80	-	0,8°	1,3°	2,5°
Ø 100	-	0,7°	1,0°	2,0°
Ø 125	-	0,5°	0,7°	1,6°
Ø 160	-	-	-	1,3°
Ø 200	-	-	-	1,0°

90° Eintauchwinkel  
90° Ramping angle



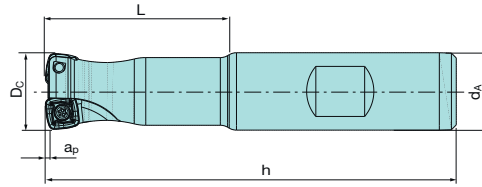
Durchmesser Fräser Diameter Milling cutter	Eintauchwinkel 90°-Fräser <b>a max.</b> Ramping angle 90° milling cutter <b>a max.</b> SD.. 10	Eintauchwinkel 90°-Fräser <b>a max.</b> Ramping angle 90° milling cutter <b>a max.</b> SD.. 14
Ø 25	7,0°	-
Ø 32	4,6°	-
Ø 36	4,0°	-
Ø 40	3,3°	-
Ø 42	3,0°	-
Ø 50	2,4°	5,5°
Ø 52	2,2°	5,3°
Ø 63	1,8°	3,7°
Ø 66	1,6°	3,4°
Ø 80	1,3°	2,6°
Ø 100	1,0°	1,9°
Ø 125	0,8°	1,5°
Ø 160	0,5°	-



Größe WSP Insert size	Abmessungen [mm] Dimensions [mm]		
	Rth	x	b
06	1,77	0,45	5,12
10	2,25	0,62	8,033
14	3,45	0,93	10,868
18	4,82	1,24	13,77

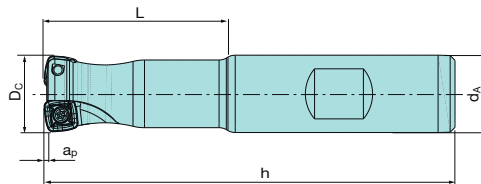
# 90P FEED

Schaftfräser 90° / SD.. 06  
End milling cutter 90° / SD.. 06



Abmessungen [mm] Dimensions [mm]						Artikelbezeichnung Item Code	Schaft Shank	Bestell-Nr. Order No	Verfüg. Availability	Ersatzteile Spare parts		
D <sub>C</sub>	d <sub>A</sub>	L	h	ap/HF	z					Spann- schraube Fastening screw HKE02-33163 5001800 MA = 1,2Nm	Torx- Schlüssel Torque wrench IP7 5000700	
16	16	37	85	1	2	HME90 SD06.016 Z02	SW	2210500	•			
20	20	40	90	1	3	HME90 SD06.020 Z03	SW	2210600	•			
25	25	50	106	1	4	HME90 SD06.025 Z04	SW	2210700	•			
32	32	64	124	1	5	HME90 SD06.032 Z05	SW	2210800	•			
35	32	64	124	1	5	HME90 SD06.035 Z05	SW	2210900	•			

Schaftfräser 90° / SD.. 06 / INCH  
End milling cutter 90° / SD.. 06 / INCH

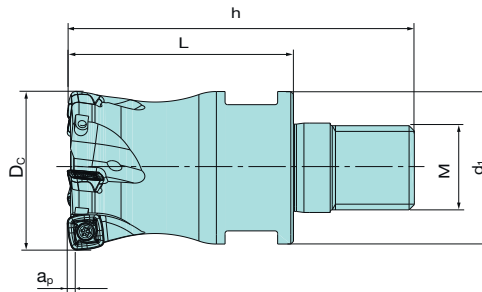


Abmessungen [INCH] Dimensions [INCH]						Artikelbezeichnung Item Code	Schaft Shank	Bestell-Nr. Order No	Verfüg. Availability	Ersatzteile Spare parts		
D <sub>C</sub>	d <sub>A</sub>	L	h	ap/HF	z					Spann- schraube Fastening screw HKE02-33163 5001800 MA = 1,2Nm	Torx- Schlüssel Torque wrench IP7 5000700	
0.75	0.75	1.5	3.375	0.039	3	HMEU90 SD06.0750 Z03	SW	2218000	○			
1.00	1.00	2	4	0.039	4	HMEU90 SD06.1000 Z04	SW	2218100	○			
1.25	1.00	2	4	0.039	5	HMEU90 SD06.1250 Z05	SW	2218200	○			

# 90P FEED

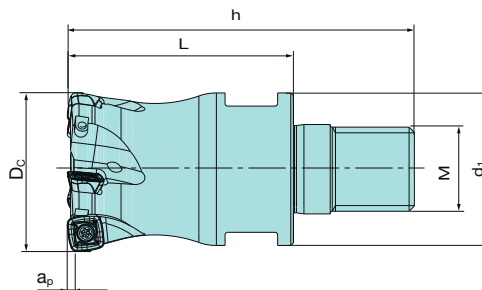


Einschraubfräser 90° / SD.. 06  
Screw on type 90° / SD.. 06

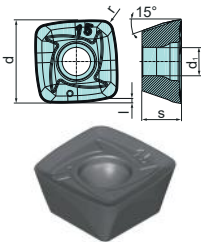


Abmessungen [mm] Dimensions [mm]							Artikelbezeichnung Item Code	Bestell-Nr. Order No	Verfüg. Availability	Ersatzteile Spare parts			
D <sub>C</sub>	d <sub>1</sub>	L	h	ap/HF	M	z				Spannschraube Fastening screw HKE02-33163 5001800 MA = 1,2Nm	Torx-Schlüssel Torque wrench IP7 5000700		
16	13,8	31	49	1	8	2	HMS90 SD06.016 Z02-M8	2257800	•				
20	18	29,8	48,8	1	10	3	HMS90 SD06.020 Z03-M10	2257900	•				
25	21	32	54	1	12	4	HMS90 SD06.025 Z04-M12	2258000	•				
32	29	43	66	1	16	5	HMS90 SD06.032 Z05-M16	2258100	•				
35	29	43	66	1	16	5	HMS90 SD06.035 Z05-M16	2258200	•				

Einschraubfräser 90° / SD.. 06 / INCH  
Screw on type 90° / SD.. 06 / INCH

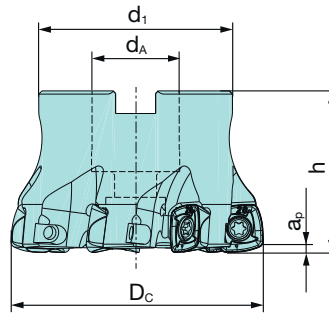


Abmessungen [INCH] Dimensions [INCH]							Artikelbezeichnung Item Code	Bestell-Nr. Order No	Verfüg. Availability	Ersatzteile Spare parts			
D <sub>C</sub>	d <sub>1</sub>	L	h	ap/HF	M	z				Spannschraube Fastening screw HKE02-33163 5001800 MA = 1,2Nm	Torx-Schlüssel Torque wrench IP7 5000700		
1.00	0.827	1.26	2.125	0.039	12	4	HMSU90 SD06.1000 Z04-M12INCH	2264300	o				

Bild & Zeichnung Image & Drawings	Artikelbezeichnung Item Code	Schneidstoffsorte Cutting materials	Bestell-Nr. Order No	Verfüg. Availability	Abmessungen [mm] Dimensions [mm]				
					l	d	s	d <sub>1</sub>	r
 <p>N = 4</p>	HF Platten/HF insert								
	■ SDMT 060212 NRH	HAP25M	2182000	•	1,0	6,75	2,5	2,5	1,2
	■ SDMT 060212 NNH	HAM35M	2181900	•	1,0	6,75	2,5	2,5	1,2
	■ SDMT 060212 NHH	HAH10M	2181700	•	1,0	6,75	2,5	2,5	1,2
	■ SDMT 060212 NHH	HAH30M	2181800	•	1,0	6,75	2,5	2,5	1,2
	■ SDMT 060212 NFH	HAS35M	2182100	○	1,0	6,75	2,5	2,5	1,2

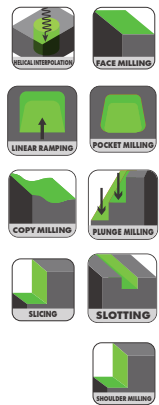
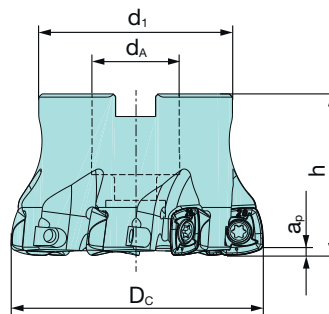
# 90P FEED

Aufsteckfräser 90° / SD.. 10  
Face milling cutter 90° / SD.. 10



Abmessungen [mm] Dimensions [mm]							Artikelbezeichnung Item Code	Bestell-Nr. Order No	Verfüg. Availability	Ersatzteile Spare parts		
DC	dA	d1	h	ap/90	ap/HF	z						
40	16	35	40	9	1,5	4	HMF90 SD10.040 Z04	2239800	•	Spann- schraube Fastening screw HKE02- 41194 5002200 MA = 2Nm	Torx- Schlüssel Torque wrench IP9 5000900	* Differentialschraube SD10 Centre screw SD 10 5005100
40	16	35	40	9	1,5	6	HMF90 SD10.040 Z06	2239900	•			
42	16	35	40	9	1,5	5	HMF90 SD10.042 Z05	2240000	○			
50	22	43	40	9	1,5	5	HMF90 SD10.050 Z05	2240100	•			
50	22	43	40	9	1,5	7	HMF90 SD10.050 Z07	2240200	•			
52	22	43	40	9	1,5	5	HMF90 SD10.052 Z05	2240300	•			
63	22	48	40	9	1,5	6	HMF90 SD10.063 Z06	2240400	•			
63	22	48	40	9	1,5	8	HMF90 SD10.063 Z08	2240500	•			
66	22	48	40	9	1,5	5	HMF90 SD10.066 Z05	2240600	○			
66	27	48	40	9	1,5	8	HMF90 SD10.066 Z08-DA27	2240700	○			
80	27	60	50	9	1,5	8	HMF90 SD10.080 Z08	2240800	•			

Aufsteckfräser 90° / SD.. 10 / INCH  
Face milling cutter 90° / SD.. 10 / INCH



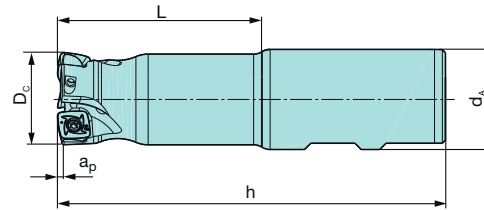
Abmessungen [INCH] Dimensions [INCH]							Artikelbezeichnung Item Code	Bestell-Nr. Order No	Verfüg. Availability	Ersatzteile Spare parts		
DC	dA	d1	h	ap/90	ap/HF	z						
2.0	0.75	1.750	1.50	0.354	0.059	5	HMFU90 SD10.2000 Z05-INCH	2252600	○	Spann- schraube Fastening screw HKE02- 41194 5002200 MA = 2Nm	Torx- Schlüssel Torque wrench IP9 5000900	
2.0	0.75	1.750	1.50	0.354	0.059	7	HMFU90 SD10.2000 Z07-INCH	2252700	○			
2.5	1.00	2.250	1.75	0.354	0.059	6	HMFU90 SD10.2500 Z06-INCH	2252800	○			
2.5	1.00	2.250	1.75	0.354	0.059	8	HMFU90 SD10.2500 Z08-INCH	2252900	○			



## 90P FEED

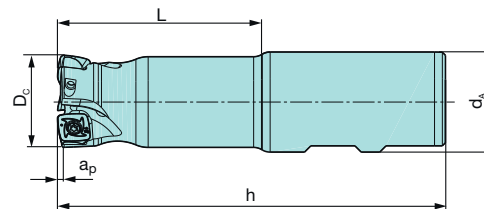
heikenei.com

Schaftfräser 90° / SD.. 10  
End milling cutter 90° / SD.. 10



Abmessungen [mm] Dimensions [mm]							Artikelbezeichnung Item Code	Schaft Shank	Bestell-Nr. Order No	Verfüg. Availability	Ersatzteile Spare parts			
D <sub>C</sub>	d <sub>A</sub>	L	h	ap/90	ap/HF	z					Spann- schraube Fastening screw HKE02-41194 5002200 MA = 2Nm	Torx- Schlüssel Torque wrench IP9 5000900		
25	25	50	106	9	1,5	2	HME90 SD10.025 Z02	SW	2211000	•				
25	25	50	106	9	1,5	3	HME90 SD10.025 Z03	SW	2211100	•				
32	32	64	124	9	1,5	3	HME90 SD10.032 Z03	SW	2211200	•				

Schaftfräser 90° / SD.. 10 / INCH  
End milling cutter 90° / SD.. 10 / INCH

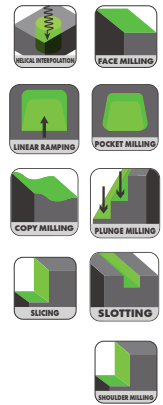
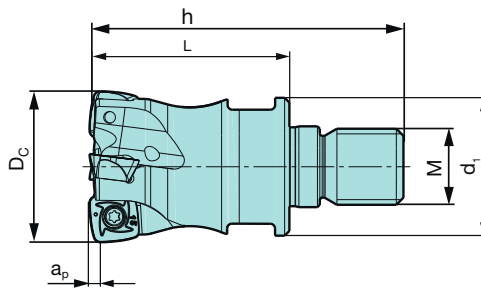


Abmessungen [INCH] Dimensions [INCH]						Artikelbezeichnung Item Code	Schaft Shank	Bestell-Nr. Order No	Verfüg. Availability	Ersatzteile Spare parts			
D <sub>C</sub>	d <sub>A</sub>	h	ap/90	ap/HF	z					Spann- schraube Fastening screw HKE02- 41194 5002200 MA = 2Nm	Torx- Schlüssel Torque wrench IP9 5000900		
1.00	1.00	4.0	0.354	0.059	2	HMEU90 SD10.1000 Z02-400	SW	2218300	○				
1.00	1.00	4.0	0.354	0.059	3	HMEU90 SD10.1000 Z03-400	SW	2218400	○				
1.25	1.25	5.0	0.354	0.059	3	HMEU90 SD10.1250 Z03-500	SW	2218500	○				
1.25	1.25	5.0	0.354	0.059	4	HMEU90 SD10.1250 Z04-500	SW	2218600	○				

# 90P FEED

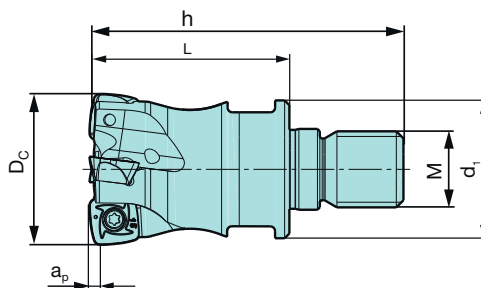


Einschraubfräser 90° / SD.. 10  
Screw on type 90° / SD.. 10



Abmessungen [mm] Dimensions [mm]								Artikelbezeichnung Item Code	Bestell-Nr. Order No	Verfüg. Availability	Ersatzteile Spare parts	
D <sub>C</sub>	d <sub>1</sub>	L	h	ap/90	ap/HF	M	z					
25	21	32	54	9	1,5	12	2	HMS90 SD10.025 Z02-M12	2258300	•	Spannschraube Fastening screw HKE02-41194 5002200 MA = 2Nm	Torx- Schlüssel Torque wrench IP9 5000900
25	21	32	54	9	1,5	12	3	HMS90 SD10.025 Z03-M12	2258400	•		
32	29	42	66	9	1,5	16	3	HMS90 SD10.032 Z03-M16	2258500	•		
32	29	42	66	9	1,5	16	4	HMS90 SD10.032 Z04-M16	2258600	•		
36	29	43	66	9	1,5	16	4	HMS90 SD10.036 Z04-M16	2258700	•		
40	29	42	66	9	1,5	16	4	HMS90 SD10.040 Z04-M16	2258800	•		
40	29	42	66	9	1,5	16	4	HMS90 SD10.040 Z06-M16	2258900	○		

Einschraubfräser 90° / SD.. 10 / INCH  
Screw on type 90° / SD.. 10 / INCH

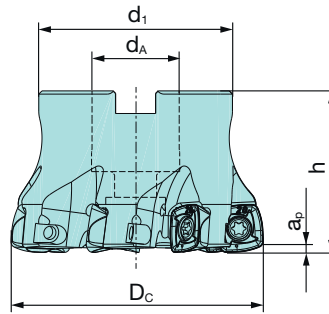


Abmessungen [INCH] Dimensions [INCH]								Artikelbezeichnung Item Code	Bestell-Nr. Order No	Verfüg. Availability	Ersatzteile Spare parts			
D <sub>C</sub>	d <sub>1</sub>	L	h	ap/90	ap/HF	M	z							
1.00	0.8	1.257	2.13	0.0354	0.059	12	3	HMSU90 SD10.1000 Z03-M12INCH	2264400	○	Spannschraube Fastening screw HKE02-41194 5002200 MA = 2Nm	Torx- Schlüssel Torque wrench IP9 5000900		

Bild & Zeichnung Image & Drawings	Artikelbezeichnung Item Code	Schneidstoffsorte Cutting materials	Bestell-Nr. Order No	Verfüg. Availability	Abmessungen [mm] Dimensions [mm]					
					l	d	s	d <sub>1</sub>	r	
	90° Insert									
	■ SDHT 100404 GR-NP	HAN10M	2201900	•	10,4	10,4	4,86	3,5	0,4	
	■ SDHT 100404 GR-NP	HXN10M	2202000	•	10,4	10,4	4,86	3,5	0,4	
	■ SDMT 100408 TR-NR	HAP25M	2182500	•	10,4	10,4	4,86	3,5	0,8	
	■ SDMT 100408 TR-NR	HAP35M	2182600	•	10,4	10,4	4,86	3,5	0,8	
	■ SDMT 100408 TR-NR	HAP40M	2182700	•	10,4	10,4	4,86	3,5	0,8	
	■ SDMT 100408 ER-NN	HAM35M	2182200	•	10,4	10,4	4,86	3,5	0,8	
	■ SDMT 100408 ER-NN	HAM40M	2182300	•	10,4	10,4	4,86	3,5	0,8	
	■ SDMT 100408 TR-NK	HAK20M	2182400	•	10,4	10,4	4,86	3,5	0,8	
	■ SDHT 100408 GR-NP	HAN10M	2202100	•	10,4	10,4	4,86	3,5	0,8	
	■ SDHT 100408 GR-NP	HXN10M	2202200	•	10,4	10,4	4,86	3,5	0,8	
	N = 4									
	HF Platten/HF inserts									
	■ SDMT 100415 TR-NRH	HAP20M	2183300	•	1,1	10,2	4,86	3,5	1,5	
	■ SDMT 100415 TR-NRH	HAP25M	2183400	•	1,1	10,2	4,86	3,5	1,5	
	■ SDMT 100415 TR-NRH	HAP30M	2183500	•	1,1	10,2	4,86	3,5	1,5	
	■ SDMT 100415 TR-NRH	HAP35M	2183600	•	1,1	10,2	4,86	3,5	1,5	
	■ SDMT 100415 ER-NNH	HAM35M	2182900	•	1,1	10,2	4,86	3,5	1,5	
	■ SDMT 100415 ER-NNH	HAM40M	2183000	•	1,1	10,2	4,86	3,5	1,5	
	■ SDGT 100415 TR-NTH	HAS35M	2181600	•	1,1	10,2	4,86	3,5	1,5	
	■ SDMT 100415 TR-NFH	HAS35M	2183700	•	1,1	10,2	4,86	3,5	1,5	
	■ SDMT 100415 TR-NFH	HAS40M	2183800	○	1,1	10,2	4,86	3,5	1,5	
	■ SDMT 100415 TR-OHH	HAH10M	2183100	•	1,1	10,2	4,86	3,5	1,5	
	■ SDMT 100415 TR-OHH	HAH30M	2183200	•	1,1	10,2	4,86	3,5	1,5	
N = 4										
	HF Platten/HF inserts									
	■ SDMW 100415 TR-DPH	HAP20M	2186500	•	1,1	10,2	4,86	3,5	1,5	
	■ SDMW 100415 TR-DPH	HAP25M	2186600	•	1,1	10,2	4,86	3,5	1,5	
	■ SDMW 100415 TR-DPH	HAP30M	2186700	•	1,1	10,2	4,86	3,5	1,5	
	■ SDMW 100415 TR-DPH	HAP35M	2186800	•	1,1	10,2	4,86	3,5	1,5	
	■ SDMW 100415 TR-DKH	HAK15M	2186300	•	1,1	10,2	4,86	3,5	1,5	
	■ SDMW 100415 TR-DKH	HAK20M	2186400	•	1,1	10,2	4,86	3,5	1,5	
	■ SDMW 100415 TR-DHH	HAH05M	2186000	•	1,1	10,2	4,86	3,5	1,5	
	■ SDMW 100415 TR-DHH	HAH10M	2186100	•	1,1	10,2	4,86	3,5	1,5	
	■ SDMW 100415 TR-DHH	HAH30M	2186200	•	1,1	10,2	4,86	3,5	1,5	
	N = 4									

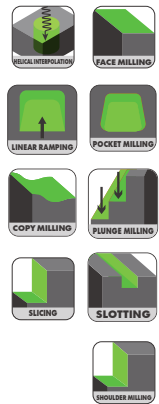
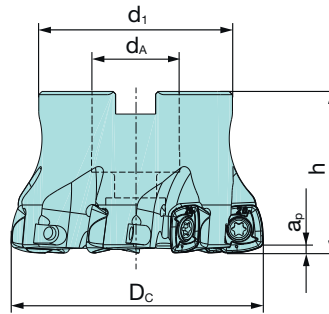
## 90P FEED

Aufsteckfräser 90° / SD.. 14  
Face milling cutter 90° / SD.. 14

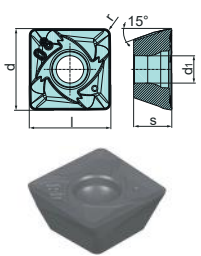
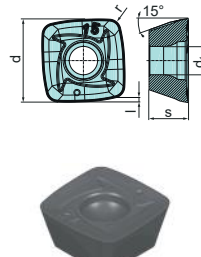


Abmessungen [mm] Dimensions [mm]							Artikelbezeichnung Item Code	Bestell-Nr. Order No	Verfüg. Availability	Ersatzteile Spare parts		
DC	dA	d1	h	ap/90	ap/HF	z				Spann- schraube Fastening screw HKE02- 61219 5002700 MA = 5 Nm	Torx- Schlüssel Torque wrench IP20 5001200	* Differenzialschraube SD14 Centre screw SD14 5005200
50	22	43	40	12	2,5	4	HMF90 SD14.050 Z04	2240900	•			
50	22	43	40	12	2,5	5	HMF90 SD14.050 Z05	2241000	•			
52	22	43	40	12	2,5	4	HMF90 SD14.052 Z04	2241100	•			
52	22	43	40	12	2,5	5	HMF90 SD14.052 Z05	2241200	•			
63	22	48	40	12	2,5	6	HMF90 SD14.063 Z06	2241300	•			
63	27	60	50	12	2,5	6	HMF90 SD14.063 Z06-DA27	2241400	•			
66	22	48	40	12	2,5	6	HMF90 SD14.066 Z06	2241500	•			
66	27	60	50	12	2,5	6	HMF90 SD14.066 Z06-DA27	2241600	•			
80	27	60	50	12	2,5	7	HMF90 SD14.080 Z07	2241700	•			
100	32	78	50	12	2,5	7	HMF90 SD14.100 Z07	2241900	•			
100	32	78	50	12	2,5	9	HMF90 SD14.100 Z09	2242000	•			
125	40	90	60	12	2,5	11	HMF90 SD14.125 Z11	2242100	•			
160	40	90	60	12	2,5	10	HMF90 SD14.160 Z10	2242200	•			

Aufsteckfräser 90° / SD.. 14 / INCH  
Face milling cutter 90° / SD.. 14 / INCH

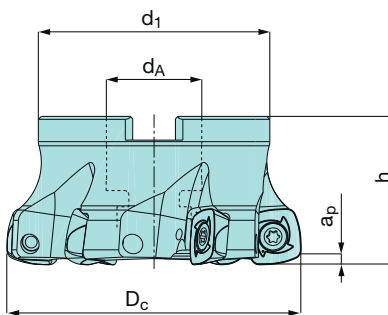


Abmessungen [INCH] Dimensions [INCH]							Artikelbezeichnung Item Code	Bestell-Nr. Order No	Verfüg. Availability	Ersatzteile Spare parts					
DC	dA	d1	h	ap/90	ap/HF	z				Spann- schraube Fastening screw HKE02- 61219 5002700 MA= 5 Nm	Torx- Schlüssel Torque wrench IP20 5001200				
2.0	0.75	1.75	1.50	0.492	0.137	4	HMFU90 SD14.2000 Z04-INCH	2253000	o						
2.0	0.75	1.75	1.50	0.492	0.137	5	HMFU90 SD14.2000 Z05-INCH	2253100	o						
2.5	1.00	2.25	1.75	0.492	0.137	6	HMFU90 SD14.2500 Z06-INCH	2253200	o						
3.0	1.00	2.25	2.00	0.492	0.137	5	HMFU90 SD14.3000 Z05-INCH	2253300	o						
3.0	1.00	2.25	2.00	0.492	0.137	7	HMFU90 SD14.3000 Z07-INCH	2253400	o						
4.0	1.50	3.75	2.25	0.492	0.137	7	HMFU90 SD14.4000 Z07-INCH	2253500	o						
4.0	1.50	3.75	2.25	0.492	0.137	9	HMFU90 SD14.4000 Z09-INCH	2253600	o						
5.0	1.50	3.75	2.50	0.492	0.137	9	HMFU90 SD14.5000 Z09-INCH	2253700	o						

Bild & Zeichnung Image & Drawings	Artikelbezeichnung Item Code	Schneidstoffsorte Cutting materials	Bestell-Nr. Order No	Verfüg. Availability	Abmessungen [mm] Dimensions [mm]					
					l	d	s	d <sub>1</sub>	r	
	90° Insert									
	■ SDHT 140508 GR-NP	HXN10M	2202600	•	14,8	14,8	5,2	5,5	0,8	
	■ SDHT 140508 GR-NP	HAN10M	2202500	•	14,8	14,8	5,2	5,5	0,8	
	■ SDMT 140512 TR-NR	HAP25M	2184200	•	14,8	14,8	5,2	5,5	1,2	
	■ SDMT 140512 TR-NR	HAP35M	2184300	•	14,8	14,8	5,2	5,5	1,2	
	■ SDMT 140512 TR-NR	HAP40M	2184400	•	14,8	14,8	5,2	5,5	1,2	
	■ SDMT 140512 ER-NN	HAM35M	2183900	•	14,8	14,8	5,2	5,5	1,2	
	■ SDMT 140512 ER-NN	HAM40M	2184000	•	14,8	14,8	5,2	5,5	1,2	
	■ SDMT 140512 TR-NK	HAK20M	2184100	•	14,8	14,8	5,2	5,5	1,2	
	■ SDHT 140512 GR-NP	HXN10M	2202800	•	14,8	14,8	5,2	5,5	1,2	
	■ SDHT 140512 GR-NP	HAN10M	2202700	•	14,8	14,8	5,2	5,5	1,2	
	N=4									
		HF Platten/HF inserts								
		■ SDMT 140520 TR-NRH	HAP20M	2184800	•	2,2	14,7	5	5,5	2
■ SDMT 140520 TR-NRH		HAP25M	2184900	•	2,2	14,7	5	5,5	2	
■ SDMT 140520 TR-NRH		HAP30M	2185000	•	2,2	14,7	5	5,5	2	
■ SDMT 140520 TR-NRH		HAP35M	2185100	•	2,2	14,7	5	5,5	2	
■ SDMT 140520 ER-NNH		HAM35M	2184500	•	2,2	14,7	5	5,5	2	
■ SDMT 140520 ER-NNH		HAM40M	2184600	•	2,2	14,7	5	5,5	2	
■ SDMT 140520 TR-NFH		HAS35M	2185200	•	2,2	14,7	5	5,5	2	
■ SDMT 140520 TR-NFH		HAS40M	2185300	○	2,2	14,7	5	5,5	2	
■ SDMT 140520 TR-OHH		HAH10M	2184700	•	2,2	14,7	5	5,5	2	
■ SDMW 140520 TR-DPH		HAP20M	2187400	•	2,2	14,7	5	5,5	2	
■ SDMW 140520 TR-DPH		HAP25M	2187500	•	2,2	14,7	5	5,5	2	
■ SDMW 140520 TR-DPH		HAP30M	2187600	•	2,2	14,7	5	5,5	2	
■ SDMW 140520 TR-DPH		HAP35M	2187700	•	2,2	14,7	5	5,5	2	
■ SDMW 140520 TR-DKH		HAK15M	2187200	•	2,2	14,7	5	5,5	2	
■ SDMW 140520 TR-DKH		HAK20M	2187300	•	2,2	14,7	5	5,5	2	
■ SDMW 140520 TR-DHH		HAH05M	2186900	•	2,2	14,7	5	5,5	2	
■ SDMW 140520 TR-DHH		HAH10M	2187000	•	2,2	14,7	5	5,5	2	
■ SDMW 140520 TR-DHH		HAH30M	2187100	•	2,2	14,7	5	5,5	2	
N=4										



# 90P FEED

Aufsteckfräser 90° / SD.. 18  
Face milling cutter 90° / SD.. 18



Abmessungen [mm] Dimensions [mm]						Artikelbezeichnung Item Code	Bestell-Nr. Order No	Verfüg. Availability	Ersatzteile Spare parts	
D <sub>C</sub>	d <sub>A</sub>	d <sub>1</sub>	h	ap/HF	z				Spannschraube Fastening screw HK02-71271 5001600 MA = 6Nm	Torx-Schlüssel Torque wrench T25 5000500
63	27	60	50	3,5	4	HMF90 SD18.063 Z04-DA27	2242300	○		
80	27	60	50	3,5	5	HMF90 SD18.080 Z05	2242400	●		
100	32	78	50	3,5	6	HMF90 SD18.100 Z06	2242500	●		
125	40	90	60	3,5	7	HMF90 SD18.125 Z07	2242600	●		
160	40	115	60	3,5	9	HMF90 SD18.160 Z09-NC	2242700	●		
200	60	140	65	3,5	11	HMF90 SD18.200 Z11-NC	2242800	●		

Bild & Zeichnung Image & Drawings	Artikelbezeichnung Item Code	Schneidstoffsorte Cutting materials	Bestell-Nr. Order No	Verfüg. Availability	Abmessungen [mm] Dimensions [mm]				
					l	d	s	d <sub>1</sub>	r
<p>N=4</p>	HF Platten/HF inserts								
	SDMT 180630 TR-NRH	HAP25M	2185700	●	3,0	18,7	6	6,5	3
	SDMT 180630 TR-NRH	HAP35M	2185800	●	3,0	18,7	6	6,5	3
	SDMT 180630 TR-NNH	HAM35M	2185500	●	3,0	18,7	6	6,5	3
	SDMT 180630 TR-NNH	HAM40M	2185600	●	3,0	18,7	6	6,5	3
	SDMT 180630 TR-NFH	HAS35M	2185900	○	3,0	18,7	6	6,5	3
	SDMT 180630 TR-OHH	HAH30M	2185400	○	3,0	18,7	6	6,5	3
	SDMW 180630 TR-DPH	HAP35M	2188100	●	3,0	18,7	6	6,5	3
	SDMW 180630 TR-DPH	HAP40M	2188200	●	3,0	18,7	6	6,5	3
	SDMW 180630 TR-DKH	HAK15M	2187900	●	3,0	18,7	6	6,5	3
	SDMW 180630 TR-DKH	HAK20M	2188000	●	3,0	18,7	6	6,5	3
	SDMW 180630 TR-DHH	HAH30M	2187800	●	3,0	18,7	6	6,5	3

Ausführung Execution	Aufsteckfräser 90° Face milling cutter 90°	
		
Durchmesserbereich metrisch Diameter range metric	Ø 40 - 160 mm	Ø 20 - 40 mm
Plattengröße Insert size	LN..10, LN..15	LN..10, LN..15

**Einzigartige Eigenschaften:**

- Stabile Werkzeugsysteme durch negative Geometrie-Basis-Design.
- Effektiver positiver Spanwinkel für einen glatten Schnitt.
- Produktivität durch 4 Schneidkanten garantiert.
- In 2 Einsteckgrößen erhältlich.
- Schafffräser in Überlänge erhältlich.

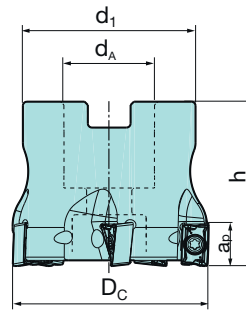
**Unique Characteristics:**

- Secure tool system with negative basic geometry design
- Smooth cutting facilitated by positive chip angle
- Maximum productivity ensured with 4 cutting edges
- Comes in 2 insert sizes
- Extra long end mills are available

WSP Geometrie Insert geometry	LNMX 10		LNMX 15	
	Schnitttiefe Cutting depth [mm] a <sub>p</sub> max	Vorschub Feed [mm] f <sub>z</sub>	Schnitttiefe Cutting depth [mm] a <sub>p</sub> max	Vorschub Feed [mm] f <sub>z</sub>
DP	1,0 <b>4,0</b> 9,0	0,2 <b>0,3</b> 0,4	1,0 <b>6,5</b> 14,0	0,2 <b>0,3</b> 0,4
GM	1,0 <b>4,0</b> 9,0	0,2 <b>0,2</b> 0,3	1,0 <b>6,5</b> 12,0	0,2 <b>0,2</b> 0,3
DK	1,0 <b>4,0</b> 9,0	0,2 <b>0,2</b> 0,3	1,0 <b>6,5</b> 14,0	0,2 <b>0,3</b> 0,4

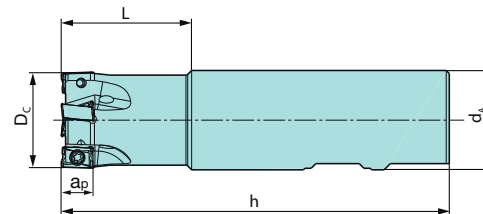


Aufsteckfräser 90° / LN.. 10  
Face milling cutter 90° / LN.. 10



Abmessungen [mm] Dimensions [mm]						Artikelbezeichnung Item Code	Bestell-Nr. Order No	Verfüg. Availability	Ersatzteile Spare parts			
DC	dA	d1	aP	h	z				Spann- schraube Fastening screw HK02-41187 5001500 MA = 2Nm	Torx- Schlüssel Torque wrench T9 5000300		
40	16	35	9	40	4	HMF90 LN10.040 Z04	2236400	•				
40	16	35	9	40	5	HMF90 LN10.040 Z05	2236500	•				
50	22	42	9	40	5	HMF90 LN10.050 Z05	2236600	•				
50	22	42	9	40	7	HMF90 LN10.050 Z07	2236700	•				
63	22	49	9	40	6	HMF90 LN10.063 Z06	2236800	•				
63	22	49	9	40	8	HMF90 LN10.063 Z08	2236900	•				

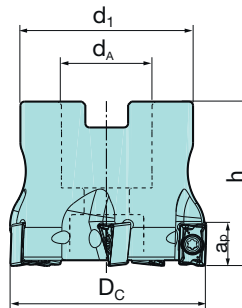
Schafffräser 90° / LN.. 10  
End milling cutter 90° / LN.. 10



Abmessungen [mm] Dimensions [mm]						Artikelbezeichnung Item Code	Schaft Shank	Bestell-Nr. Order No	Verfüg. Availability	Ersatzteile Spare parts			
DC	dA	h	aP	L	z					Spann- schraube Fastening screw HK02-41187 5001500 MA = 2Nm	Torx- Schlüssel Torque wrench T9 5000300		
20	20	100	9	30	2	HME90 LN10.020 Z02	SW	2208600	•				
20	20	150	9	30	2	HME90 LN10.020 Z02-150	SS	2208700	•				
20	20	100	9	30	3	HME90 LN10.020 Z03	SW	2208800	•				
25	25	115	9	35	2	HME90 LN10.025 Z02	SW	2208900	•				
25	25	150	9	35	2	HME90 LN10.025 Z02-150	SS	2209000	•				
25	25	115	9	35	3	HME90 LN10.025 Z03	SW	2209100	•				
32	32	125	9	42	3	HME90 LN10.032 Z03	SW	2209200	•				
32	32	180	9	42	3	HME90 LN10.032 Z03-180	SS	2209300	•				
32	32	125	9	42	4	HME90 LN10.032 Z04	SW	2209400	•				
40	32	130	9	42	4	HME90 LN10.040 Z04	SW	2209500	•				
40	32	130	9	42	5	HME90 LN10.040 Z05	SW	2209600	•				

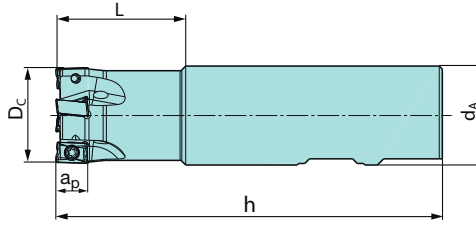
Bild & Zeichnung Image & Drawings	Artikelbezeichnung Item Code	Schneidstoffsorte Cutting materials	Bestell-Nr. Order No	Verfüg. Availability	Abmessungen [mm] Dimensions [mm]				
					l	d	s	d <sub>1</sub>	r
<p>N = 4</p>	LNMX 100605 TR-DP	HAP25M	2136100	•	10	6,6	6,35	2,8	0,5
	LNMX 100605 TR-DP	HAP35M	2136200	•	10	6,6	6,35	2,8	0,5
	LNMX 100605 TR-DP	HAP40M	2136300	•	10	6,6	6,35	2,8	0,5
	LNMX 100605 TR-DN	HAM40M	2136000	•	10	6,6	6,35	2,8	0,5
	LNMX 100605 TR-DK	HAK15M	2135800	•	10	6,6	6,35	2,8	0,5
	LNMX 100605 TR-DK	HAK20M	2135900	•	10	6,6	6,35	2,8	0,5

Aufsteckfräser 90° / LN.. 15  
Face milling cutter 90° / LN.. 15




Abmessungen [mm] Dimensions [mm]						Artikelbezeichnung Item Code	Bestell-Nr. Order No	Verfüg. Availability	Ersatzteile Spare parts			
D <sub>C</sub>	d <sub>A</sub>	d <sub>1</sub>	h	a <sub>p</sub>	z				Spannschraube Fastening screw HKE13-51221 5004000 MA = 3Nm	Torx-Schlüssel Torque wrench IP15 5001100		
50	22	42	40	14	3	HMF90 LN15.050 Z03	2238600	•				
50	22	42	40	14	4	HMF90 LN15.050 Z04	2238700	•				
63	22	49	40	14	4	HMF90 LN15.063 Z04	2238800	•				
63	22	49	40	14	6	HMF90 LN15.063 Z06	2238900	•				
80	27	60	50	14	5	HMF90 LN15.080 Z05	2239000	•				
80	27	60	50	14	7	HMF90 LN15.080 Z07	2239100	•				
100	32	60	50	14	8	HMF90 LN15.100 Z08	2239200	•				
125	40	90	63	14	10	HMF90 LN15.125 Z10	2239300	•				
160	40	115	63	14	11	HMF90 LN15.160 Z11	2239400	•				

Schafffräser 90° / LN.. 15  
End milling cutter 90° / LN.. 15



Abmessungen [mm] Dimensions [mm]						Artikelbezeichnung Item Code	Schaft Shank	Bestell-Nr. Order No	Verfüg. Availability	Ersatzteile Spare parts	
D <sub>C</sub>	d <sub>A</sub>	h	a <sub>p</sub>	L	z						
32	32	125	14	40	3	HME90 LN15.032 Z03	SW	2209700	•	Spann- schraube Fastening screw HKE13-51221 5004000 MA = 3Nm	Torx- Schlüssel Torque wrench IP15 5001100
40	32	130	14	40	3	HME90 LN15.040 Z03	SW	2209800	•		
40	32	130	14	40	4	HME90 LN15.040 Z04	SW	2209900	•		

Bild & Zeichnung Image & Drawings	Artikelbezeichnung Item Code	Schneidstoffsorte Cutting materials	Bestell-Nr. Order No	Verfüg. Availability	Abmessungen [mm] Dimensions [mm]				
					l	d	s	d <sub>1</sub>	r
<p>N = 4</p>	■ LNMX 151008 TR-DP	HAP25M	2136700	•	15	9,52	10,0	4,5	0,8
	■ LNMX 151008 TR-DP	HAP35M	2136800	•	15	9,52	10,0	4,5	0,8
	■ LNMX 151008 TR-DP	HAP40M	2136900	•	15	9,52	10,0	4,5	0,8
	■ LNMX 151008 TR-DN	HAM40M	2136600	•	15	9,52	10,0	4,5	0,8
	■ LNMX 151008 TR-DK	HAK15M	2136400	•	15	9,52	10,0	4,5	0,8
	■ LNMX 151008 TR-DK	HAK20M	2136500	•	15	9,52	10,0	4,5	0,8

Ausführung Execution	Aufsteckfräser 90° Face milling cutter 90°
	
Durchmesserbereich metrisch Diameter range metric	Ø 50 - 315 mm
Plattengröße Insert size	LN..13

**Einzigartige Eigenschaften:**

- Platten tangential spannen resultiert in einem sehr stabilen Werkzeugsystem.
- Produktivität wird durch 4 Schneidkanten garantiert.
- Hohe Bearbeitungssicherheit durch dicke tangential Fräseinsätze.
- Glatte Schnittführung durch Schneidkanten-Helixgeometrie.

**Unique Characteristics:**

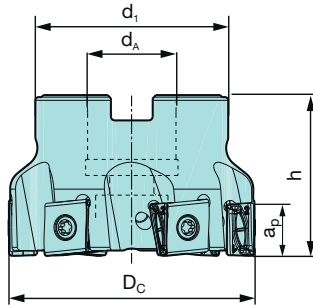
- A very stable tool system results from the tangential clamping of the inserts.
- Productivity is guaranteed with 4 cutting edges.
- Thick tangential milling insert ensures high machining security.
- The cutting edges' helix geometry ensures a smooth cut.

WSP Geometrie Insert geometry	LNMX 13	
	Schnitttiefe Cutting depth [mm] a <sub>p</sub> max	Vorschub Feed [mm] f <sub>z</sub>
NR	1,0 <b>6,5</b> 12,0	0,2 <b>0,2</b> 0,4
NN	1,0 <b>6,5</b> 12,0	0,2 <b>0,2</b> 0,4
DP	1,0 <b>6,5</b> 12,0	0,2 <b>0,3</b> 0,5
DK	1,0 <b>6,5</b> 12,0	0,3 <b>0,4</b> 0,6

# 90N SIDECUT



Aufsteckfräser 90° / LN.. 13  
Face milling cutter 90° / LN.. 13



Abmessungen [mm] Dimensions [mm]						Artikelbezeichnung Item Code	Bestell-Nr. Order No	Verfüg. Availability	Ersatzteile Spare parts			
Dc	dA	d1	h	αp	z				Spann- schraube Fastening screw HKE02-51165 5002400 MA= 3Nm	Torx- Schlüssel Torque wrench IP15 5001100		
50	22	40	40	12	4	HMF90 LN13.050 Z04	2237000	•				
50	22	40	40	12	5	HMF90 LN13.050 Z05	2237100	○				
63	22	48	40	12	4	HMF90 LN13.063 Z04	2237200	•				
63	22	48	40	12	6	HMF90 LN13.063 Z06	2237300	•				
63	22	48	40	12	8	HMF90 LN13.063 Z08	2237400	○				
80	27	58	50	12	5	HMF90 LN13.080 Z05	2237500	○				
80	27	58	50	12	7	HMF90 LN13.080 Z07	2237600	•				
80	27	58	50	12	10	HMF90 LN13.080 Z10	2237700	○				
100	32	78	50	12	8	HMF90 LN13.100 Z08	2237800	•				
100	32	78	50	12	13	HMF90 LN13.100 Z13	2237900	○				
125	40	90	63	12	9	HMF90 LN13.125 Z09	2238000	•				
125	40	90	63	12	11	HMF90 LN13.125 Z11	2238100	○				
160	40	90	63	12	10	HMF90 LN13.160 Z10-NC	2238200	•				
200	60	140	75	12	14	HMF90 LN13.200 Z14-NC	2238300	○				
250	60	190	75	12	16	HMF90 LN13.250 Z16-NC	2238400	○				
315	60	255	75	12	18	HMF90 LN13.315 Z18-NC	2238500	○				

Bild & Zeichnung Image & Drawings	Artikelbezeichnung Item Code	Schneidstoffsorte Cutting materials	Bestell-Nr. Order No	Verfüg. Availability	Abmessungen [mm] Dimensions [mm]				
					l	d	s	d1	r
  N = 4	■ LNMX 131308 TR-NR	HAP25M	2176500	•	13	7	13	4,6	0,8
	■ LNMX 131308 TR-NR	HAP35M	2176600	•	13	7	13	4,6	0,8
	■ LNMX 131308 TR-NN	HAM40M	2176400	•	13	7	13	4,6	0,8
	■ LNMX 131308 TR-DP	HAP30M	2176900	•	13	7	13	4,6	0,8
	■ LNMX 131308 TR-DP	HAP35M	2177000	•	13	7	13	4,6	0,8
	■ LNMX 131308 TR-DP	HAP40M	2177100	•	13	7	13	4,6	0,8
	■ LNMX 131308 TR-DK	HAK15M	2176700	•	13	7	13	4,6	0,8
	■ LNMX 131308 TR-DK	HAK20M	2176800	•	13	7	13	4,6	0,8

	Aufsteckfräser 90° Face milling cutter 90°	Schafffräser 90° End milling cutter 90°
Ausführung Execution		
Durchmesserbereich metrisch Diameter range metric	Ø 32 - 160 mm	Ø 20 - 32 mm
Durchmesserbereich inch Diameter range inch	Ø 2" - 6"	-
Plattengröße Insert size	WN.. 04, WN.. 08	WN.. 04

**Einzigartige Eigenschaften:**

- Stabiles Werkzeugsystem durch Grunddesign mit negativer Geometrie, dadurch Prozesssicherheit beim Schruppen.
- 6 Schneidkanten für höhere Produktivität beim Planschruppen.
- Effektiver positiver Spanwinkel für glatten Schnitt.
- Höchste Effizienz pro Schneidkante.

**Unique Characteristics:**

- A secure tool system achieved through the basic design of negative geometry
- Ensuring process security during roughing operations
- Six cutting edges for increased productivity during 90° face milling
- Effective positive chip angle for a smooth cutting process
- Maximum efficiency per cutting edge

WSP Geometrie Insert geometry	WNES 04		WNES 08	
	Schnitttiefe Cutting depth [mm] a <sub>p</sub> max	Vorschub Feed [mm] f <sub>z</sub>	Schnitttiefe Cutting depth [mm] a <sub>p</sub> max	Vorschub Feed [mm] f <sub>z</sub>
NR	0,4 <b>2,0</b> 4,0	0,1 <b>0,2</b> 0,3	-	-
NN	0,4 <b>2,0</b> 4,0	0,1 <b>0,18</b> 0,2	-	-
NK	0,4 <b>2,0</b> 4,0	0,1 <b>0,2</b> 0,3	-	-
NP	-	-	1,0 <b>4,0</b> 7,0	0,2 <b>0,3</b> 0,4
NH	0,4 <b>2,0</b> 4,0	0,08 <b>0,15</b> 0,18	0,8 <b>4,0</b> 7,0	0,15 <b>0,18</b> 0,23
DP	-	-	1,0 <b>4,0</b> 7,0	0,2 <b>0,2</b> 0,3
DN	-	-	1,0 <b>4,0</b> 7,0	0,2 <b>0,2</b> 0,3
DK	-	-	1,0 <b>4,0</b> 7,0	0,2 <b>0,3</b> 0,4

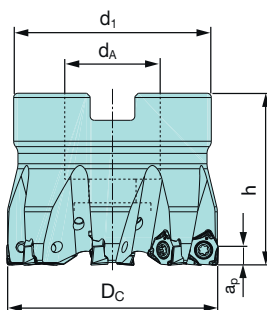
**90° Eintauchwinkel  
90° Ramping angle**



Durchmesser Fräser Diameter Milling cutter	Eintauchwinkel 90°-Fräser max. a Ramping angle 90° milling cutter a max. WNES 08
Ø 40	0,50°
Ø 50	0,46°
Ø 63	0,36°
Ø 80	0,23°
Ø 100	0,17°
Ø 125	0,12°
Ø 160	0,07°

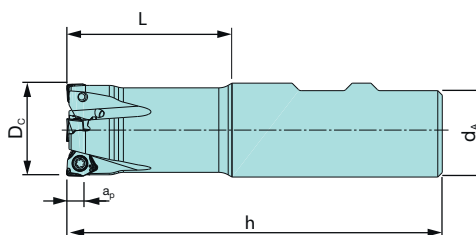
# 90N LARCUT

Aufsteckfräser 90° / WN.. 04  
Face milling cutter 90° / WN.. 04



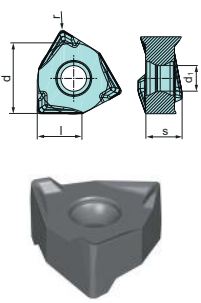
Abmessungen [mm] Dimensions [mm]						Artikelbezeichnung Item Code	Bestell-Nr. Order No	Verfüg. Availability	Ersatzteile Spare parts	
Dc	dA	d1	h	ap	z					
32	16	30	40	4	6	HMF90 WN04.032 Z06	2243300	•	Spann- schraube Fastening screw HKE02-36175 5002000 MA = 1,5Nm	Torx- Schlüssel Torque wrench IP7 5000700
40	16	36	40	4	6	HMF90 WN04.040 Z06	2243400	•		
50	22	46	40	4	8	HMF90 WN04.050 Z08	2243500	•		
63	22	48	40	4	9	HMF90 WN04.063 Z09	2243600	•		

Schafffräser 90° / WN.. 04  
End milling cutter 90° / WN.. 04



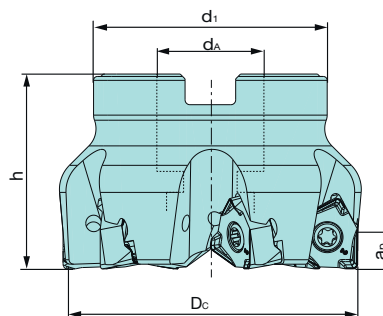
Abmessungen [mm] Dimensions [mm]						Artikelbezeichnung Item Code	Schaft Shank	Bestell-Nr. Ordering- No	Verfüg. Availability	Ersatzteile Spare parts	
Dc	dA	L	h	ap	z						
20	20	40	90	4	3	HME90 WN04.020 Z03	SW	2211300	•	Spann- schraube Fastening screw HKE02- 36175 5002000 MA = 1,5Nm	Torx- Schlüssel Torque wrench IP7 5000700
25	25	44	100	4	4	HME90 WN04.025 Z04	SW	2211400	•		
32	32	50	110	4	5	HME90 WN04.032 Z05	SW	2211500	•		



Bild & Zeichnung Image & Drawings	Artikelbezeichnung Item Code	Schneidstoffsorte Cutting materials	Bestell-Nr. Order No	Verfüg. Availability	Abmessungen [mm] Dimensions [mm]				
					l	d	s	d <sub>1</sub>	r
	■ WNES 040304 NR	HAP20M	2196300	●	4	6,7	3,97	3,2	0,4
	■ WNES 040304 NR	HAP25M	2196400	●	4	6,7	3,97	3,2	0,4
	■ WNES 040304 NR	HAP30M	2196500	●	4	6,7	3,97	3,2	0,4
	■ WNES 040304 NR	HAP35M	2196600	●	4	6,7	3,97	3,2	0,4
	■ WNES 040304 NN	HAM35M	2196100	●	4	6,7	3,97	3,2	0,4
	■ WNES 040304 NN	HAM40M	2196200	●	4	6,7	3,97	3,2	0,4
	■ WNES 040304 NL	HAK15M	2195900	●	4	6,7	3,97	3,2	0,4
	■ WNES 040304 NL	HAK20M	2196000	●	4	6,7	3,97	3,2	0,4
	■ WNES 040304 NH	HAH05M	2195700	●	4	6,7	3,97	3,2	0,4
	■ WNES 040304 NH	HAH10M	2195800	●	4	6,7	3,97	3,2	0,4
	■ WNES 040308 NR	HAP25M	2197100	○	4	6,7	3,97	3,2	0,8
	■ WNES 040308 NR	HAP35M	2197200	●	4	6,7	3,97	3,2	0,8
	■ WNES 040308 NN	HAM35M	2196900	○	4	6,7	3,97	3,2	0,8
	■ WNES 040308 NN	HAM40M	2197000	●	4	6,7	3,97	3,2	0,8
	■ WNES 040308 NL	HAK20M	2196800	●	4	6,7	3,97	3,2	0,8
	■ WNES 040308 NH	HAH10M	2196700	●	4	6,7	3,97	3,2	0,8

N = 6

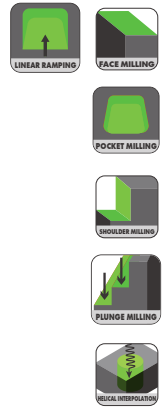
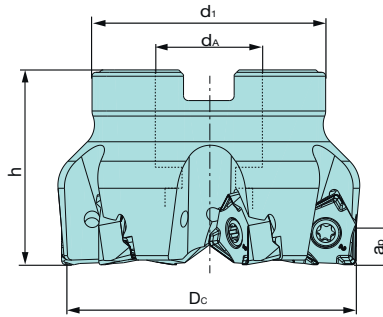
Aufsteckfräser 90° / WN.. 08  
Face milling cutter 90° / WN.. 08



Abmessungen [mm] Dimensions [mm]						Artikelbezeichnung Item Code	Bestell-Nr. Order No	Verfüg. Availability	Ersatzteile Spare parts			
Dc	dA	d1	h	ap	z				Spannschraube Fastening screw HKE02-51165 5002400 MA = 3Nm	Torx-Schlüssel Torque wrench IP15 5001100		
40	16	36	40	7	3	HMF90 WN08.040 Z03	2243700	○				
50	22	46	40	7	4	HMF90 WN08.050 Z04	2243800	○				
50	22	46	40	7	5	HMF90 WN08.050 Z05	2243900	●				
63	22	47	40	7	6	HMF90 WN08.063 Z06	2244000	●				
63	22	47	40	7	7	HMF90 WN08.063 Z07	2244100	○				
80	27	62	50	7	7	HMF90 WN08.080 Z07	2244200	●				
80	27	62	50	7	9	HMF90 WN08.080 Z09	2244300	○				
100	32	78	50	7	8	HMF90 WN08.100 Z08	2244400	●				
100	32	78	50	7	10	HMF90 WN08.100 Z10	2244500	○				
125	40	90	63	7	10	HMF90 WN08.125 Z10	2244600	●				
125	40	90	63	7	11	HMF90 WN08.125 Z11	2244700	○				
160	40	90	63	7	11	HMF90 WN08.160 Z11	2244800	●				
160	40	90	63	7	12	HMF90 WN08.160 Z12	2244900	○				

# 90N LARCUT


Aufsteckfräser 90° / WN.. 08 / INCH  
Face milling cutter 90° / WN.. 08 / INCH



Abmessungen [INCH] Dimensions [INCH]						Artikelbezeichnung Item Code	Bestell-Nr. Order No	Verfüg. Availability	Ersatzteile Spare parts		
Dc	dA	d1	h	ap	z				Spann- schraube Fastening screw HKE02-51165 5002400 MA = 3Nm	Torx- Schlüssel Torque wrench IP15 5001100	
2.0	0.75	1.75	1.50	0.158	5	HMFU90 WN08.2000 Z05-INCH	2253800	o			
2.5	1.00	2.25	1.75	0.158	6	HMFU90 WN08.2500 Z06-INCH	2253900	o			
3.0	1.00	2.25	1.75	0.158	7	HMFU90 WN08.3000 Z07-INCH	2254000	o			
4.0	1.50	3.75	2.25	0.158	8	HMFU90 WN08.4000 Z08-INCH	2254100	o			
5.0	1.50	3.75	2.50	0.158	10	HMFU90 WN08.5000 Z10-INCH	2254200	o			
6.0	1.50	3.75	2.50	0.158	11	HMFU90 WN08.6000 Z11-INCH	2254300	o			

Bild & Zeichnung Image & Drawings	Artikelbezeichnung Item Code	Schneidstoffsorte Cutting materials	Bestell-Nr. Order No	Verfüg. Availability	Abmessungen [mm] Dimensions [mm]					
					l	d	s	d1	r	
	WNES 080608 GP	HAP20M	2197900	•	8	12,7	6,55	4,6	0,8	
	WNES 080608 GP	HAP25M	2198000	•	8	12,7	6,55	4,6	0,8	
	WNES 080608 GP	HAP30M	2198100	•	8	12,7	6,55	4,6	0,8	
	WNES 080608 GP	HAP35M	2198200	•	8	12,7	6,55	4,6	0,8	
	WNES 080608 GP	HAP40M	2198300	•	8	12,7	6,55	4,6	0,8	
	WNES 080608 GM	HAM35M	2197700	•	8	12,7	6,55	4,6	0,8	
	WNES 080608 GM	HAM40M	2197800	•	8	12,7	6,55	4,6	0,8	
	WNES 080608 GT	HAK15M	2197500	•	8	12,7	6,55	4,6	0,8	
	WNES 080608 GT	HAK20M	2197600	•	8	12,7	6,55	4,6	0,8	
	WNES 080608 NP	HANI10M	2203800	•	8	12,7	6,55	4,6	0,8	
	WNES 080608 NP	HXN10M	2203900	•	8	12,7	6,55	4,6	0,8	
	WNES 080608 NH	HAH05M	2197300	•	8	12,7	6,55	4,6	0,8	
	WNES 080608 NH	HAH10M	2197400	•	8	12,7	6,55	4,6	0,8	
		WNES 080612 GP	HAP25M	2198800	o	8	12,7	6,55	4,6	1,2
		WNES 080612 GP	HAP35M	2198900	•	8	12,7	6,55	4,6	1,2
		WNES 080612 GM	HAM35M	2198600	o	8	12,7	6,55	4,6	1,2
		WNES 080612 GM	HAM40M	2198700	•	8	12,7	6,55	4,6	1,2
		WNES 080612 GT	HAK20M	2198500	•	8	12,7	6,55	4,6	1,2
		WNES 080612 NH	HAH10M	2198400	o	8	12,7	6,55	4,6	1,2

N = 6

Ausführung Execution	Aufsteckfräser 90° Face milling cutter 90°
	
Durchmesserbereich metrisch Diameter range metric	Ø 50 - 250 mm
Plattengröße Insert size	SN.. 12

**Einzigartige Eigenschaften:**

- Stabiles Kantennutenfräsen (Roughing)
- Anschnittwinkel 88° mit 8 Schneiden
- 0,8 oder 1,2 Eckradius verfügbar
- Schmale und sehr schmale Teilung der Werkzeuge
- Ab Durchmesser 160 keine Innenkühlung

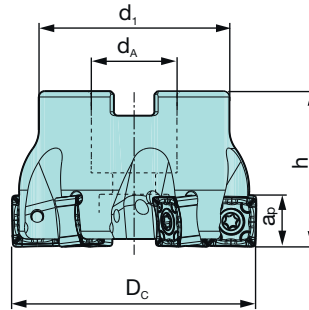
**Unique Characteristics:**

- Stable edge milling for roughing operations.
- Approach angle of 88° with 8 cutting edges.
- Available with corner radii of 0.8 or 1.2.
- Tools are available in narrow and very narrow divisions.
- No internal coolant supply for diameters over 160.

WSP Geometrie Insert geometry	SN.. 12	
	Schnitttiefe Cutting depth [mm] a <sub>p</sub> max	Vorschub Feed [mm] f <sub>z</sub>
NR	1,0 <b>5,0</b> 10,0	0,1 <b>0,2</b> 0,25
NN	1,0 <b>5,0</b> 10,0	0,1 <b>0,18</b> 0,22
NK	1,0 <b>5,0</b> 10,0	0,1 <b>0,2</b> 0,25

# 88N FACECUT

Aufsteckfräser 88° / SN.. 12  
Face milling cutter 88° / SN.. 12



Abmessungen [mm] Dimensions [mm]						Artikelbezeichnung Item Code	Bestell-Nr. Order No	Verfüg. Availability	Ersatzteile Spare parts			
Dc	dA	d1	h	ap	z				Spannschraube Fastening screw HKE06-51226 5002800 MA = 5Nm	Torx- Schlüssel Torque wrench IP20 5001200		
50	22	42	40	10	4	HMF88 SN12.050 Z04	2232000	o				
63	22	49	40	10	6	HMF88 SN12.063 Z06	2232100	o				
63	27	58	50	10	6	HMF88 SN12.063 Z06-DA27	2232200	o				
80	27	60	50	10	7	HMF88 SN12.080 Z07	2232300	o				
80	27	60	50	10	9	HMF88 SN12.080 Z09	2232400	o				
100	32	80	50	10	8	HMF88 SN12.100 Z08	2232500	o				
100	32	80	50	10	11	HMF88 SN12.100 Z11	2232600	o				
125	40	95	63	10	10	HMF88 SN12.125 Z10	2232700	o				
125	40	95	63	10	14	HMF88 SN12.125 Z14	2232800	o				
160	40	115	63	10	12	HMF88 SN12.160 Z12-NC	2232900	o				
160	40	115	63	10	18	HMF88 SN12.160 Z18-NC	2233000	o				
200	60	164	63	10	14	HMF88 SN12.200 Z14-NC	2233100	o				
200	60	164	63	10	22	HMF88 SN12.200 Z22-NC	2233200	o				
250	60	184	63	10	16	HMF88 SN12.250 Z16-NC	2233300	o				
250	60	184	63	10	24	HMF88 SN12.250 Z24-NC	2233400	o				

Bild & Zeichnung Image & Drawings	Artikelbezeichnung Item Code	Schneidstoffsorte Cutting materials	Bestell-Nr. Order No	Verfüg. Availability	Abmessungen [mm] Dimensions [mm]					
					l	d	s	d1	r	
<p>N = 8</p>	■ SNMX 120608 TM-NR	HAP30M	2154500	•	12,70	12,70	5,8	5,2	0,8	
	■ SNMX 120608 TM-NR	HAP35M	2154600	•	12,70	12,70	5,8	5,2	0,8	
	■ SNMX 120608 TM-NN	HAM40M	2154400	•	12,70	12,70	6,2	5,2	0,8	
	■ SNMX 120608 TM-NK	HAK15M	2154200	•	12,70	12,70	5,8	5,2	0,8	
	■ SNMX 120608 TM-NK	HAK20M	2154300	•	12,70	12,70	5,8	5,2	0,8	
	■ SNMX 120612 TM-NR	HAP30M	2154900	•	12,70	12,70	5,8	5,2	1,2	
	■ SNMX 120612 TM-NR	HAP35M	2155000	•	12,70	12,70	5,8	5,2	1,2	
	■ SNMX 120612 TM-NK	HAK15M	2154700	•	12,70	12,70	5,8	5,2	1,2	
	■ SNMX 120612 TM-NK	HAK20M	2154800	•	12,70	12,70	5,8	5,2	1,2	

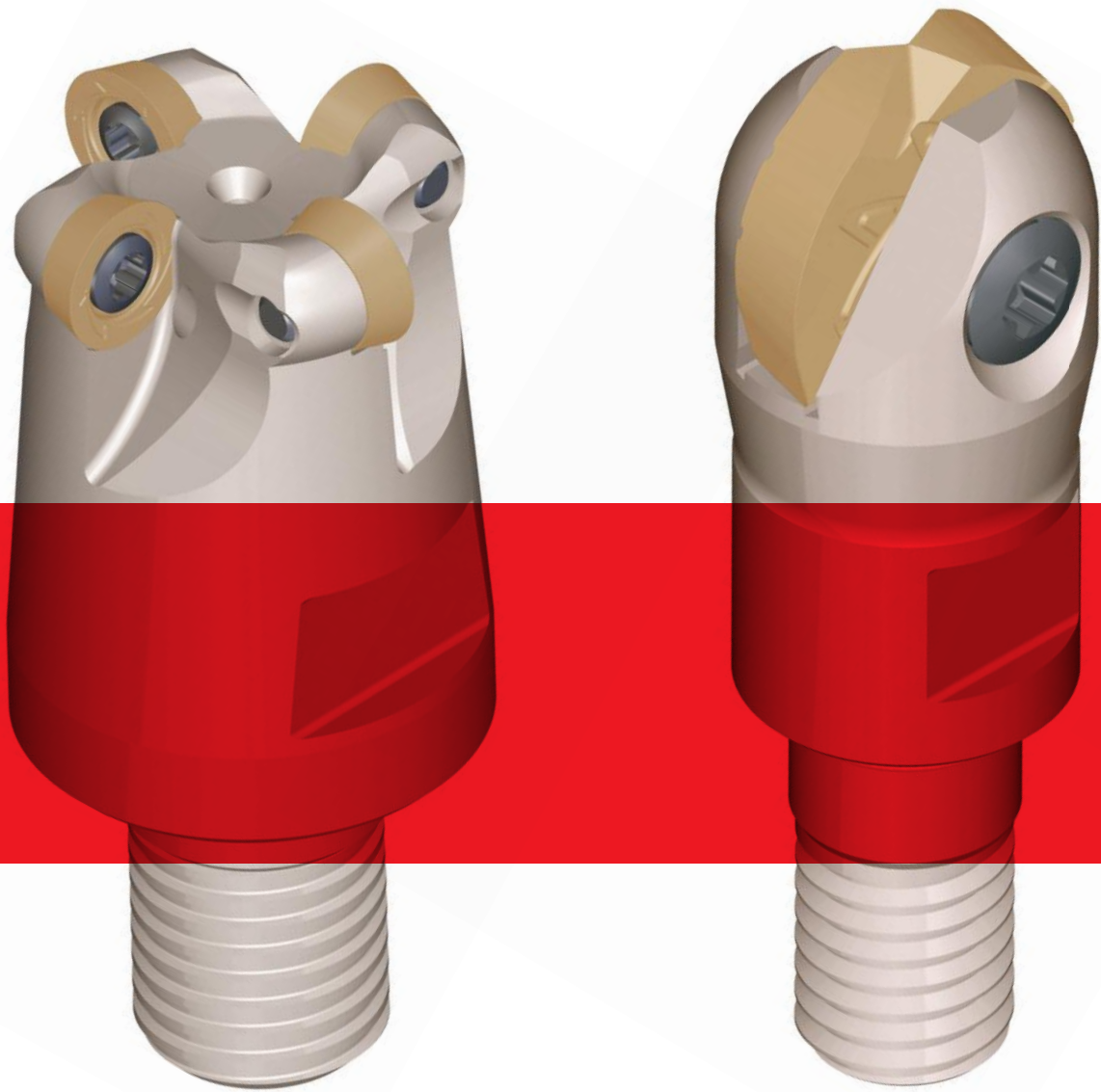
		HARDNESS	Kühlung Cooling			Schnittdaten v <sub>c</sub> [m/min] Cutting data v <sub>c</sub> [m/min]			
			Luft Air	Trocken Dry	Nass Wet	HAP20M# HAP25M#	HAP30M# HAP35M# HAP40M#	HAM35M#	HAM40M#
P	P1		●	●		210 - 290	180 - 260	---	200 - 260
	P2		●	●		170 - 250	160 - 200	---	160 - 220
	P3		●	●		140 - 190	120 - 160	---	130 - 170
	P4		●	●		120 - 160	110 - 150	---	120 - 150
	P5		●	●		140 - 200	120 - 170	---	130 - 190
M	M1		●	●	●	100 - 150	---	120 - 180	110 - 160
	M2		●	●	●	70 - 110	---	80 - 130	70 - 120
K	K1		●	●		200 - 280	---	---	---
	K2		●	●		130 - 180	---	---	---
	K3		●	●		160 - 210	---	---	---
N	N1		●	●	●	---	---	---	---
	N2		●	●	●	---	---	---	---
	N3		●	●	●	---	---	---	---
	N4		●	●	●	---	---	---	---
S	S1		●	●	●	---	---	70 - 90	55 - 70
	S2		●	●	●	---	---	35 - 45	25 - 35
	S3		●	●	●	---	---	50 - 100	30 - 70
	S4		●	●	●	---	---	30 - 80	25 - 50
H	H1	45 - 54 HRC	●	●		---	---	100 - 140	---
	H2	55 - 63 HRC	●	●		---	---	80 - 120	---
	H3	64 - 66 HRC	●	●		---	---	---	---
	H4	50 - 60 HRC	●	●		---	---	90 - 130	---

V<sub>c</sub> = m/min

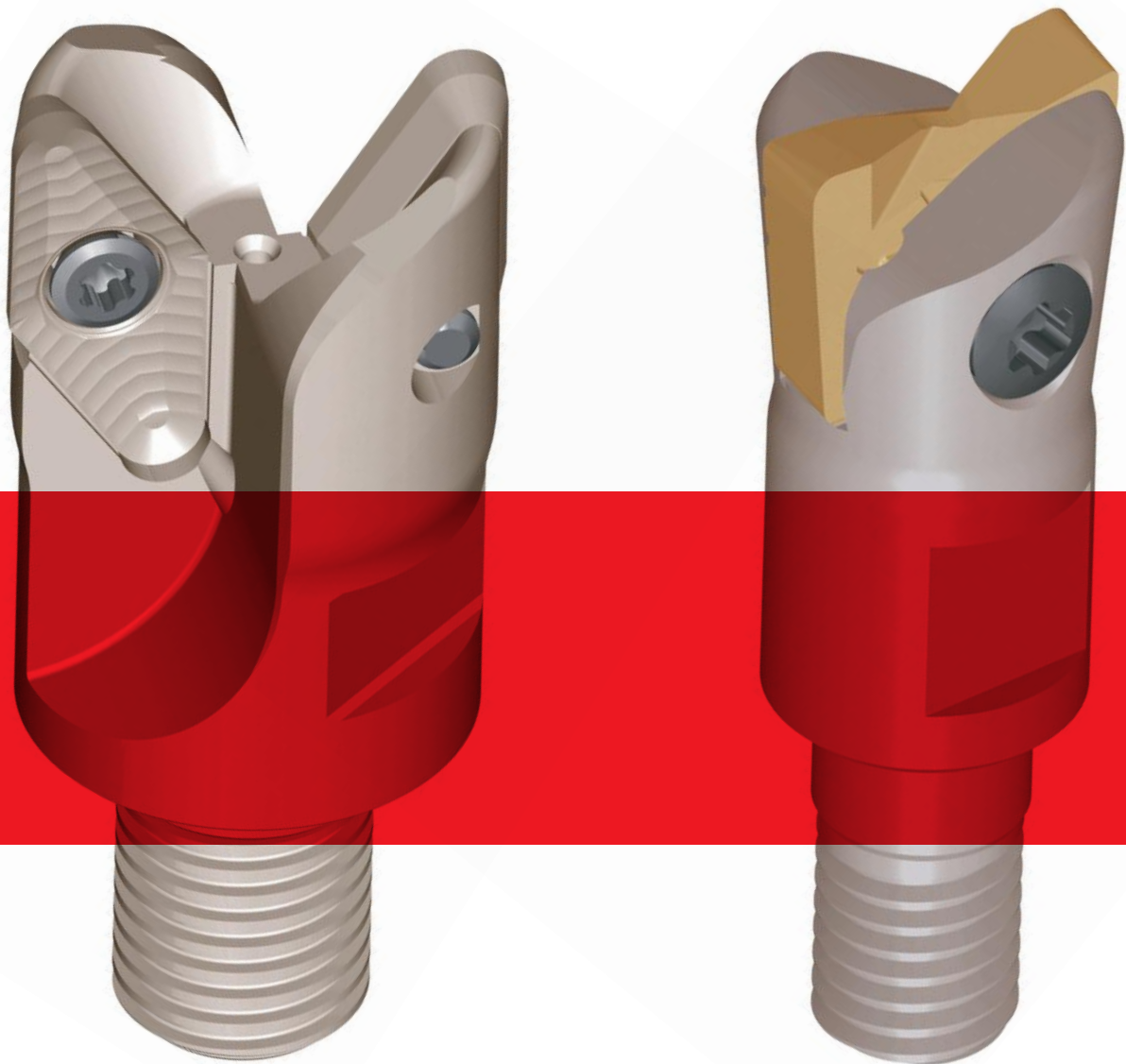
Schnittdaten v <sub>c</sub> [m/min] Cutting data v <sub>c</sub> [m/min]					
	HAK15M# HAK20M#	HXN10M#	HAN10M#	HAS35M# HAS40M#	HAH05M# HAH10M#
	220 - 280	---	---	---	240 - 350
	190 - 240	---	---	---	200 - 300
	150 - 190	---	---	---	160 - 250
	---	---	---	---	---
	140 - 200	---	---	---	160 - 260
	---	---	---	100 - 150	---
	---	---	---	70 - 110	---
	220 - 360	---	---	---	280 - 490
	150 - 190	---	---	---	160 - 300
	170 - 240	---	---	---	220 - 340
	---	1200 - 2400	1500 - 3000	---	---
	---	240 - 550	310 - 750	---	---
	---	120 - 380	160 - 480	---	---
	---	400 - 500	600 - 800	---	---
	---	---	---	65 - 80	---
	---	---	---	30 - 45	---
	---	---	---	40 - 90	---
	---	---	---	30 - 70	---
	100 - 140	---	---	---	110 - 160
	80 - 120	---	---	---	90 - 130
	---	---	---	---	70 - 110
	90 - 130	---	---	---	100 - 150

V<sub>c</sub> = m/min

# 3D FRÄSEN 3D MILLING







**PG. 112 - 153**

	Schafffräser Stahlschaft End milling cutter steel shank	Schafffräser Vollhartmetall End milling cutter solid carbide shank	Einschraubfräser Stahlschaft Screw on type steelshank
Ausführung Execution			
Durchmesserbereich metrisch Diameter range metric	Ø 8 - 25 mm	Ø 8 - 32 mm	Ø 8 - 32 mm
Plattengröße HME Insert size HME	08, 10, 12, 16, 20, 25	08, 10, 12, 16, 20, 25, 32	08, 10, 12, 16, 20, 25, 32
Plattengröße HTE Insert size HTE	08, 10, 12, 16, 20, 25	08, 10, 12, 16, 20, 25	08, 10, 12, 16, 20, 25

**Einzigartige Eigenschaften:**

- Erzielen Sie maximale Produktivität mit unserem vielseitigen Werkzeugsystem.
- Unser multifunktionales System verwendet einen Basis-Körper für zwei Bearbeitungsprozesse und reduziert so den Bedarf an zusätzlichen Werkzeughaltern.
- Für höchste Präzision und Prozessstabilität empfehlen wir, unsere "Flatcut"-Einsätze in Kombination mit unseren speziell entwickelten Werkzeugen zu verwenden.
- Wählen Sie aus einer breiten Palette von Einsätzen und Werkzeugen, einschließlich unserer Kugelnasen-Kopierfräser für Halb- und Fertigbearbeitung, die für Ihre Bedürfnisse am besten geeignet sind.
- Unsere gelöteten Vollhartmetallwerkzeuge sind speziell konzipiert, um Vibrationen zu reduzieren und hochwertige Oberflächen zu erzielen.
- Wir garantieren spezifische Drehwinkelgenauigkeiten und verwenden ultrahartes Feinstkornkarbid, um sowohl hohe Verschleiß- als auch Bruchfestigkeit zu gewährleisten und somit die Prozesssicherheit zu erhöhen.
- Jeder Einsatz und jeder Fräserkörper enthält eine interne Kühlmittelversorgung für optimale Leistung.
- Unsere Einsätze haben eine höhere Dicke für erhöhte Stabilität und Vibrationsbeständigkeit.

**Unique Characteristics:**

- Achieve maximum productivity with our versatile tool system.
- Our multifunctional system uses one basic body for two machining processes, reducing the need for additional tool holders.
- For the highest precision and process stability, we recommend using "Flatcut" inserts in combination with our specially designed tools
- Choose from a wide range of inserts and tools to fit your needs, including our ball nose copying tool for semi-finishing and finishing.
- Our soldered solid carbide tools are specifically designed to reduce vibrations and deliver high-quality surface finishes.
- We ensure specific rotation tolerances and use ultrafine grain carbides to provide both high wear resistance and fracture resistance, resulting in increased process reliability.
- Every insert and cutter body includes an internal coolant supply for optimal performance.
- Our inserts have a higher thickness for increased stability and vibration resistance.

Bezeichnung Wendeschneidplatte BALLCUT / FLATCUT  
Description Insert BALLCUT / FLATCUT

FHF	:	Finishing Hard Fine	FHN2	:	Finishing Hard Neutral 2
MHF	:	Medium Hard Fine	MHN	:	Medium Hard Neutral
SHF	:	Semifinishing Hard Fine	MHN2	:	Medium Hard Neutral 2
			SHN	:	Semifinishing Hard Neutral
			SHN2	:	Semifinishing Hard Neutral 2

WSP Geometrie Insert geometry	HME.. 08		HME.. 10	
	Schnitttiefe Cutting depth [mm] a <sub>p</sub> max	Vorschub Feed [mm] f <sub>z</sub>	Schnitttiefe Cutting depth [mm] a <sub>p</sub> max	Vorschub Feed [mm] f <sub>z</sub>
FHF2	0,10 <b>0,15</b> 0,20	0,10 <b>0,15</b> 0,20	0,12 <b>0,20</b> 0,24	0,15 <b>0,20</b> 0,25
MHN	0,10 <b>0,15</b> 0,20	0,10 <b>0,15</b> 0,20	0,12 <b>0,20</b> 0,24	0,15 <b>0,20</b> 0,25
MHN2	0,10 <b>0,15</b> 0,20	0,10 <b>0,15</b> 0,20	0,12 <b>0,20</b> 0,24	0,15 <b>0,20</b> 0,25
SHN2	0,10 <b>0,12</b> 0,15	0,08 <b>0,12</b> 0,15	0,10 <b>0,15</b> 0,20	0,10 <b>0,15</b> 0,20

WSP Geometrie Insert geometry	HME.. 12		HME.. 16		HME.. 20	
	Schnitttiefe Cutting depth [mm] a <sub>p</sub> max	Vorschub Feed [mm] f <sub>z</sub>	Schnitttiefe Cutting depth [mm] a <sub>p</sub> max	Vorschub Feed [mm] f <sub>z</sub>	Schnitttiefe Cutting depth [mm] a <sub>p</sub> max	Vorschub Feed [mm] f <sub>z</sub>
FHF	0,06 <b>0,12</b> 0,18	0,08 <b>0,14</b> 0,20	0,08 <b>0,15</b> 0,22	0,12 <b>0,18</b> 0,24	0,12 <b>0,20</b> 0,28	0,18 <b>0,24</b> 0,30
FHF2	0,06 <b>0,12</b> 0,18	0,08 <b>0,14</b> 0,20	0,08 <b>0,15</b> 0,22	0,12 <b>0,18</b> 0,24	0,12 <b>0,20</b> 0,28	0,18 <b>0,24</b> 0,30
MHF	0,10 <b>0,15</b> 0,24	0,15 <b>0,22</b> 0,30	0,08 <b>0,15</b> 0,22	0,12 <b>0,18</b> 0,24	0,20 <b>0,25</b> 0,40	0,22 <b>0,30</b> 0,38
SHF	0,15 <b>0,25</b> 0,30	0,15 <b>0,25</b> 0,30	0,13 <b>0,20</b> 0,32	0,18 <b>0,25</b> 0,30	0,20 <b>0,35</b> 0,45	0,30 <b>0,40</b> 0,45
FHN2	0,06 <b>0,12</b> 0,18	0,08 <b>0,14</b> 0,20	0,20 <b>0,30</b> 0,35	0,20 <b>0,30</b> 0,35	0,12 <b>0,20</b> 0,28	0,18 <b>0,24</b> 0,30
MHN	0,15 <b>0,30</b> 0,40	0,15 <b>0,25</b> 0,35	0,20 <b>0,35</b> 0,45	0,20 <b>0,30</b> 0,35	0,25 <b>0,40</b> 0,50	0,30 <b>0,40</b> 0,45
MHN2	0,15 <b>0,30</b> 0,40	0,15 <b>0,25</b> 0,35	0,20 <b>0,35</b> 0,45	0,20 <b>0,30</b> 0,35	0,25 <b>0,40</b> 0,50	0,30 <b>0,40</b> 0,45
SHN	0,10 <b>0,16</b> 0,22	0,10 <b>0,16</b> 0,22	0,12 <b>0,18</b> 0,24	0,14 <b>0,20</b> 0,26	0,16 <b>0,24</b> 0,32	0,20 <b>0,28</b> 0,36
SHN2	0,10 <b>0,16</b> 0,22	0,10 <b>0,16</b> 0,22	0,12 <b>0,18</b> 0,24	0,14 <b>0,20</b> 0,26	0,16 <b>0,24</b> 0,32	0,20 <b>0,28</b> 0,36

WSP Geometrie Insert geometry	HME.. 25		HME.. 32	
	Schnitttiefe Cutting depth [mm] a <sub>p</sub> max	Vorschub Feed [mm] f <sub>z</sub>	Schnitttiefe Cutting depth [mm] a <sub>p</sub> max	Vorschub Feed [mm] f <sub>z</sub>
FHF2	0,18 <b>0,25</b> 0,38	0,15 <b>0,22</b> 0,32	0,22 <b>0,29</b> 0,42	0,18 <b>0,27</b> 0,35
MHF	0,25 <b>0,31</b> 0,50	0,22 <b>0,32</b> 0,42	0,32 <b>0,40</b> 0,64	0,25 <b>0,35</b> 0,45
SHF	0,25 <b>0,40</b> 0,50	0,30 <b>0,40</b> 0,45	0,30 <b>0,45</b> 0,55	0,40 <b>0,50</b> 0,55
MHN	0,30 <b>0,45</b> 0,55	0,30 <b>0,40</b> 0,45	0,35 <b>0,50</b> 0,60	0,40 <b>0,50</b> 0,55
MHN2	0,30 <b>0,45</b> 0,55	0,30 <b>0,40</b> 0,45	-	-
SHN2	0,22 <b>0,30</b> 0,38	0,20 <b>0,30</b> 0,40	-	-

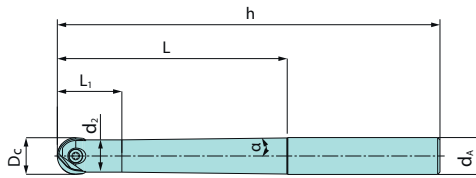
WSP Geometrie Insert geometry	HTE.. 08		HTE.. 10		HTE.. 12	
	Schnitttiefe Cutting depth [mm] $a_p$ max	Vorschub Feed [mm] $f_z$	Schnitttiefe Cutting depth [mm] $a_p$ max	Vorschub Feed [mm] $f_z$	Schnitttiefe Cutting depth [mm] $a_p$ max	Vorschub Feed [mm] $f_z$
SHF	0,10 <b>0,20</b> *	0,05 <b>0,15</b> 0,25	0,10 <b>0,25</b> *	0,08 <b>0,17</b> 0,25	0,10 <b>0,30</b> *	0,10 <b>0,20</b> 0,30
MHN	0,10 <b>0,25</b> *	0,10 <b>0,20</b> 0,3	0,10 <b>0,30</b> *	0,10 <b>0,20</b> 0,30	0,10 <b>0,30</b> *	0,10 <b>0,20</b> 0,35

WSP Geometrie Insert geometry	HTE.. 16		HTE.. 20		HTE.. 25	
	Schnitttiefe Cutting depth [mm] $a_p$ max	Vorschub Feed [mm] $f_z$	Schnitttiefe Cutting depth [mm] $a_p$ max	Vorschub Feed [mm] $f_z$	Schnitttiefe Cutting depth [mm] $a_p$ max	Vorschub Feed [mm] $f_z$
SHF	0,15 <b>0,30</b> *	0,10 <b>0,22</b> 0,35	0,20 <b>0,35</b> *	0,12 <b>0,26</b> 0,40	0,20 <b>0,4</b> *	0,20 <b>0,30</b> 0,45
MHN	0,15 <b>0,35</b> *	0,10 <b>0,25</b> 0,40	0,20 <b>0,40</b> *	0,20 <b>0,27</b> 0,45	0,20 <b>0,45</b> *	0,20 <b>0,35</b> 0,50

# BALLCUT / FLATCUT STAHSCHAFT / STEEL SHANK



Schafffräser konisch Form A / HME.. & HTE..  
End milling cutter conical form A / HME.. & HTE..

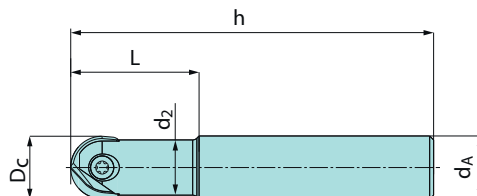


Abmessungen [mm] Dimension [mm]								Artikelbezeichnung Item Code	Schaff Shank	Bestell- Nr. Ordering-No	Verfüg. Availability	Platten Insert	Ersatzteile Spare parts	
Dc	dA	d2	h	$\alpha$	L	L1	z							
8	12	6,5	110	3°30'	53	18,5	2	HMEA00 HME08.008.Z02 110-NC	SS	2211600	•	HME.. 08 HTE.. 08	HKE12-36174 5002900 MA = 1,4Nm	IP7 5000700
8	12	6,5	132	2°	75	18,5	2	HMEA00 HME08.008.Z02 132-NC	SS	2211700	•			
10	12	8	110	2°20'	53	21	2	HMEA00 HME10.010 Z02-110-NC	SS	2211800	•	HME.. 10 HTE.. 10	HKE12-41188 5003000 MA = 2,5Nm	IP8 5000800
10	12	8	132	1°15'	75	21	2	HMEA00 HME10.010 Z02-132-NC	SS	2211900	•			
12	12	10	110	1°20'	53	22	2	HMEA00 HME12.012 Z02-110-NC	SS	2212000	•	HME.. 12 HTE.. 12	HKE12-46206 5003100 MA = 3,5Nm	IP10 5001000
12	12	10	145	0°40'	85	22	2	HMEA00 HME12.012 Z02-145-NC	SS	2212100	•			
16	16	14	123	1°15'	63	28	2	HMEA00 HME16.016 Z02-123-NC	SS	2212200	•	HME.. 16 HTE.. 16	HKE12-51244 5003200 MA = 5Nm	IP15 5001100
16	16	14	166	0°40'	100	28	2	HMEA00 HME16.016 Z02-166-NC	SS	2212300	•			
20	20	17	141	2°	75	34	2	HMEA00 HME20.020 Z02-141-NC	SS	2212400	•	HME.. 20 HTE.. 20	HKE12-61273 5003300 MA = 7Nm	IP20 5001200
20	20	17	191	1°	115	34	2	HMEA00 HME20.020 Z02-191-NC	SS	2212500	•			
25	25	21	166	2°	90	41	2	HMEA00 HME25.025 Z02-166-NC	SS	2212600	•	HME.. 25 HTE.. 25	HKE12-71311 5003400 MA = 8Nm	IP25 5001300
25	32	21	215	3°	135	41	2	HMEA00 HME25.025 Z02-215-NC	SS	2212700	•			

# BALLCUT / FLATCUT STAHSCHAFT / STEEL SHANK

heikenei.com

Schaftfräser zylindrisch Form B / HME.. & HTE..  
End milling cutter cylindrical form B / HME.. & HTE..



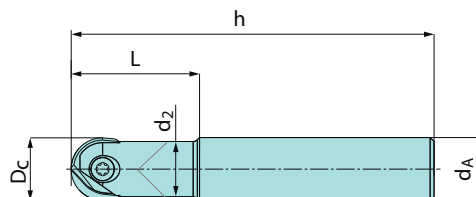
Abmessungen [mm] Dimension [mm]						Artikelbezeichnung Item Code	Schaft Shank	Bestell-Nr. Ordering- No	Verfüg. Availability	Platten Insert	Ersatzteile Spare parts	
Dc	dA	d2	h	L	z							
8	12	7	92	32	2	HMEB00 HME08.008 Z02-092	SS	2214100	•	HME.. 08 HTE.. 08	HKE12-36174 5002900 MA = 1,4Nm	IP7 5000700
10	12	9	92	32	2	HMEB00 HME10.010 Z02-092	SS	2214200	•	HME.. 10 HTE.. 10	HKE12-41188 5003000 MA = 2,5Nm	IP8 5000800
12	12	11	92	32	2	HMEB00 HME12.012 Z02-092	SS	2214300	•	HME.. 12 HTE.. 12	HKE12-46206 5003100 MA = 3,5Nm	IP10 5001000
12	12	11	145	45	2	HMEB00 HME12.012 Z02-145-NC	SS	2214400	•			
16	16	14	92	32	2	HMEB00 HME16.016 Z02-092	SS	2214500	•	HME.. 16 HTE.. 16	HKE12-51244 5003200 MA = 5Nm	IP15 5001100
16	16	14	160	55	2	HMEB00 HME16.016 Z02-160-NC	SS	2214600	•			
20	20	18	104	38	2	HMEB00 HME20.020 Z02-104	SS	2214700	•	HME.. 20 HTE.. 20	HKE12-61273 5003300 MA = 7Nm	IP20 5001200
20	20	18	190	65	2	HMEB00 HME20.020 Z02-190-NC	SS	2214800	•			
25	25	21	121	45	2	HMEB00 HME25.025 Z02-121	SS	2214900	•	HME.. 25 HTE.. 25	HKE12-71311 5003400 MA = 8Nm	IP25 5001300
25	25	21	210	75	2	HMEB00 HME25.025 Z02-210-NC	SS	2215000	•			

# BALLCUT / FLATCUT

## VOLLHARTMETALL-SCHAFT / SOLID CARBIDE SHANK



Schafffräser zylindrisch Form B Vollhartmetall-Schaft / HME.. & HTE..  
 End milling cutter cylindrical form B solid carbide shank / HME.. & HTE..



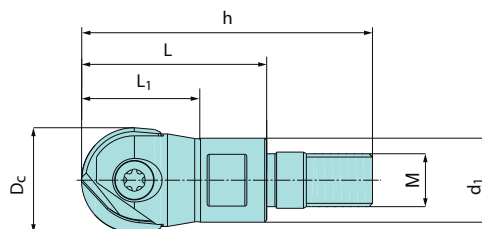
Abmessungen [mm] Dimension [mm]						Artikelbezeichnung Item Code	Schaft Shank	Bestell-Nr. Ordering- No	Verfüg. Availability	Platten Insert	Ersatzteile Spare parts	
Dc	dA	d2	h	L	z							
8	8	7	80	25	2	AEBH00 HME08.008 Z02-80	SS	2264700	•	HME.. 08 HTE.. 08	HKE12-36174 5002900 MA = 1,4Nm	IP7 5000700
8	8	7	100	25	2	AEBH00 HME08.008 Z02-100	SS	2264500	•			
8	8	7	150	75	2	AEBH00 HME08.008 Z02-150	SS	2264600	•			
10	10	8,8	80	35	2	AEBH00 HME10.010 Z02-80	SS	2265000	○	HME.. 10 HTE.. 10	HKE12-41188 5003000 MA = 2,5Nm	IP8 5000800
10	10	8,8	120	35	2	AEBH00 HME10.010 Z02-120	SS	2264800	•			
10	10	8,8	150	50	2	AEBH00 HME10.010 Z02-150	SS	2264900	•			
12	12	10,5	80	35	2	AEBH00 HME12.012 Z02-80	SS	2265300	•	HME.. 12 HTE.. 12	HKE12- 46206 5003100 MA = 3,5Nm	IP10 5001000
12	12	10,5	120	35	2	AEBH00 HME12.012 Z02-120	SS	2265100	•			
12	12	10,5	160	50	2	AEBH00 HME12.012 Z02-160	SS	2265200	•			
16	16	14	100	40	2	AEBH00 HME16.016 Z02-100	SS	2265400	•	HME.. 16 HTE.. 16	HKE12-51244 5003200 MA = 5Nm	IP15 5001100
16	16	14	140	40	2	AEBH00 HME16.016 Z02-140	SS	2265500	•			
16	16	14	140	55	2	AEBH00 HME16.016 Z02-140-55	SS	2265600	•			
16	16	14	175	55	2	AEBH00 HME16.016 Z02-175	SS	2265700	•			
20	20	18	100	50	2	AEBH00 HME20.020 Z02-100	SS	2265800	•	HME.. 20 HTE.. 20	HKE12-61273 5003300 MA = 7Nm	IP20 5001200
20	20	18	140	50	2	AEBH00 HME20.020 Z02-140	SS	2265900	•			
20	20	18	190	75	2	AEBH00 HME20.020 Z02-190	SS	2266000	•			
25	25	22,4	160	60	2	AEBH00 HME25.025 Z02-160	SS	2266100	○	HME.. 25 HTE.. 25	HKE12-71311 5003400 MA = 8Nm	IP25 5001300
25	25	22,4	210	90	2	AEBH00 HME25.025 Z02-210	SS	2266200	•			
32	32	28,6	190	65	2	AEBH00 HME32.032 Z02-190	SS	2266300	○	HME.. 32 HTE.. 32	HKE12-91361 5003500 MA = 20Nm	IP40 5001400
32	32	28,6	240	105	2	AEBH00 HME32.032 Z02-240	SS	2266400	○			



# BALLCUT / FLATCUT EINSCHRAUBFRÄSER / SCREW ON TYPE

heikenei.com

Einschraubfräser / HME.. & HTE..  
Screw on type / HME.. & HTE..

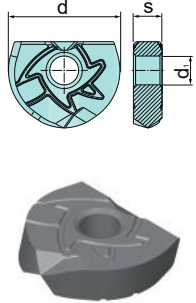


Abmessungen [mm] Dimension [mm]								Artikelbezeichnung Item Code	Bestell-Nr. Order No	Verfüg. Availability	Platten Insert	Ersatzteile Spare parts	
Dc	d1	h	L	L1	M	z							
8	7,7	36	23	23	4,5	2	HMS00 HME08.008 Z02 077 M4.5	2254400	•	HME.. 08 HTE.. 08	HKE12-36174 5002900 MA = 1,4Nm	IP7 5000700	
8	9,7	36,5	23	13*	6	2	HMS00 HME08.008 Z02-M6	2254500	•				
10	9,7	36,5	23	23	6	2	HMS00 HME10.010 Z02-M6	2254600	•	HME.. 10 HTE.. 10	HKE12-41188 5003000 MA = 2,5Nm	IP8 5000800	
12	9,7	36,5	23	23	6	2	HMS00 HME12.012 Z02-M6	2254700	•	HME.. 12 HTE.. 12	HKE12-46206 5003100 MA = 3,5Nm	IP10 5001000	
12	12,7	44	28	17,5*	8	2	HMS00 HME12.012 Z02-M8	2254800	•				
16	12,7	44	28	28	8	2	HMS00 HME16.016 Z02-M8	2255000	•	HME.. 16 HTE.. 16	HKE12-51244 5003200 MA = 5Nm	IP15 5001100	
16	15,4	46	28	28	10	2	HMS00 HME16.016 Z02-M10	2254900	•				
20	17,7	46	28	28	10	2	HMS00 HME20.020 Z02-M10	2255100	•	HME.. 20 HTE.. 20	HKE12-61273 5003300 MA = 7Nm	IP20 5001200	
25	20,7	55	35	35	12	2	HMS00 HME25.025 Z02-M12	2255200	•	HME.. 25 HTE.. 25	HKE12-71311 5003400 MA = 8Nm	IP25 5001300	
32	28,7	65	43	43	16	2	HMS00 HME32.032 Z02-M16	2255300	•	HME.. 32 HTE.. 32	HKE12-91361 5003500 MA = 20Nm	IP40 5001400	

Bild & Zeichnung Image & Drawings	Artikelbezeichnung Item Code	Schneidstoffsorte Cutting materials	Bestell-Nr. Ordering- No	Verfüg. Availability	Abmessungen [mm] Dimensions [mm]		
					d	s	d <sub>1</sub>
	■ HME12 FHF	HAH03M	2165500	•	12	2,99	3,5
	■ HME12 SHF	HAH10M	2166400	•	12	2,99	3,5
	■ HME12 SHF	HAH23M	2166500	•	12	2,99	3,5
	■ HME12 MHF	HAH30M	2165800	•	12	2,99	3,5
	■ HME16 FHF	HAH03M	2166800	•	16	3,99	4
	■ HME16 SHF	HAH10M	2167700	•	16	3,99	4
	■ HME16 SHF	HAH23M	2167800	•	16	3,99	4
	■ HME16 MHF	HAH30M	2167100	•	16	3,99	4
	■ HME20 FHF	HAH03M	2168100	•	20	4,99	5
	■ HME20 SHF	HAH10M	2169000	•	20	4,99	5
	■ HME20 SHF	HAH23M	2169100	•	20	4,99	5
	■ HME20 MHF	HAH30M	2168400	•	20	4,99	5
	■ HME25 SHF	HAH10M	2170100	•	25	5,99	6
	■ HME25 SHF	HAH23M	2170200	•	25	5,99	6
	■ HME25 MHF	HAH30M	2169500	•	25	5,99	6
	■ HME32 SHF	HAH10M	2171100	•	32	6,99	8
■ HME32 SHF	HAH23M	2171200	•	32	6,99	8	
■ HME32 MHF	HAH30M	2170500	•	32	6,99	8	
N = 2							
	■ HME08 MHN	HAH10M	2163000	•	8	2,39	2,5
	■ HME08 MHN	HAH23M	2163100	•	8	2,39	2,5
	■ HME08 MHN	HAH30M	2163200	•	8	2,39	2,5
	■ HME10 MHN	HAH10M	2164300	•	10	2,59	3
	■ HME10 MHN	HAH23M	2164400	•	10	2,59	3
	■ HME10 MHN	HAH30M	2164500	•	10	2,59	3
	■ HME12 SHN	HAH03M	2166600	•	12	2,99	3,5
	■ HME12 MHN	HAH10M	2165900	•	12	2,99	3,5
	■ HME12 MHN	HAH23M	2166000	•	12	2,99	3,5
	■ HME12 MHN	HAH30M	2166100	•	12	2,99	3,5
	■ HME16 SHN	HAH03M	2167900	•	16	3,99	4
	■ HME16 MHN	HAH10M	2167200	•	16	3,99	4
	■ HME16 MHN	HAH23M	2167300	•	16	3,99	4
	■ HME16 MHN	HAH30M	2167400	•	16	3,99	4
	■ HME20 SHN	HAH03M	2169200	•	20	4,99	5
	■ HME20 MHN	HAH10M	2168500	•	20	4,99	5
	■ HME20 MHN	HAH23M	2168600	•	20	4,99	5
	■ HME20 MHN	HAH30M	2168700	•	20	4,99	5
	■ HME25 MHN	HAH10M	2169600	•	25	5,99	6
	■ HME25 MHN	HAH23M	2169700	•	25	5,99	6
	■ HME25 MHN	HAH30M	2169800	•	25	5,99	6
	■ HME32 MHN	HAH10M	2170600	•	32	6,99	8
	■ HME32 MHN	HAH23M	2170700	•	32	6,99	8
	■ HME32 MHN	HAH30M	2170800	•	32	6,99	8
N = 2							

Bild & Zeichnung Image & Drawings	Artikelbezeichnung Item Code	Schneidstoffsorte Cutting materials	Bestell-Nr. Order No	Verfüg. Availability	Abmessungen [mm] Dimensions [mm]		
					d	s	d <sub>1</sub>
	■ HME08 FHF2	HAH13M	2162900	•	8	2,39	2,5
	■ HME10 FHF2	HAH13M	2164200	•	10	2,59	3
	■ HME12 FHF2	HAH13M	2165600	•	12	2,99	3,5
	■ HME16 FHF2	HAH13M	2166900	•	16	3,99	4
	■ HME20 FHF2	HAH13M	2168200	•	20	4,99	5
	■ HME25 FHF2	HAH13M	2169400	•	25	5,99	6
	■ HME32 FHF2	HAH13M	2170400	•	32	6,99	8
N = 2							
	■ HME08 MHN2	HAH10M	2163300	•	8	2,39	2,5
	■ HME08 SHN2	HAH23M	2163500	•	8	2,39	2,5
	■ HME08 MHN2	HAH30M	2163400	•	8	2,39	2,5
	■ HME10 MHN2	HAH10M	2164600	•	10	2,59	3
	■ HME10 SHN2	HAH23M	2164800	•	10	2,59	3
	■ HME10 MHN2	HAH30M	2164700	•	10	2,59	3
	■ HME12 FHN2	HAH03M	2165700	•	12	2,99	3,5
	■ HME12 MHN2	HAH10M	2166200	•	12	2,99	3,5
	■ HME12 SHN2	HAH23M	2166700	•	12	2,99	3,5
	■ HME12 MHN2	HAH30M	2166300	•	12	2,99	3,5
	■ HME16 FHN2	HAH03M	2167000	•	16	3,99	4
	■ HME16 MHN2	HAH10M	2167500	•	16	3,99	4
	■ HME16 SHN2	HAH23M	2168000	•	16	3,99	4
	■ HME16 MHN2	HAH30M	2167600	•	16	3,99	4
	■ HME20 FHN2	HAH03M	2168300	•	20	4,99	5
	■ HME20 MHN2	HAH10M	2168800	•	20	4,99	5
	■ HME20 SHN2	HAH23M	2169300	•	20	4,99	5
	■ HME20 MHN2	HAH30M	2168900	•	20	4,99	5
	■ HME25 MHN2	HAH10M	2169900	•	25	5,99	6
	■ HME25 SHN2	HAH23M	2170300	•	25	5,99	6
	■ HME25 MHN2	HAH30M	2170000	•	25	5,99	6
■ HME32 MHN2	HAH10M	2170900	•	32	6,99	8	
■ HME32 SHN2	HAH23M	2171300	•	32	6,99	8	
■ HME32 MHN2	HAH30M	2171000	•	32	6,99	8	
N = 2							



Bild & Zeichnung Image & Drawings	Artikelbezeichnung Item Code	Schneidstoffsorte Cutting materials	Bestell-Nr. Order No	Verfüg. Availability	Abmessungen [INCH] Dimensions [INCH]		
					d	s	d <sub>1</sub>
	■ HME0312 MHN2	HAH10M	2159000	○	0.312	0.094	0.098
	■ HME0312 SHN2	HAH23M	2159400	○	0.312	0.094	0.098
	■ HME0312 MHN2	HAH30M	2159100	○	0.312	0.094	0.098
	■ HME0375 MHN2	HAH10M	2159700	●	0.375	0.10	0.118
	■ HME0375 SHN2	HAH23M	2160100	●	0.375	0.10	0.118
	■ HME0375 MHN2	HAH30M	2159800	○	0.375	0.10	0.118
	■ HME0500 FHN2	HAH03M	2160400	○	0.500	0.118	0.138
	■ HME0500 MHN2	HAH10M	2160600	●	0.500	0.118	0.138
	■ HME0500 SHN2	HAH23M	2161000	●	0.500	0.118	0.138
	■ HME0500 MHN2	HAH30M	2160700	○	0.500	0.118	0.138
	■ HME0625 FHN2	HAH03M	2161300	○	0.625	0.157	0.157
	■ HME0625 MHN2	HAH10M	2161500	○	0.625	0.157	0.157
	■ HME0625 SHN2	HAH23M	2161900	○	0.625	0.157	0.157
	■ HME0625 MHN2	HAH30M	2161600	○	0.625	0.157	0.157
	■ HME0750 FHN2	HAH03M	2162200	○	0.750	0.196	0.196
	■ HME0750 MHN2	HAH10M	2162400	●	0.750	0.196	0.196
	■ HME0750 SHN2	HAH23M	2162800	●	0.750	0.196	0.196
	■ HME0750 MHN2	HAH30M	2162500	○	0.750	0.196	0.196
	■ HME1000 MHN2	HAH10M	2163700	●	1.000	0.236	0.236
	■ HME1000 SHN2	HAH23M	2164100	●	1.000	0.236	0.236
	■ HME1000 MHN2	HAH30M	2163800	○	1.000	0.236	0.236
■ HME1250 MHN2	HAH10M	2165000	○	1.250	0.275	0.315	
■ HME1250 SHN2	HAH23M	2165400	○	1.250	0.275	0.315	
■ HME1250 MHN2	HAH30M	2165100	○	1.250	0.275	0.315	

N = 2

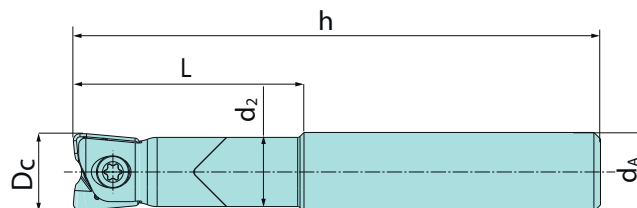
# FLATCUT

## VOLLHARTMETALL-SCHAFT / SOLID CARBIDE SHANK

**HEIKENEI**<sup>®</sup>

wir produzieren industrielle Lösungen

Schafffräser zylindrisch Form B Vollhartmetall-Schaft / HTE..  
End milling cutter cylindrical form B Solid carbide shank / HTE..



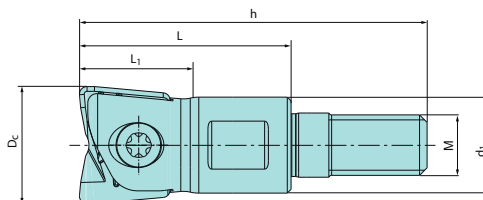
Abmessungen [mm] Dimension [mm]						Artikelbezeichnung Item Code	Schaft Shank	Bestell-Nr. Ordering- No	Verfüg. Availability	Platten Insert	Ersatzteile Spare parts	
Dc	dA	d2	h	L	z							
8	8	7	80	25	2	AEBH90 HTE08.008 Z02-80		2266700	•	HTE.. 08	HKE12-36174 5002900 MA = 1,4Nm	IP7 5000700
8	8	7	100	25	2	AEBH90 HTE08.008 Z02-100		2266500	•			
8	8	7	150	75	2	AEBH90 HTE08.008 Z02-150		2266600	○			
10	10	8,8	80	35	2	AEBH90 HTE10.010 Z02-80		2267000	○	HTE.. 10	HKE12-41188 5003000 MA = 2,5Nm	IP8 5000800
10	10	8,8	120	35	2	AEBH90 HTE10.010 Z02-120		2266800	•			
10	10	8,8	150	50	2	AEBH90 HTE10.010 Z02-150		2266900	•			
12	12	10,5	80	35	2	AEBH90 HTE12.012 Z02-80		2267300	•	HTE.. 12	HKE12-46206 5003100 MA = 3,5Nm	IP10 5001000
12	12	10,5	120	35	2	AEBH90 HTE12.012 Z02-120		2267100	•			
12	12	10,5	160	50	2	AEBH90 HTE12.012 Z02-160		2267200	•			
16	16	14	100	40	2	AEBH90 HTE16.016 Z02-100		2267400	•	HTE.. 16	HKE12-51244 5003200 MA = 5Nm	IP15 5001100
16	16	14	140	40	2	AEBH90 HTE16.016 Z02-140		2267500	•			
16	16	14	140	55	2	AEBH90 HTE16.016 Z02-140-55		2267600	○			
16	16	14	175	55	2	AEBH90 HTE16.016 Z02-175		2267700	•			
20	20	18	100	50	2	AEBH90 HTE20.020 Z02-100		2267800	○	HTE.. 20	HKE12-61273 5003300 MA = 7Nm	IP20 5001200
20	20	18	140	50	2	AEBH90 HTE20.020 Z02-140		2267900	•			
20	20	18	190	75	2	AEBH90 HTE20.020 Z02-190		2268000	•			
25	25	22,4	160	60	2	AEBH90 HTE25.025 Z02-160		2268100	○	HTE.. 25	HKE12-71311 5003400 MA = 8Nm	IP25 5001300
25	25	22,4	210	90	2	AEBH90 HTE25.025 Z02-210		2268200	•			

# FLATCUT

## EINSCHRAUBFRÄSER / SCREW ON TYPE

heikenei.com

Einschraubfräser / HTE..  
Screw on type / HTE..



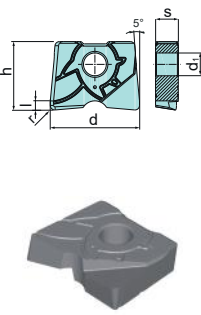
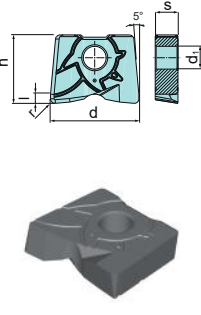
Abmessungen [mm] Dimension [mm]							Artikelbezeichnung Item Code	Bestell-Nr. Order No	Verfüg. Availability	Platten Insert	Ersatzteile Spare parts	
Dc	d1	h	L	L1	M	z						
8	7,7	36	23	23	4,5	2	HMS90 HTE08.008 Z02 077 M4.5	2259000	•	HTE.. 08	HKE12-36174	IP7 5000700
8	9,7	36,5	23	13*	6	2	HMS90 HTE08.008 Z02-M6	2259100	○		MA = 1,4Nm	
10	9,7	36,5	23	23	6	2	HMS90 HTE10.010 Z02-M6	2259200	•	HTE.. 10	HKE12-41188	IP8 5000800
										MA = 2,5Nm		
12	9,7	36,5	23	23	6	2	HMS90 HTE12.012 Z02-M6	2259300	•	HTE.. 12	HKE12-46206	IP10 5001000
12	12,7	44,0	28	17,5*	8	2	HMS90 HTE12.012 Z02-M8	2259400	•		MA = 3,5Nm	
16	12,7	44,0	28	28	8	2	HMS90 HTE16.016 Z02-M8	2259600	•	HTE.. 16	HKE12-51244	IP15 5001100
16	15,4	46,0	28	28	10	2	HMS90 HTE16.016 Z02-M10	2259500	•		MA = 5Nm	
20	17,7	46,0	28	28	10	2	HMS90 HTE20.020 Z02-M10	2259700	•	HTE.. 20	HKE12-61273	IP20 5001200
										MA = 7Nm		
25	20,7	55,0	35	35	12	2	HMS90 HTE25.025 Z02-M12	2259800	•	HTE.. 25	HKE12-71311	IP25 5001300
										MA = 8Nm		




# FLATCUT WENDESCHNEIDPLATTEN / INSERTS



Bild & Zeichnung Image & Drawings	Artikelbezeichnung Item Code	Schneidstoffsorte Cutting materials	Bestell-Nr. Order No	Verfüg. Availability	Abmessungen [mm] Dimensions [mm]						
					h	l	d	s	d <sub>1</sub>	r	
	■ HTE 0810 SHF	HAH10M	2191600	•	7	2	8	2,4	2,5	1	
	■ HTE 1005 SHF	HAH10M	2192700	•	8,5	2	10	2,6	3	0,5	
	■ HTE 1010 SHF	HAH10M	2193000	•	8,5	2	10	2,6	3	1	
	■ HTE 1015 SHF	HAH10M	2193200	○	8,5	2	10	2,6	3	1,5	
	■ HTE 1205 SHF	HAH10M	2193400	•	10	2	12	3	3,5	0,5	
	■ HTE 1210 SHF	HAH10M	2193600	•	10	2	12	3	3,5	1	
	■ HTE 1215 SHF	HAH10M	2193800	○	10	2	12	3	3,5	1,5	
	■ HTE 1220 SHF	HAH10M	2194000	•	10	3	12	3	3,5	2	
	■ HTE 1605 SHF	HAH10M	2194200	○	12	2	16	4	4	0,5	
	■ HTE 1610 SHF	HAH10M	2194400	•	12	2	16	4	4	1	
	■ HTE 1615 SHF	HAH10M	2194600	○	12	2	16	4	4	1,5	
	■ HTE 1630 SHF	HAH10M	2194800	•	12	4	15	4	4	3	
	■ HTE 2010 SHF	HAH10M	2195000	•	15	2	20	5	5	1	
	■ HTE 2040 SHF	HAH10M	2195200	○	15	5	20	5	5	4	
	■ HTE 2510 SHF	HAH10M	2195400	•	18,5	2	25	6	6	1	
	■ HTE 2550 SHF	HAH10M	2195600	○	18,5	6	25	6	6	5	
	N = 2										
		■ HTE 0805 MHN	HAH10M	2191300	○	7	1,5	8	2,4	2,5	0,5
		■ HTE 0806 MHN	HAH10M	2191400	•	7	1,6	8	2,4	2,5	0,6
		■ HTE 0810 MHN	HAH10M	2191500	•	7	2	8	2,4	2,5	1
■ HTE 0820 MHN		HAH10M	2191700	○	7	3	8	2,4	2,5	2,0	
■ HTE 1005 MHN		HAH10M	2192600	•	8,5	1,5	10	2,6	3	0,5	
■ HTE 1008 MHN		HAH10M	2192800	•	8,5	1,8	10	2,6	3	0,8	
■ HTE 1010 MHN		HAH10M	2192900	•	8,5	2	10	2,6	3	1	
■ HTE 1015 MHN		HAH10M	2193100	○	8,5	2	10	2,6	3	1,5	
■ HTE 1205 MHN		HAH10M	2193300	•	10	1,5	12	3	3,5	0,5	
■ HTE 1210 MHN		HAH10M	2193500	•	10	2	12	3	3,5	1	
■ HTE 1215 MHN		HAH10M	2193700	○	10	2	12	3	3,5	1,5	
■ HTE 1220 MHN		HAH10M	2193900	•	10	3	12	3	3,5	2	
■ HTE 1605 MHN		HAH10M	2194100	○	12	2	16	4	4	0,5	
■ HTE 1610 MHN		HAH10M	2194300	•	12	2	16	4	4	1	
■ HTE 1615 MHN		HAH10M	2194500	○	12	2	16	4	4	1,5	
■ HTE 1630 MHN		HAH10M	2194700	•	12	4	16	4	4	3	
■ HTE 2010 MHN		HAH10M	2194900	•	15	2	20	5	5	1	
■ HTE 2040 MHN		HAH10M	2195100	•	15	5	20	5	5	4	
■ HTE 2510 MHN		HAH10M	2195300	•	18,5	2	25	6	6	1	
■ HTE 2550 MHN		HAH10M	2195500	•	18,5	6	25	6	6	5	
N = 2											

Bild & Zeichnung Image & Drawings	Artikelbezeichnung Item Code	Schneidstoffsorte Cutting materials	Bestell-Nr. Order No	Verfüg. Availability	Abmessungen [INCH] Dimensions [INCH]					
					h	l	d	s	d <sub>1</sub>	r
	■ HTE 03120015 SHF	HAH10M	2188400	○	0.273	0.054	0.312	0.094	0.098	0.015
	■ HTE 03120031 SHF	HAH10M	2188600	○	0.273	0.070	0.312	0.094	0.098	0.031
	■ HTE 03120062 SHF	HAH10M	2188800	○	0.273	0.100	0.312	0.094	0.098	0.062
	■ HTE 03750015 SHF	HAH10M	2189000	○	0.324	0.054	0.375	0.102	0.119	0.015
	■ HTE 03750031 SHF	HAH10M	2189200	●	0.324	0.070	0.375	0.102	0.119	0.031
	■ HTE 03750062 SHF	HAH10M	2189400	●	0.324	0.100	0.375	0.102	0.119	0.062
	■ HTE 05000015 SHF	HAH10M	2189600	○	0.406	0.054	0.500	0.119	0.138	0.015
	■ HTE 05000031 SHF	HAH10M	2189800	●	0.406	0.070	0.500	0.119	0.138	0.031
	■ HTE 05000062 SHF	HAH10M	2190000	●	0.406	0.100	0.500	0.119	0.138	0.062
	■ HTE 06250031 SHF	HAH10M	2190200	○	0.468	0.070	0.625	0.137	0.157	0.031
	■ HTE 06250062 SHF	HAH10M	2190400	○	0.468	0.100	0.625	0.137	0.157	0.062
	■ HTE 06250125 SHF	HAH10M	2190600	○	0.468	0.165	0.625	0.137	0.157	0.125
	■ HTE 07500031 SHF	HAH10M	2190800	●	0.570	0.070	0.750	0.197	0.197	0.031
	■ HTE 07500062 SHF	HAH10M	2191000	●	0.570	0.100	0.750	0.197	0.197	0.062
	■ HTE 07500125 SHF	HAH10M	2191200	○	0.570	0.165	0.750	0.197	0.197	0.125
	■ HTE 10000031 SHF	HAH10M	2191900	●	0.732	0.070	1.000	0.236	0.236	0.031
	■ HTE 10000062 SHF	HAH10M	2192100	●	0.732	0.100	1.000	0.236	0.236	0.062
	■ HTE 10000125 SHF	HAH10M	2192300	○	0.732	0.165	1.000	0.236	0.236	0.125
	■ HTE 10000250 SHF	HAH10M	2192500	○	0.732	0.290	1.000	0.236	0.236	0.250
	N = 2									
	■ HTE 03120015 MHN	HAH10M	2188300	○	0.273	0.054	0.312	0.094	0.098	0.015
	■ HTE 03120031 MHN	HAH10M	2188500	○	0.273	0.070	0.312	0.094	0.098	0.031
	■ HTE 03120062 MHN	HAH10M	2188700	○	0.273	0.100	0.312	0.094	0.098	0.062
	■ HTE 03750015 MHN	HAH10M	2188900	○	0.324	0.054	0.375	0.102	0.118	0.015
	■ HTE 03750031 MHN	HAH10M	2189100	●	0.324	0.070	0.375	0.102	0.118	0.031
	■ HTE 03750062 MHN	HAH10M	2189300	●	0.324	0.100	0.375	0.102	0.118	0.063
	■ HTE 05000015 MHN	HAH10M	2189500	○	0.406	0.054	0,500	0.119	0.138	0.015
	■ HTE 05000031 MHN	HAH10M	2189700	●	0.406	0.070	0,500	0.119	0.138	0.031
	■ HTE 05000062 MHN	HAH10M	2189900	●	0.406	0.100	0,500	0.119	0.138	0.062
	■ HTE 06250031 MHN	HAH10M	2190100	○	0.470	0.070	0.625	0.157	0.157	0.031
	■ HTE 06250062 MHN	HAH10M	2190300	○	0.470	0.100	0.625	0.157	0.157	0.062
	■ HTE 06250125 MHN	HAH10M	2190500	○	0.470	0.165	0.625	0.157	0.157	0.125
	■ HTE 07500031 MHN	HAH10M	2190700	●	0.570	0.070	0.750	0.197	0.197	0.031
	■ HTE 07500062 MHN	HAH10M	2190900	●	0.570	0.100	0.750	0.197	0.197	0.062
	■ HTE 07500125 MHN	HAH10M	2191100	○	0.570	0.165	0.750	0.197	0.197	0.125
	■ HTE 10000031 MHN	HAH10M	2191800	●	0.736	0.070	1.000	0.236	0.236	0.031
	■ HTE 10000062 MHN	HAH10M	2192000	●	0.736	0.100	1.000	0.236	0.236	0.062
	■ HTE 10000125 MHN	HAH10M	2192200	○	0.736	0.165	1.000	0.236	0.236	0.125
	■ HTE 10000250 MHN	HAH10M	2192400	○	0.736	0.290	1.000	0.236	0.236	0.250
	N = 2									

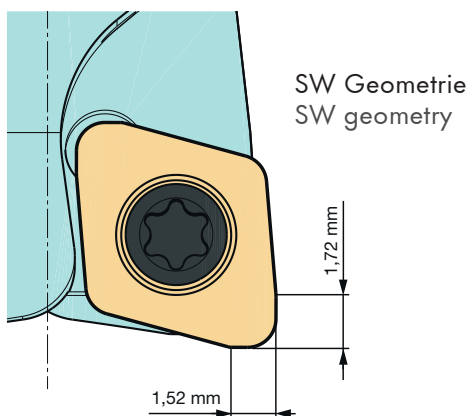
Ausführung Execution	Einschraubfräser 45° Screw on type 45°
	
Durchmesserbereich metrisch Diameter range metric	Ø 16 - 42 mm
Plattengröße Insert size	CD.. 06

### Einzigartige Eigenschaften:

- Präzise hergestellte, verschleißfeste Einsätze gewährleisten die Vielseitigkeit unseres Werkzeugs für unterschiedliche Materialien und Anwendungen.
- Die SW-Axial- und Radialwipergeometrie steigert die Produktivität, indem sie größere  $a_p$  und  $f_z$  ermöglicht.
- Unser vibrationsfreies Finishing-Werkzeug liefert auch bei tiefen Schnitten überragende Ergebnisse.
- Durch die Reduzierung der Geometrie des Schneidkreisdurchmessers  $D_c$  um 0,15 mm in Kombination mit SW erzielen wir eine optimale Leistung.

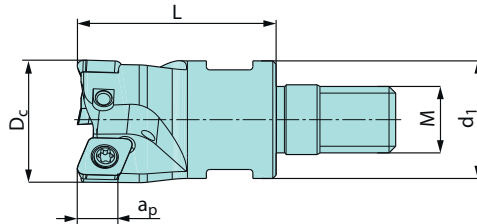
### Unique Characteristics:

- Precisely manufactured, wear-resistant inserts ensure the versatility of our finishing tool for various materials and applications.
- The SW axial and radial wiper geometry enhances productivity by enabling larger  $a_p$  and  $f_z$ .
- Our vibration-free finishing tool delivers superior results even in deep cuts.
- By reducing the geometry of the cutting circle diameter  $D_c$  by 0.15 mm in combination with SW, we achieve optimal performance.



WSP Geometrie Insert geometry	CD.. 06	
	Schnitttiefe Cutting depth [mm] $a_p$ max	Vorschub Feed [mm] $f_z$
SH	0,10 <b>0,25</b> 1,00	0,08 <b>0,22</b> 0,33
SW	0,12 <b>0,25</b> 1,80	0,10 <b>0,25</b> 0,40



Einschraubfräser 95°P / CD.. 06  
Screw on type 95°P / CD.. 06



Abmessungen [mm] Dimension in [mm]						Artikelbezeichnung Item Code	Bestell-Nr. Order No	Verfüg. Availability	Platten Insert	Ersatzteile Spare parts	
*D <sub>c</sub>	d <sub>1</sub>	L	a <sub>p</sub>	z	M						
16	12,7	23	6	2	8	HMS95 CD06.016 Z02-M8	2260200	•	CDGS 06	Spann- schraube Fastening screw HKE17- 36167 5004400 MA = 1,2Nm	Torx- Schlüssel Torque wrench IP7 5000700
16	15,5	23	6	2	10	HMS95 CD06.016 Z02-M10	2260100	•			
20	17,7	30	6	3	10	HMS95 CD06.020 Z03-M10	2260300	•			
25	20,7	35	6	3	12	HMS95 CD06.025 Z03-M12	2260400	•			
25	20,7	35	6	4	12	HMS95 CD06.025 Z04-M12	2260500	•			
35	28,7	43	6	5	16	HMS95 CD06.035 Z05-M16	2260600	•			
42	28,7	43	6	6	16	HMS95 CD06.042 Z06-M16	2260700	•			

## WENDESCHNEIDPLATTEN / INSERTS

Bild & Zeichnung Image & Drawings	Artikelbezeichnung Item Code	Schneidstoffsorte Cutting materials	Bestell-Nr. Order No	Verfüg. Availability	Abmessungen [mm] Dimensions [mm]				
					l	d	s	d <sub>1</sub>	r
<p>N = 2</p>	■ CDGS 060210 TR-SH	HAH03M	2171400	•	5,8	6,5	2,38	2,9	1
	■ CDGS 060210 TR-SH	HAH10M	2171500	•	5,8	6,5	2,38	2,9	1
	■ CDGS 060210 TR-SH	HAH23M	2171600	•	5,8	6,5	2,38	2,9	1
	■ CDGS 060210 TR-SH	HAH30M	2171700	•	5,8	6,5	2,38	2,9	1
	■ CDGS 060210 TR-SW	HAH03M	2171800	•	1,72	6,5	2,38	2,9	1
	■ CDGS 060210 TR-SW	HAH10M	2171900	•	1,72	6,5	2,38	2,9	1

	Aufsteckfräser Face milling cutter	Einschraubfräser Screw on type
Ausführung Execution		
Durchmesserbereich metrisch Diameter range metric	Ø 42 - 80 mm	Ø 32 - 42 mm
Plattengröße Insert size	VC.. 22	VC.. 22

### Einzige Eigenschaften:

- Durch das spezielle Design der Fräserkörper ist unser Alunge-Fräswerkzeug für die Bearbeitung von Nichteisenmetallen optimiert und ermöglicht hohe Rampenwinkel.

### Unique Characteristics:

- Through the special design of cutter bodies, our Alunge milling tool is optimized for machining non-ferrous metals and allows for high ramping angles.

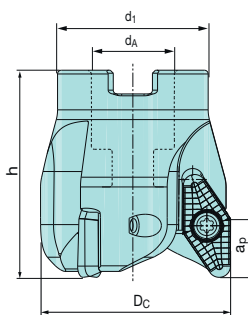
WSP Geometrie Insert geometry	VCGT 22	
	Schnitttiefe Cutting depth [mm] a <sub>p</sub> max	Vorschub Feed [mm] f <sub>z</sub>
NP	1,0 <b>7,5</b> 15,0	0,06 <b>0,18</b> 0,35

### Eintauchwinkel Ramping angle



Durchmesser Fräser Diameter Milling cutter	Eintauchwinkel max. α Ramping angle α max. VCGT 22
Ø 32	35°
Ø 42	23°
Ø 52	17°
Ø 66	12,5°
Ø 80	10°

Aufsteckfräser 90° / VC.. 22  
Face milling cutter 90° / VC.. 22



Abmessungen [mm] Dimensions [mm]						Artikelbezeichnung Item Code	Bestell-Nr. Order No	Verfüg. Availability	Ersatzteile Spare parts	
Dc	dA	d1	h	ap	z					
42	16	32	55	15	3	HMF90 VC22.042 Z03	2242900	•	Spann- schraube Fastening screw HKE13-56221 5004600 MA = 5Nm	Torx- Schlüssel Torque wrench IP20 5001200
52	22	40	55	15	3	HMF90 VC22.052 Z03	2243000	•		
66	27	50	56	15	4	HMF90 VC22.066 Z04	2243100	•		
80	27	60	56	15	4	HMF90 VC22.080 Z04	2243200	•		





	Aufsteckfräser 45° Face milling cutter 45°	Schafffräser 45° End milling cutter 45°	Einschraubfräser 45° Screw on type 45°
Ausführung Execution			
Durchmesserbereich metrisch Diameter range metric	Ø 40 - 160 mm	Ø 15 - 20 mm	Ø 10 - 42 mm
Durchmesserbereich inch Diameter range inch	Ø 1 1/2" - 5"	-	-
Plattengröße Insert size	RD.. 10, RD.. 12, RD.. 16	RD.. 07, RD.. 10	RD.. 05, RD.. 07, RD.. 10, RD.. 12, RD.. 16

**Einzigartige Eigenschaften:**

- Unser Werkzeugsystem eignet sich für die allgemeine Bearbeitung und Formenbau, mit einer breiten Palette von Wendeschneidplatten und Werkzeugen.
- Um eine optimale Konturgenauigkeit zu gewährleisten, verwenden wir eine neutrale Montageposition für die Wendeschneidplatte im Werkzeug.
- Der Sitz der Wendeschneidplatte ist speziell gegen Spanneinwirkungen an der Schneidkante geschützt.
- Trotz der neutralen Montageposition haben unsere Wendeschneidplatten aufgrund ihrer einzigartigen Geometrie ein sanftes Schneidverhalten.

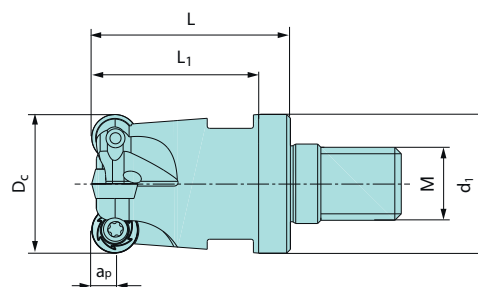
**Unique Characteristics:**

- Our tool system is suitable for general machining and mould construction, with a wide range of inserts and tools available.
- To ensure optimal contour precision, we use a neutral mounting position for the insert in the tool.
- The insert seat is specially protected against chip impact on the cutting edge of the insert.
- Despite the neutral mounting position, our inserts have a smooth cutting behavior thanks to their unique geometry.

WSP Geometrie Insert geometry	RD.. 0501		RD.. 0702		RD.. 1003	
	Schnitttiefe Cutting depth [mm] $a_p$ max	Vorschub Feed [mm] $f_z$	Schnitttiefe Cutting depth [mm] $a_p$ max	Vorschub Feed [mm] $f_z$	Schnitttiefe Cutting depth [mm] $a_p$ max	Vorschub Feed [mm] $f_z$
NR	0,25 <b>0,70</b> 1,20	0,14 <b>0,26</b> 0,50	0,25 <b>1,00</b> 1,70	0,14 <b>0,27</b> 0,60	0,28 <b>1,50</b> 2,50	0,15 <b>0,28</b> 0,64
NN	0,25 <b>0,70</b> 1,20	0,13 <b>0,23</b> 0,45	0,25 <b>1,00</b> 1,70	0,13 <b>0,24</b> 0,52	0,26 <b>1,50</b> 2,50	0,14 <b>0,25</b> 0,55
NK	0,25 <b>0,70</b> 1,20	0,15 <b>0,27</b> 0,53	0,25 <b>1,00</b> 1,70	0,15 <b>0,28</b> 0,63	0,28 <b>1,50</b> 2,50	0,16 <b>0,30</b> 0,67
SH	0,10 <b>0,18</b> 0,45	0,10 <b>0,20</b> 0,36	0,10 <b>0,20</b> 0,65	0,11 <b>0,22</b> 0,42	0,12 <b>0,22</b> 0,90	0,12 <b>0,28</b> 0,45
NH	0,10 <b>0,18</b> 0,45	0,10 <b>0,20</b> 0,36	0,10 <b>0,20</b> 0,65	0,11 <b>0,22</b> 0,42	0,12 <b>0,22</b> 0,90	0,12 <b>0,28</b> 0,45
DH	0,12 <b>0,24</b> 0,60	0,10 <b>0,22</b> 0,40	0,12 <b>0,25</b> 0,85	0,11 <b>0,25</b> 0,46	0,14 <b>0,28</b> 1,20	0,12 <b>0,30</b> 0,50

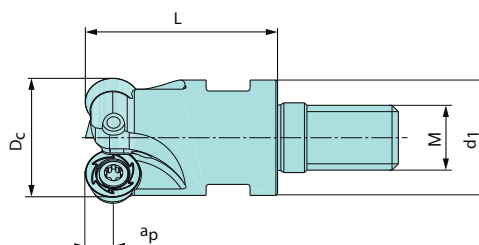
WSP Geometrie Insert geometry	RD.. 12T3		RD.. 1604	
	Schnitttiefe Cutting depth [mm] $a_p$ max	Vorschub Feed [mm] $f_z$	Schnitttiefe Cutting depth [mm] $a_p$ max	Vorschub Feed [mm] $f_z$
NR	0,30 <b>1,80</b> 3,00	0,16 <b>0,29</b> 0,70	0,30 <b>2,40</b> 4,00	0,18 <b>0,30</b> 0,75
NN	0,27 <b>1,80</b> 3,00	0,15 <b>0,25</b> 0,60	0,27 <b>2,40</b> 4,00	0,16 <b>0,25</b> 0,64
NK	0,30 <b>1,80</b> 3,00	0,18 <b>0,32</b> 0,75	0,30 <b>2,40</b> 4,00	0,18 <b>0,33</b> 0,80
MS	0,10 <b>1,25</b> 2,00	0,10 <b>0,25</b> 0,54	0,10 <b>1,60</b> 2,65	0,10 <b>0,28</b> 0,60
SH	0,12 <b>0,25</b> 1,10	0,13 <b>0,28</b> 0,50	0,12 <b>0,28</b> 1,60	0,14 <b>0,28</b> 0,50
NH	0,12 <b>0,25</b> 1,10	0,13 <b>0,28</b> 0,50	0,12 <b>0,28</b> 1,60	0,14 <b>0,28</b> 0,50
DH	0,14 <b>0,30</b> 1,50	0,13 <b>0,30</b> 0,56	0,15 <b>0,35</b> 2,00	0,14 <b>0,30</b> 0,56

Einschraubfräser ISO ROUND CUT konisch Form A / RD.. 05  
Screw on type ISO ROUND CUT conical form A / RD.. 05



Abmessungen [mm] Dimension [mm]							Artikelbezeichnung Item Code	Bestell-Nr. Order No	Verfüg. Availability	Platten Insert	Ersatzteile Spare parts		
Dc	d1	L	L1	ap	z	M							
10	13	23	17	2,5	2	8	HMSA00 RD05.010 Z02-M8	2260800	•	RD.. 05	HKE13-29148 5003600 MA = 0,5Nm	IP6 5000600	-
12	13	23	17	2,5	3	8	HMSA00 RD05.012 Z03-M8	2260900	•				

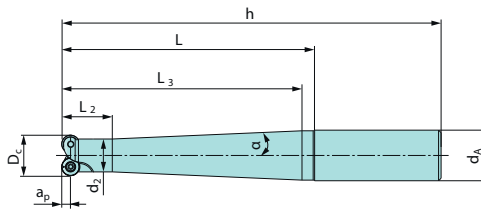
Einschraubfräser ISO ROUND CUT zylindrisch Form B / RD.. 05  
Screw on type ISO ROUND CUT cylindrical form B / RD.. 05



Abmessungen [mm] Dimension [mm]							Artikelbezeichnung Item Code	Bestell-Nr. Order No	Verfüg. Availability	Platten Insert	Ersatzteile Spare parts		
Dc	d1	L	ap	z	M								
15	13	23	2,5	4	8	HMSB00 RD05.015 Z04-M8	2261500	•	RD.. 05	HKE13-29148 5003600 MA = 0,5Nm	IP6 5000600	-	
16	13	23	2,5	4	8	HMSB00 RD05.016 Z04-M8	2261600	•					
20	18	30	2,5	5	10	HMSB00 RD05.020 Z05-M10	2261700	•					
25	21	35	2,5	6	12	HMSB00 RD05.025 Z06-M12	2261800	•					

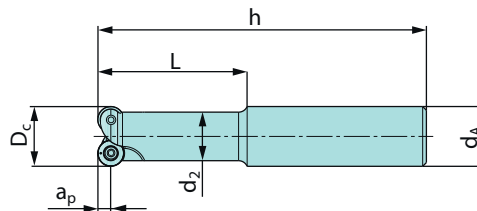
Bild & Zeichnung Image & Drawings	Artikelbezeichnung Item Code	Schneidstoffsorte Cutting materials	Bestell-Nr. Order No	Verfüg. Availability	Abmessungen [mm] Dimensions [mm]		
					d	s	d <sub>1</sub>
	■ RDKW 0501 MOS-NR	HAP20M	2142900	•	5	1,5	2,2
	■ RDKW 0501 MOS-NR	HAP25M	2143000	•	5	1,5	2,2
	■ RDKW 0501 MOS-NN	HAM35M	2142700	•	5	1,5	2,2
	■ RDKW 0501 MOS-NN	HAM40M	2142800	•	5	1,5	2,2
	■ RDKW 0501 MOS-NK	HAK15M	2142500	•	5	1,5	2,2
	■ RDKW 0501 MOS-NK	HAK20M	2142600	•	5	1,5	2,2
	■ RDHW 0501 MOS-SH	HAH03M	2139400	•	5	1,5	2,2
	■ RDKW 0501 MOS-OH	HAH05M	2142300	•	5	1,5	2,2
	■ RDKW 0501 MOS-OH	HAH10M	2142400	•	5	1,5	2,2
	■ RDKW 0501 MOS-DH	HAH30M	2143100	•	5	1,5	2,2

Schafffräser ISO ROUND CUT konisch Form A / RD.. 07  
End milling cutter ISO ROUND CUT conical form A / RD.. 07



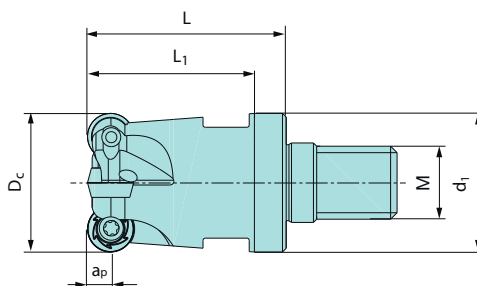
Abmessungen [mm] Dimension [mm]											Artikelbezeichnung Item Code	Schaft Shank	Bestell-Nr. Ordering- No	Verfüg. Availability	Platten Insert	Ersatzteile Spare parts	
Dc	dA	d2	L	h	α <sub>p</sub>	z	α	L2	L3								
15	16	13	60	108	3,5	2	2,0°	20	55	HMEA00 RD07.015 Z02-108	SS	2212800	•	RD.. 07	HKEI3-36166 5003700 MA = 2Nm	IP7 5000700	
15	20	13	80	130	3,5	2	3,4°	20	75	HMEA00 RD07.015 Z02-130	SS	2212900	•				
15	20	13	100	150	3,5	2	2,5°	20	95	HMEA00 RD07.015 Z02-150	SS	2213000	•				
15	25	13	120	176	3,5	2	3,5°	20	115	HMEA00 RD07.015 Z02-176	SS	2213100	•				
16	16	13	60	108	3,5	2	2,0°	20	55	HMEA00 RD07.016 Z02-108	SS	2213200	•				
16	20	13	80	130	3,5	2	3,4°	20	75	HMEA00 RD07.016 Z02-130	SS	2213300	•				
16	20	13	100	150	3,5	2	2,5°	20	95	HMEA00 RD07.016 Z02-150	SS	2213400	•				
16	25	13	120	176	3,5	2	3,5°	20	115	HMEA00 RD07.016 Z02-176	SS	2213500	•				

Schafffräser ISO ROUND CUT zylindrisch Form B / RD.. 07  
 End milling cutter ISO ROUND CUT cylindrical form B / RD.. 07



Abmessungen [mm] Dimension [mm]							Artikelbezeichnung Item Code	Schaff Shank	Bestell-Nr. Ordering- No	Verfüg. Availability	Platten Insert	Ersatzteile Spare parts	
Dc	dA	d2	L	h	ap	z							
15	16	13	40	88	3,5	2	HMEB00 RD07.015 Z02-088	SS	2215100	•	RD.. 07	HKE13-36166 5003700 MA = 2Nm	IP7 5000700
16	16	13	40	88	3,5	2	HMEB00 RD07.016 Z02-088	SS	2215200	•			

Einschraubfräser ISO ROUND CUT konisch Form A / RD.. 07  
 Screw on type ISO ROUND CUT conical form A / RD.. 07

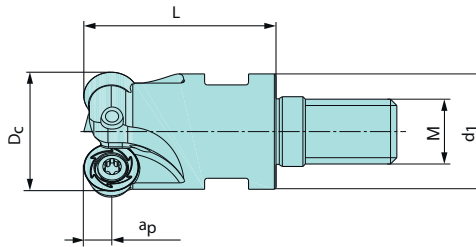


Abmessungen [mm] Dimension [mm]								Artikelbezeichnung Item Code	Bestell-Nr. Order No	Verfüg. Availability	Platten Insert	Ersatzteile Spare parts	
Dc	d1	L	L1	ap	z	M							
30	29	43	38	3,5	5	16	HMSA00 RD07.030 Z05-M16	2261000	•	RD.. 07	HKE13-36166 5003700 MA = 2Nm	IP7 5000700	-

# ISO ROUND CUT



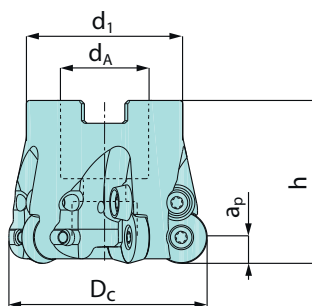
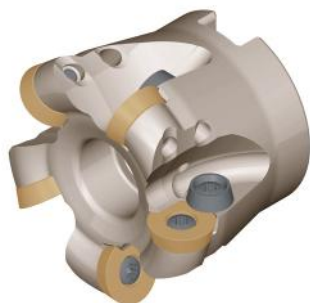
Einschraubfräser ISO ROUND CUT zylindrisch Form B / RD.. 07  
Screw on type ISO ROUND CUT cylindrical form B / RD.. 07



Abmessungen [mm] Dimension [mm]						Artikelbezeichnung Item Code	Bestell-Nr. Order No	Verfüg. Availability	Platten Insert	Ersatzteile Spare parts		
Dc	d1	L	$\alpha_p$	z	M							
15	13	23	3,5	2	8	HMSB00 RD07.015 Z02-M8	2261900	•	RD.. 07	Spannschraube Fastening screw HKE13- 36166 5003700 MA= 2Nm	Torx- Schlüssel Torque wrench IP7 5000700	-
15	13	23	3,5	3	8	HMSB00 RD07.015 Z03-M8	2262000	•				
16	13	23	3,5	2	8	HMSB00 RD07.016 Z02-M8	2262100	•				
16	13	23	3,5	3	8	HMSB00 RD07.016 Z03-M8	2262200	•				
20	18	30	3,5	4	10	HMSB00 RD07.020 Z04-M10	2262300	•				
25	21	35	3,5	5	12	HMSB00 RD07.025 Z05-M12	2262400	•				
32	29	43	3,5	6	16	HMSB00 RD07.032 Z06-M16	2262500	•				
35	29	43	3,5	6	16	HMSB00 RD07.035 Z06-M16	2262600	•				

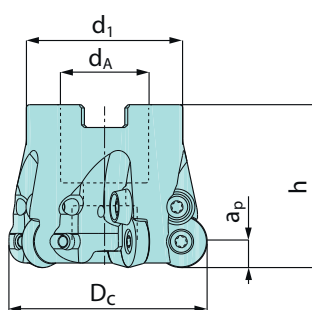
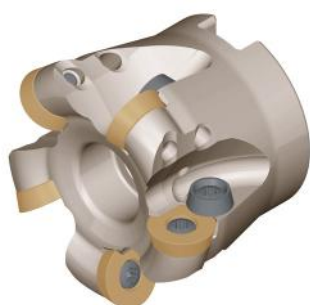
Bild & Zeichnung Image & Drawings	Artikelbezeichnung Item Code	Schneidstoffsorte Cutting materials	Bestell-Nr. Order No	Verfüg. Availability	Abmessungen [mm] Dimensions [mm]		
					d	s	d1
	■ RDKW 0702 MOS-NR	HAP20M	2143800	•	7	2,38	2,7
	■ RDKW 0702 MOS-NR	HAP25M	2143900	•	7	2,38	2,7
	■ RDKW 0702 MOS-NR	HAP30M	2144000	•	7	2,38	2,7
	■ RDKW 0702 MOS-NR	HAP35M	2144100	•	7	2,38	2,7
	■ RDKW 0702 MOS-NN	HAM35M	2143600	•	7	2,38	2,7
	■ RDKW 0702 MOS-NN	HAM40M	2143700	•	7	2,38	2,7
	■ RDKW 0702 MOS-NK	HAK15M	2143400	•	7	2,38	2,7
	■ RDKW 0702 MOS-NK	HAK20M	2143500	•	7	2,38	2,7
	■ RDHW 0702 MOS-SH	HAH03M	2139500	•	7	2,38	2,7
	■ RDHW 0702 MOS-OH	HAH05M	2139600	•	7	2,38	2,7
	■ RDHW 0702 MOS-OH	HAH10M	2139700	•	7	2,38	2,7
	■ RDHW 0702 MOS-DH	HAH30M	2139800	•	7	2,38	2,7
	■ RDKW 0702 MOS-OH	HAH05M	2143200	•	7	2,38	2,7
	■ RDKW 0702 MOS-OH	HAH10M	2143300	•	7	2,38	2,7
■ RDKW 0702 MOS-DH	HAH30M	2144200	•	7	2,38	2,7	

Aufsteckfräser ISO ROUND CUT / RD.. 10  
Face milling cutter ISO ROUND CUT / RD.. 10



Abmessungen [mm] Dimension [mm]						Artikelbezeichnung Item Code	Bestell-Nr. Order No	Verfüg. Availability	Platten Insert	Ersatzteile Spare parts		
Dc	dA	d1	h	ap	z							
40	16	32	40	5	5	HMF00 RD10.040 Z05	2218700	•	RD.. 10	HKE13-46183 5003800 MA = 3,5Nm	IP15 5001100	-
42	16	32	40	5	5	HMF00 RD10.042 Z05	2218800	•				
52	22	40	50	5	5	HMF00 RD10.052 Z05	2218900	•				
52	22	40	50	5	7	HMF00 RD10.052 Z07	2219000	•				

Aufsteckfräser ISO ROUND CUT / RD.. 10 / INCH  
Face milling cutter ISO ROUND CUT / RD.. 10 / INCH



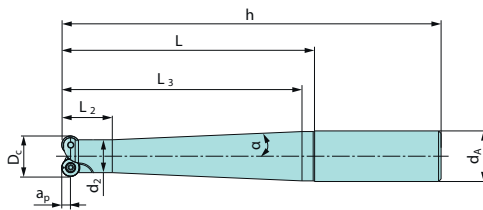
Abmessungen [INCH] Dimension [INCH]						Artikelbezeichnung Item Code	Bestell-Nr. Order No	Verfüg. Availability	Platten Insert	Ersatzteile Spare parts		
Dc	dA	d1	h	ap	z							
1.5	0.75	1.375	1.5	0.197	5	HMFU00 RD10.1500 Z05-INCH	2246100	•	RD.. 10	HKE13-46183 5003800 MA = 3,5Nm	IP15 5001100	-
2.0	0.75	1.700	2.0	0.197	7	HMFU00 RD10.2000 Z07-INCH	2246200	•				



# ISO ROUNDCUT

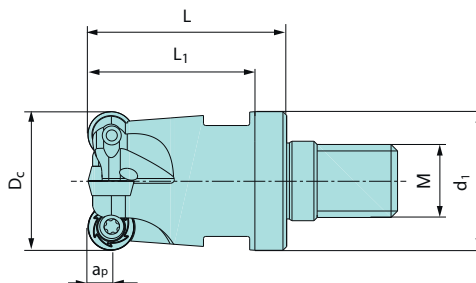


Schafffräser ISO ROUNDCUT konisch Form A / RD.. 10  
End milling cutter ISO ROUNDCUT conical form A / RD.. 10



Abmessungen [mm] Dimension [mm]										Artikelbezeichnung Item Code	Schaff Shank	Bestell-Nr. Ordering- No	Verfüg. Availability	Platten Insert	Ersatzteile Spare parts	
Dc	dA	d2	L	h	ap	z	a	L2	L3							
20	20	18	40	90	5	2	2,9°	20	35	HMEA00 RD10.020 Z02-090	SS	2213600	•	RD.. 10	HKEI3-46183 5003800 MA = 3,5Nm	IP15 5001100
20	20	18	60	110	5	2	1,3°	20	55	HMEA00 RD10.020 Z02-110	SS	2213700	•			
20	25	18	80	136	5	2	3,4°	20	75	HMEA00 RD10.020 Z02-136	SS	2213800	•			
20	25	18	100	156	5	2	2,5°	20	95	HMEA00 RD10.020 Z02-156	SS	2213900	•			
20	25	18	120	176	5	2	2,0°	20	115	HMEA00 RD10.020 Z02-176	SS	2214000	•			

Einschraubfräser ISO ROUNDCUT konisch Form A / RD.. 10  
Screw on type ISO ROUNDCUT conical form A / RD.. 10

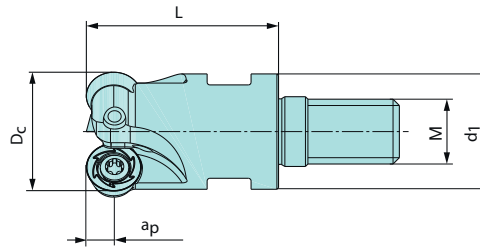


Abmessungen [mm] Dimension [mm]							Artikelbezeichnung Item Code	Bestell-Nr. Order No	Verfüg. Availability	Platten Insert	Ersatzteile Spare parts		
Dc	d1	L	L1	ap	z	M							
30	29	43	38	5	4	16	HMSA00 RD10.030 Z04-M16	2261100	•	RD.. 10	HKEI3-46183 5003800 MA = 3,5Nm	IP15 5001100	-
32	29	43	38	5	4	16	HMSA00 RD10.032 Z04-M16	2261200	•				

# ISO ROUND CUT

heikenei.com

Einschraubfräser ISO ROUND CUT zylindrisch Form B / RD.. 10  
Screw on type ISO ROUND CUT cylindrical form B / RD.. 10



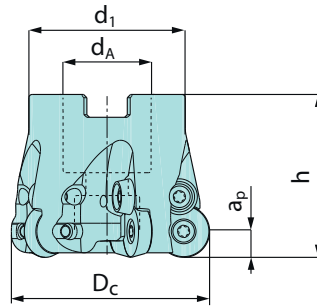
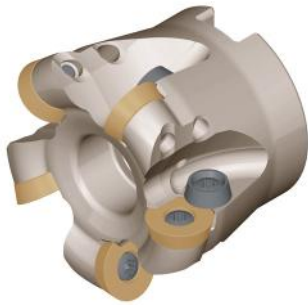
Abmessungen [mm] Dimension [mm]						Artikelbezeichnung Item Code	Bestell-Nr. Order No	Verfüg. Availability	Platten Insert	Ersatzteile Spare parts		
Dc	d1	L	ap	z	M							
20	18	30	5	2	10	HMSB00 RD10.020 Z02-M10	2262700	•	RD.. 10	Spannschraube Fastening screw HKE13-46183 5003800 MA=3,5Nm	Torx-Schlüssel Torque wrench IP15 5001100	-
25	21	35	5	3	12	HMSB00 RD10.025 Z03-M12	2262800	•				
35	29	43	5	4	16	HMSB00 RD10.035 Z04-M16	2262900	•				
35	29	43	5	5	16	HMSB00 RD10.035 Z05-M16	2263000	•				
40	29	43	5	5	16	HMSB00 RD10.040 Z05-M16	2263100	•				
42	29	43	5	5	16	HMSB00 RD10.042 Z05-M16	2263200	•				
42	29	43	5	6	16	HMSB00 RD10.042 Z06-M16	2263300	•				

Bild & Zeichnung Image & Drawings	Artikelbezeichnung Item Code	Schneidstoffsorte Cutting materials	Bestell-Nr. Order No	Verfüg. Availability	Abmessungen [mm] Dimensions [mm]		
					d	s	d1
	■ RDKW 1003 MOS-NR	HAP20M	2144900	•	10	3,18	3,9
	■ RDKW 1003 MOS-NR	HAP25M	2145000	•	10	3,18	3,9
	■ RDKW 1003 MOS-NR	HAP30M	2145100	•	10	3,18	3,9
	■ RDKW 1003 MOS-NR	HAP35M	2145200	•	10	3,18	3,9
	■ RDKW 1003 MOS-NN	HAM35M	2144700	•	10	3,18	3,9
	■ RDKW 1003 MOS-NN	HAM40M	2144800	•	10	3,18	3,9
	■ RDKW 1003 MOS-NK	HAK15M	2144500	•	10	3,18	3,9
	■ RDKW 1003 MOS-NK	HAK20M	2144600	•	10	3,18	3,9
	■ RDHW 1003 MOS-SH	HAH03M	2139900	•	10	3,18	3,9
	■ RDHW 1003 MOS-OH	HAH05M	2140000	•	10	3,18	3,9
	■ RDHW 1003 MOS-OH	HAH10M	2140100	•	10	3,18	3,9
	■ RDHW 1003 MOS-DH	HAH30M	2140200	•	10	3,18	3,9
	■ RDKW 1003 MOS-OH	HAH05M	2144300	•	10	3,18	3,9
	■ RDKW 1003 MOS-OH	HAH10M	2144400	•	10	3,18	3,9
	■ RDKW 1003 MOS-DH	HAH30M	2145300	•	10	3,18	3,9

# ISO ROUNDCUT

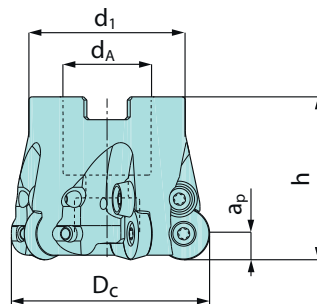
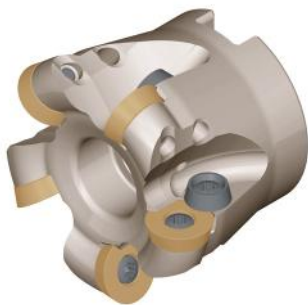


Aufsteckfräser ISO ROUNDCUT / RD.. 12  
Face milling cutter ISO ROUNDCUT / RD.. 12



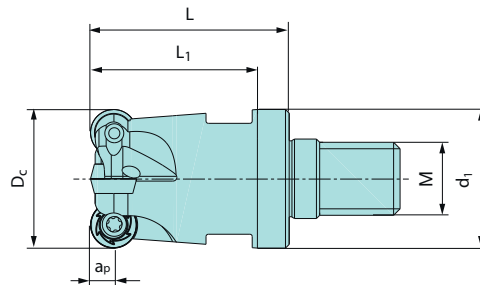
Abmessungen [mm] Dimension [mm]						Artikelbezeichnung Item Code	Bestell-Nr. Order No	Verfüg. Availability	Platten Insert	Ersatzteile Spare parts		
Dc	dA	d1	h	ap	z							
42	16	32	40	6	4	HMF00 RD12.042 Z04	2219100	•	RD.. 12	Torx-Schlüssel Torque wrench HKE13-46197 5003900 MA = 3,5Nm	Torx-Schlüssel Torque wrench IP15 5001100	Spannschraube-Clamping screw RD12 5004800
48	22	40	50	6	4	HMF00 RD12.048 Z04	2219200	•				
50	22	40	50	6	5	HMF00 RD12.050 Z05	2219300	•				
52	22	40	50	6	5	HMF00 RD12.052 Z05	2219400	•				
63	27	48	50	6	6	HMF00 RD12.063 Z06	2219500	•				
66	27	48	50	6	6	HMF00 RD12.066 Z06	2219600	•				
80	27	60	52	6	7	HMF00 RD12.080 Z07	2219700	•				

Aufsteckfräser ISO ROUNDCUT / RD.. 12 / INCH  
Face milling cutter ISO ROUNDCUT / RD.. 12 / INCH



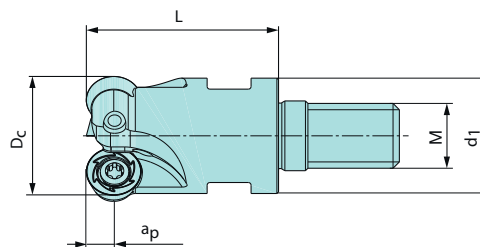
Abmessungen [INCH] Dimension [INCH]						Artikelbezeichnung Item Code	Bestell-Nr. Order No	Verfüg. Availability	Platten Insert	Ersatzteile Spare parts		
Dc	dA	d1	h	ap	z							
2.0	0.75	1.70	2.0	0.236	5	HMFU00 RD12.2000 Z05-INCH	2246300	○	RD.. 12	Spannschraube Fastening screw HKE13-46197 5003900 MA = 3,5Nm	Torx-Schlüssel Torque wrench IP15 5001100	Spannschraube Clamping screw RD12 5004800
2.5	1.00	2.20	2.0	0.236	6	HMFU00 RD12.2500 Z06-INCH	2246400	○				
3.0	1.00	2.30	2.0	0.236	7	HMFU00 RD12.3000 Z07-INCH	2246500	○				

## Einschraubfräser ISO ROUND CUT konisch Form A / RD.. 12



Abmessungen [mm] Dimension [mm]							Artikelbezeichnung Item Code	Bestell-Nr. Order No	Verfüg. Availability	Platten Insert	Ersatzteile Spare parts		
Dc	d1	L	L1	ap	z	M							
32	29	43	38	6	3	16	HMSA00 RD12.032 Z03-M16	2261300	•	RD.. 12	Spannschraube Fastening screw HKE13-46197 5003900 MA = 3,5Nm	Torx-Schlüssel Torque wrench IP15 5001100	Spannschraube- Clamping screw RD12 5004800

## Einschraubfräser ISO ROUND CUT zylindrisch Form B / RD.. 12 Screw on type ISO ROUND CUT cylindrical form B / RD.. 12



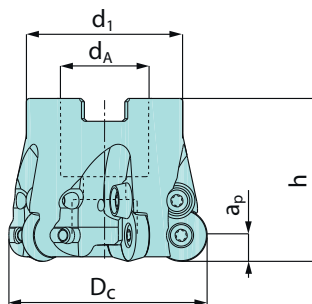
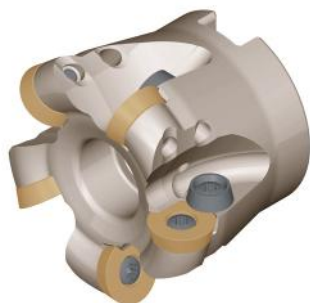
Abmessungen [mm] Dimension [mm]						Artikelbezeichnung Item Code	Bestell-Nr. Order No	Verfüg. Availability	Platten Insert	Ersatzteile Spare parts		
Dc	d1	L	ap	z	M							
24	21	33	6	2	12	HMSB00 RD12.024 Z02-M12	2263400	o	RD.. 12	Spannschraube Fastening screw HKE13-46197 5003900 MA = 3,5Nm	Torx-Schlüssel Torque wrench IP15 5001100	Spannschraube Clamping screw RD12 5004800
25	21	35	6	2	12	HMSB00 RD12.025 Z02-M12	2263500	•				
35	29	43	6	3	16	HMSB00 RD12.035 Z03-M16	2263600	•				
40	29	43	6	2	16	HMSB00 RD12.040 Z04-M16	2263700	•				
42	29	43	6	4	16	HMSB00 RD12.042 Z04-M16	2263800	•				

# ISO ROUNDCUT



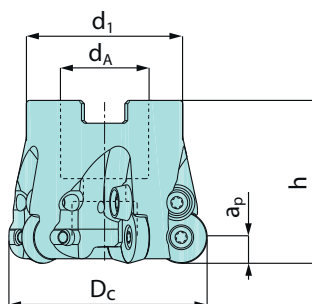
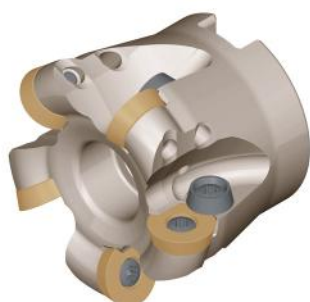
Bild & Zeichnung Image & Drawings	Artikelbezeichnung Item Code	Schneidstoffsorte Cutting materials	Bestell-Nr. Order No	Verfüg. Availability	Abmessungen [mm] Dimensions [mm]		
					d	s	d <sub>1</sub>
	RDKT 12T3 MOS-NR	HAP20M	2141300	•	12	3,97	3,9
	RDKT 12T3 MOS-NR	HAP25M	2141400	•	12	3,97	3,9
	RDKT 12T3 MOS-NR	HAP30M	2141500	•	12	3,97	3,9
	RDKT 12T3 MOS-NR	HAP35M	2141600	•	12	3,97	3,9
	RDHT 12T3 MO-NN	HAM35M	2139000	•	12	3,97	3,9
	RDHT 12T3 MO-NN	HAM40M	2139100	•	12	3,97	3,9
	RDKT 12T3 MOS-NN	HAM35M	2141100	•	12	3,97	3,9
	RDKT 12T3 MOS-NN	HAM40M	2141200	•	12	3,97	3,9
	RDHT 12T3 MO-NU	HAS35M	2139200	○	12	3,97	3,9
	RDKW 12T3 MOS-NR	HAP20M	2145800	•	12	3,97	3,9
	RDKW 12T3 MOS-NR	HAP25M	2145900	•	12	3,97	3,9
	RDKW 12T3 MOS-NR	HAP30M	2146000	•	12	3,97	3,9
	RDKW 12T3 MOS-NR	HAP35M	2146100	•	12	3,97	3,9
	RDKW 12T3 MOS-NK	HAK15M	2145600	•	12	3,97	3,9
	RDKW 12T3 MOS-NK	HAK20M	2145700	•	12	3,97	3,9
	RDHW 12T3 MOS-SH	HAH03M	2140300	•	12	3,97	3,9
	RDHW 12T3 MOS-OH	HAH05M	2140400	•	12	3,97	3,9
	RDHW 12T3 MOS-OH	HAH10M	2140500	•	12	3,97	3,9
	RDHW 12T3 MOS-DH	HAH30M	2140600	•	12	3,97	3,9
	RDKW 12T3 MOS-OH	HAH05M	2145400	•	12	3,97	3,9
	RDKW 12T3 MOS-OH	HAH10M	2145500	•	12	3,97	3,9
	RDKW 12T3 MOS-DH	HAH30M	2146200	•	12	3,97	3,9

Aufsteckfräser ISO ROUNDCUT / RD.. 16  
Face milling cutter ISO ROUNDCUT / RD.. 16



Abmessungen [mm] Dimension [mm]						Artikelbezeichnung Item Code	Bestell-Nr. Order No	Verfüg. Availability	Platten Insert	Ersatzteile Spare parts		
Dc	dA	d1	h	ap	z							
50	22	40	50	8	4	HMF00 RD16.050 Z04	2219800	•	RD.. 16	Spannschraube Fastening screw HKE13-56216 5004100 MA = 5Nm	Torx-Schlüssel Torque wrench IP20 5001200	Spannsystem Clamping system: Klemmplatte Clamp 5004900 Spannschraube Clamping screw 5004100
52	22	40	50	8	4	HMF00 RD16.052 Z04	2219900	•				
63	27	48	50	8	5	HMF00 RD16.063 Z05	2220000	•				
66	27	48	50	8	5	HMF00 RD16.066 Z05	2220100	•				
66	27	48	50	8	6	HMF00 RD16.066 Z06	2220200	◦				
80	27	60	52	8	6	HMF00 RD16.080 Z06	2220300	•				
80	27	60	52	8	7	HMF00 RD16.080 Z07	2220400	•				
100	32	75	52	8	7	HMF00 RD16.100 Z07	2220500	•				
125	40	90	63	8	8	HMF00 RD16.125 Z08	2220600	•				
160	40	120	63	8	9	HMF00 RD16.160 Z09	2220700	•				

Aufsteckfräser ISO ROUNDCUT / RD.. 16 / INCH  
Face milling cutter ISO ROUNDCUT / RD.. 16 / INCH

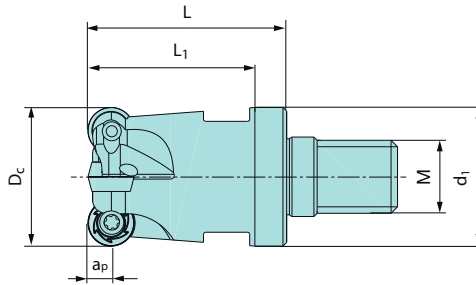


Abmessungen [INCH] Dimension [INCH]						Artikelbezeichnung Item Code	Bestell-Nr. Order No	Verfüg. Availability	Platten Insert	Ersatzteile Spare parts		
Dc	dA	d1	h	ap	z							
2.0	0.75	1.70	2.0	0.315	4	HMFU00 RD16.2000 Z04-INCH	2246600	◦	RD.. 16	Spannschraube Fastening screw HKE13-56216 5004100 MA = 5Nm	Torx-Schlüssel Torque wrench IP20 5001200	Spannsystem Clamping system: Klemmplatte Clamp 5004900 Spannschraube Clamping screw 5004100
2.5	1.00	2.20	2.0	0.315	5	HMFU00 RD16.2500 Z05-INCH	2246700	◦				
3.0	1.00	2.30	2.0	0.315	6	HMFU00 RD16.3000 Z06-INCH	2246800	◦				
4.0	1.50	3.10	2.0	0.315	7	HMFU00 RD16.4000 Z07-INCH	2246900	◦				
5.0	1.50	3.50	2.5	0.315	8	HMFU00 RD16.5000 Z08-INCH	2247000	◦				

# ISO ROUND CUT

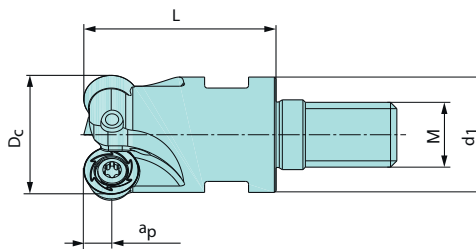


Einschraubfräser ISO ROUND CUT konisch Form A / RD.. 16  
Screw on type ISO ROUND CUT conical form A / RD.. 16



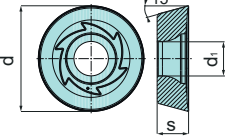

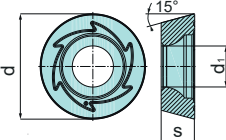

Abmessungen [mm] Dimension [mm]							Artikelbezeichnung Item Code	Bestell-Nr. Order No	Verfüg. Availability	Platten Insert	Ersatzteile Spare parts		
Dc	d1	L	L1	ap	z	M							
32	29	43	38	8	2	16	HMSA00 RD16.032 Z02-M16	2261400	•	RD.. 16	Spannschraube Fastening screw HKE13-56216 5004100 MA = 5Nm	Torx-Schlüssel Torque wrench IP20 5001200	Spannsystem Clamping system: Klemmplatte Clamp 5004900 Spannschraube Clamping screw 5004100



Einschraubfräser ISO ROUND CUT zylindrisch Form B / RD.. 16  
Screw on type ISO ROUND CUT cylindrical form B / RD.. 16



Abmessungen [mm] Dimension [mm]						Artikelbezeichnung Item Code	Bestell-Nr. Order No	Verfüg. Availability	Platten Insert	Ersatzteile Spare parts		
Dc	d1	L	ap	z	M							
32	29	43	8	2	16	HMSB00 RD16.032 Z02-M16	2263900	o	RD.. 16	Spannschraube Fastening screw HKE13-56216 5004100 MA = 5Nm	Torx-Schlüssel Torque wrench IP20 5001200	Spannsystem Clamping system: Klemmplatte Clamp 5004900 Spannschraube Clamping screw 5004100
40	29	43	8	2	16	HMSB00 RD16.040 Z02-M16	2264000	•				



Bild & Zeichnung Image & Drawings	Artikelbezeichnung Item Code	Schneidstoffsorte Cutting materials	Bestell-Nr. Order No	Verfüg. Availability	Abmessungen [mm] Dimensions [mm]		
					d	s	d <sub>1</sub>
 	■ RDKT 1604 MOS-NR	HAP20M	2141900	●	16	4,76	5,2
	■ RDKT 1604 MOS-NR	HAP25M	2142000	●	16	4,76	5,2
	■ RDKT 1604 MOS-NR	HAP30M	2142100	●	16	4,76	5,2
	■ RDKT 1604 MOS-NR	HAP35M	2142200	●	16	4,76	5,2
	■ RDKT 1604 MOS-NN	HAM35M	2141700	●	16	4,76	5,2
	■ RDKT 1604 MOS-NN	HAM40M	2141800	●	16	4,76	5,2
	■ RDHT 1604 MO-NU	HAS35M	2139300	○	16	4,76	5,2
 	■ RDKW 1604 MOS-NR	HAP20M	2146700	●	16	4,76	5,2
	■ RDKW 1604 MOS-NR	HAP25M	2146800	●	16	4,76	5,2
	■ RDKW 1604 MOS-NR	HAP30M	2146900	●	16	4,76	5,2
	■ RDKW 1604 MOS-NR	HAP35M	2147000	●	16	4,76	5,2
	■ RDKW 1604 MOS-NK	HAK15M	2146500	●	16	4,76	5,2
	■ RDKW 1604 MOS-NK	HAK20M	2146600	●	16	4,76	5,2
	■ RDHW 1604 MOS-SH	HAH03M	2140700	●	16	4,76	5,2
	■ RDHW 1604 MOS-OH	HAH05M	2140800	●	16	4,76	5,2
	■ RDHW 1604 MOS-OH	HAH10M	2140900	●	16	4,76	5,2
	■ RDHW 1604 MOS-DH	HAH30M	2141000	●	16	4,76	5,2
	■ RDKW 1604 MOS-OH	HAH05M	2146300	●	16	4,76	5,2
	■ RDKW 1604 MOS-OH	HAH10M	2146400	●	16	4,76	5,2
	■ RDKW 1604 MOS-DH	HAH30M	2147100	●	16	4,76	5,2

	Aufsteckfräser Face milling cutter	Schaftfräser End milling cutter	Einschraubfräser Screw on type
Ausführung Execution			
Durchmesserbereich metrisch Diameter range metric	Ø 40 - 80 mm	Ø 25 mm	Ø 20 - 40 mm
Plattengröße Insert size	RP.. 12	RP.. 10	RP.. 10

**Einzige Eigenschaften:**

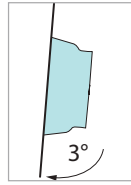
- Speziell angepasste Schneidstoffe und Trägermaterialien sind für Kopierfräsmaschinen mit einer speziellen Einsatzgestaltung zur Vermeidung von Verdrehungen konzipiert.
- Unser Werkzeug verfügt über zwei grundlegende Geometrien, um die Leistung und Ergebnisse zu optimieren, sowie ein einzigartiges Indexierungssystem für eine einfache Handhabung.
- Darüber hinaus verfügt unser Werkzeug über eine ungleiche Unterteilung, um Vibrationen zu reduzieren und eine äußerst glatte Oberfläche zu erzielen.
- Optimierte Chipkammern sorgen für einen optimalen Spantransport und ermöglichen hohe Schneiddaten und -volumina.
- Unser Werkzeug eignet sich besonders gut für die Bearbeitung von Turbinenschaufeln.

**Unique Characteristics:**

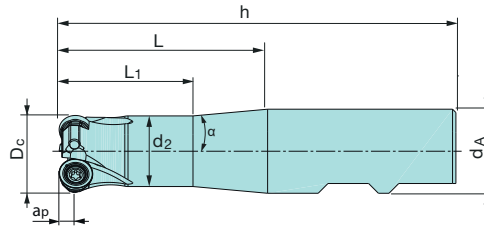
- Specially adapted cutting materials and supports are designed for copy milling machines, with a special insert design to prevent twisting.
- Our tool features two basic geometries to optimize performance and results, as well as a unique indexation system for easy handling.
- Additionally, our tool has an unequal division to reduce vibration and achieve an extremely smooth finish.
- Optimized chip chambers ensure optimal chip transport, allowing for high cutting data and volume.
- Our tool is particularly well-suited for turbine blade machining.

WSP Geometrie Insert geometry	RPMX 10		RPMX 12	
	Schnitttiefe Cutting depth [mm] ap max	Vorschub Feed [mm] fz	Schnitttiefe Cutting depth [mm] ap max	Vorschub Feed [mm] fz
NU	0,3 <b>0,75</b> 1,25	0,14 <b>0,23</b> 0,55	0,5 <b>1,25</b> 2,0	0,18 <b>0,25</b> 0,6

Schaftfräser / RP.. 10  
End milling cutter / RP.. 10

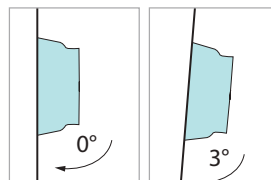


HME03



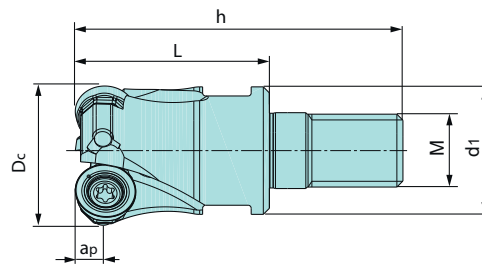
Abmessungen [mm] Dimensions [mm]									Artikelbezeichnung Item Code	Schaft Shank	Bestell-Nr. Ordering- No	Verfüg. Availability	Ersatzteile Spare parts			
Dc	dA	d2	L	L1	a	h	ap	z								
25	25	21	60	39,8	10,2	118	5	3	HME03 RP10.025 Z03	SW	2204200	o	Spannschraube Fastening screw HKE13-46183 5003800 MA = 3,5Nm	Torx- Schlüssel Torque wrench IP15 5001100		

Einschraubfräser / RP.. 10  
Screw on type / RP.. 10



HMS00

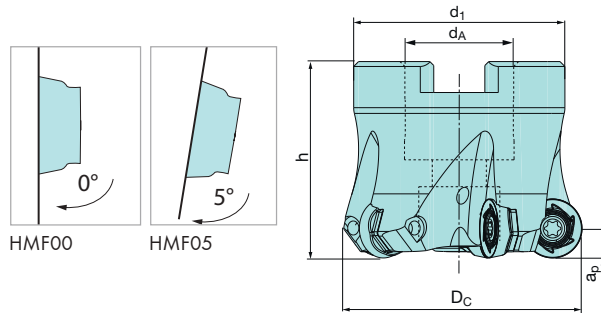
HMS03



Abmessungen [mm] Dimensions [mm]						Artikelbezeichnung Item Code	Bestell-Nr. Order No	Verfüg. Availability	Ersatzteile Spare parts			
Dc	dA	L	ap	M	z							
32	29	40	5	16	4	HMS00 RP10.032 Z04-M16	2255400	o	Spann- schraube Fastening screw HKE13-46197 5003900 MA = 3,5Nm	Torx- Schlüssel Torque wrench IP15 5001100		
40	29	43	5	16	5	HMS00 RP10.040 Z05-M16	2255500	=				
25	21	32	5	12	3	HMS03 RP10.025 Z03-M12	2255600	=				
32	29	40	5	16	4	HMS03 RP10.032 Z04-M16	2255700	=				

Bild & Zeichnung Image & Drawings	Artikelbezeichnung Item Code	Schneidstoffsorte Cutting materials	Bestell-Nr. Order No	Verfüg. Availability	Abmessungen [mm] Dimensions [mm]		
					d	s	d <sub>1</sub>
 <p>N = 8</p>	■ RMX 10T3M0 NU	HAS35M	2181300	•	10	3,97	3,9
	■ RMX 10T3M0 NU	HAS40M	2181200	•	10	3,97	3,9

Aufsteckfräser / RP.. 12  
Face milling cutter / RP.. 12



Abmessungen [mm] Dimensions [mm]						Artikelbezeichnung Item Code	Bestell-Nr. Order No	Verfüg. Availability	Ersatzteile Spare parts	
Dc	dA	d1	h	ap	z					
40	16	35	40	6	4	HMF00 RP12.040 Z04	2220800	o	Spannschraube Fastening screw HKE13-46197 5003900 MA = 3,5Nm	Torx-Schlüssel Torque wrench IP15 5001100
42	16	35	40	6	4	HMF00 RP12.042 Z04	2220900	o		
50	22	43	40	6	5	HMF00 RP12.050 Z05	2221000	=		
52	22	43	40	6	5	HMF00 RP12.052 Z05	2221100	=		
63	22	48	40	6	6	HMF00 RP12.063 Z06	2221200	o		
80	27	60	50	6	8	HMF00 RP12.080 Z08	2221300	o		
40	16	35	40	6	4	HMF05 RP12.040 Z04	2221400	=		
50	22	43	40	6	5	HMF05 RP12.050 Z05	2221500	=		
52	22	43	40	6	5	HMF05 RP12.052 Z05	2221600	=		
63	22	48	40	6	6	HMF05 RP12.063 Z06	2221700	=		
80	27	60	50	6	8	HMF05 RP12.080 Z08	2221800	=		

Bild & Zeichnung Image & Drawings	Artikelbezeichnung Item Code	Schneidstoffsorte Cutting materials	Bestell-Nr. Order No	Verfüg. Availability	Abmessungen [mm] Dimensions [mm]		
					d	s	d1
	■ RPMX 1204M0 NU	HAS35M	2181500	•	12	4,76	3,9
	■ RPMX 1204M0 NU	HAS40M	2181400	•	12	4,76	3,9

N = 6



# SCHNITTWERTEMPFEHLUNGEN 3D FRÄSEN

## CUTTING DATA RECOMMENDATIONS 3D MILLING

heikenei.com

		HARDNESS	Kühlung Cooling			Schnittdaten $v_c$ [m/min] Cutting data $v_c$ [m/min]			
			Luft Air	Trocken Dry	Nass Wet	HAP20M# HAP25M#	HAP30M# HAP35M# HAP40M#	HAM35M#	HAM40M#
P	P1		●	●	●	210 - 350	180 - 310	---	200 - 310
	P2		●	●	●	170 - 300	160 - 240	---	160 - 265
	P3		●	●	●	140 - 230	120 - 190	---	130 - 205
	P4		●	●	●	120 - 190	110 - 180	---	120 - 180
	P5		●	●	●	140 - 240	120 - 205	---	130 - 220
M	M1		●	●	●	100 - 180	---	120 - 215	110 - 190
	M2		●	●	●	70 - 130	---	80 - 155	70 - 145
K	K1		●	●		200 - 340	---	---	---
	K2		●	●		130 - 220	---	---	---
	K3		●	●		160 - 255	---	---	---
N	N1			●	●	---	---	---	---
	N2			●	●	---	---	---	---
	N3			●	●	---	---	---	---
	N4			●	●	---	---	---	---
S	S1			●	●	---	---	70 - 115	55 - 95
	S2			●	●	---	---	35 - 55	25 - 50
	S3			●	●	---	---	50 - 125	30 - 90
	S4			●	●	---	---	30 - 100	25 - 65
H	H1	45 - 54 HRC	●	●		---	---	100 - 150	---
	H2	55 - 63 HRC	●	●		---	---	80 - 130	---
	H3	64 - 66 HRC	●	●		---	---	---	---
	H4	50 - 60 HRC	●	●		---	---	90 - 140	---

$V_c = \text{m/min}$



Schnittdaten $v_c$ [m/min] Cutting data $v_c$ [m/min]					
	HAK15M# HAK20M#	HAS35M# HAS40M#	HAH03M# HAH13M# HAH23M#	HAH05M# HAH10M#	HAH30M#
	220 - 335	---	280 - 500	260 - 440	230 - 380
	190 - 290	---	240 - 450	220 - 400	200 - 350
	150 - 230	---	200 - 400	180 - 360	170 - 320
	---	---	---	---	---
	140 - 240	---	190 - 410	170 - 370	160 - 330
	---	100 - 180	---	---	---
	---	70 - 130	---	---	---
	220 - 410	---	320 - 560	280 - 490	220 - 420
	150 - 230	---	180 - 380	160 - 310	140 - 240
	170 - 290	---	230 - 410	220 - 330	200 - 310
	---	---	---	---	---
	---	---	---	---	---
	---	---	---	---	---
	---	---	---	---	---
	---	65 - 100	---	---	---
	---	30 - 70	---	---	---
	---	40 - 115	---	---	---
	---	30 - 90	---	---	---
	100 - 150	---	120 - 240	110 - 190	100 - 165
	80 - 130	---	100 - 180	90 - 155	80 - 140
	---	---	80 - 155	70 - 130	---
	90 - 140	---	110 - 190	100 - 180	90 - 150

$V_c = m/min$







[heikenei.com](http://heikenei.com)

**HEIKENEI**<sup>®</sup>

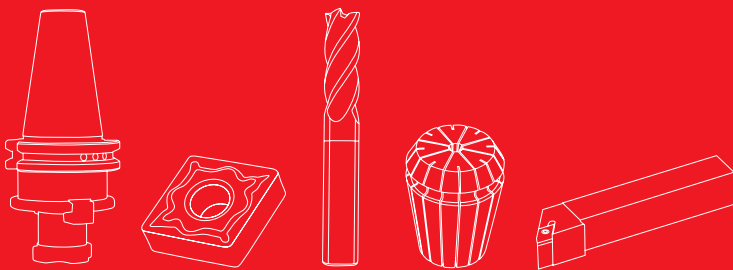
wir produzieren industrielle lösungen

Our competent employees will be happy to advise you and support you in the implementation of your projects.

**CONTACT US NOW!**

Unsere kompetenten Mitarbeiter beraten Sie gerne und unterstützen Sie bei der Umsetzung Ihrer Projekte.

**KONTAKTIEREN SIE UNS JETZT!**



[heikenei.com](http://heikenei.com)

[info@heikenei.com](mailto:info@heikenei.com)

